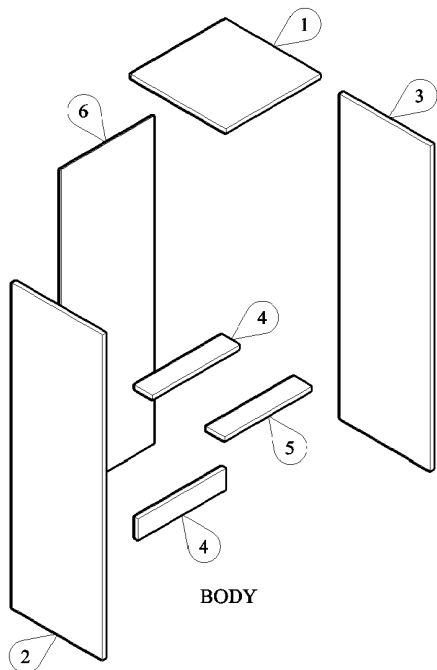
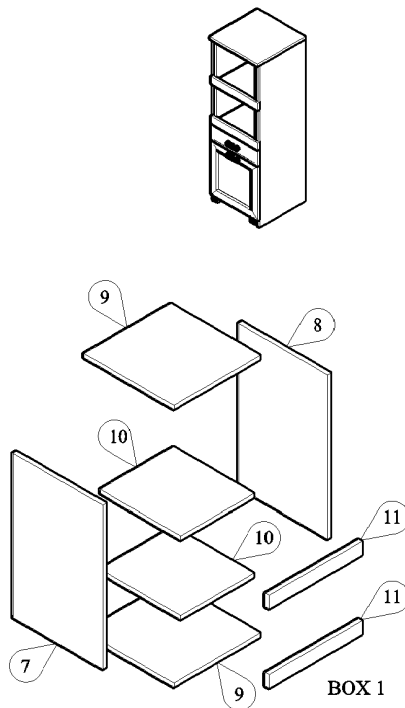


# MODEL : SE KC 013WI-DG/HO

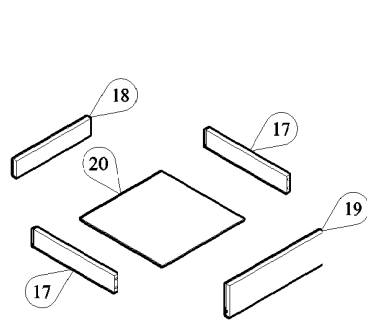
PANEL POSITION



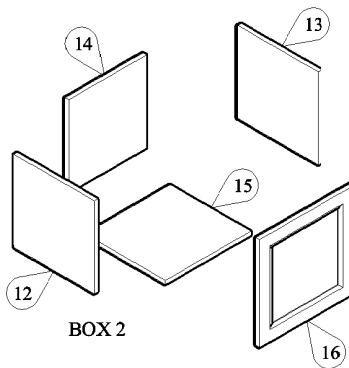
BODY



BOX 1

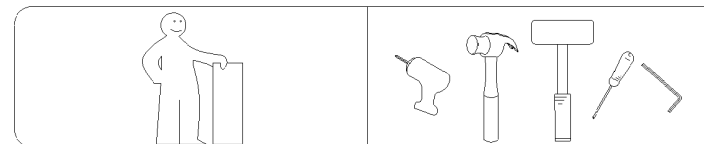
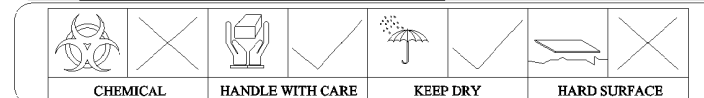


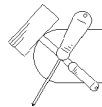
DRAWER



BOX 2

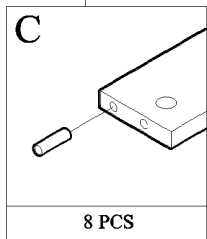
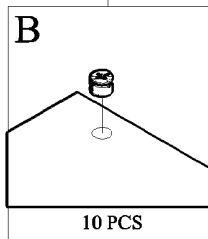
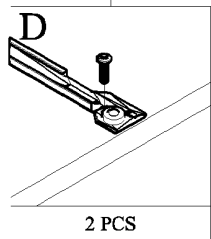
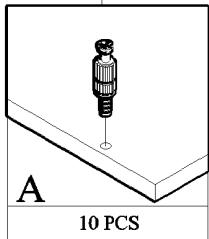
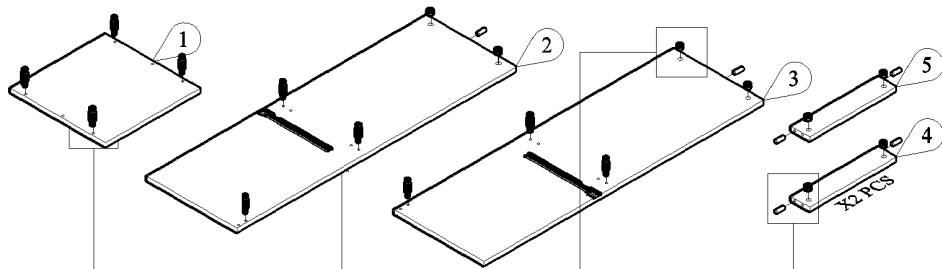
	ACCESSORIES	QUANTITY
A	MINIFIX M5 x 24MM	22 PCS
B	MINIFIX CASING	22 PCS
C	WOOD DOWEL M8 x 30MM	26 PCS
D	DRAWER SLIDE 14" SCREW M3.5 x 12MM	3 PCS 36 PCS
E	CPWOOD SCREW M6 x 50MM	4 PCS
F	SCREW M4 x 38MM	4 PCS
G	POWER PIN	35 PCS
H	WHITE PIN LEG	4 PCS
I	PLATE CASTER SCREW M3.5 x 16MM	4 PCS 16 PCS
J	PVC HANDLE SCREW M4 x 25MM	2 PCS 4 PCS
K	PVC DOOR HOLDER SCREW M3.5 x 16MM	4 PCS 4 PCS
L	ALLEN KEY (M4)	1 PC
M	L-BRACKET SCREW M3.5 x 16MM	1 PC 1 PC
N	WALL PLUG	1 PC
O	SCREW M4 x 25MM	1 PC



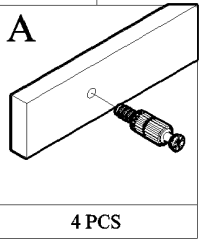
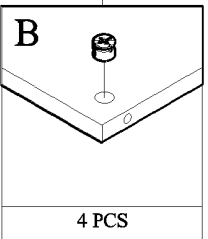
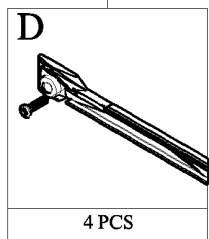
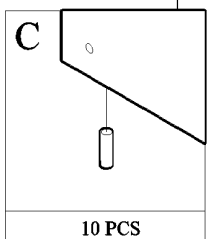
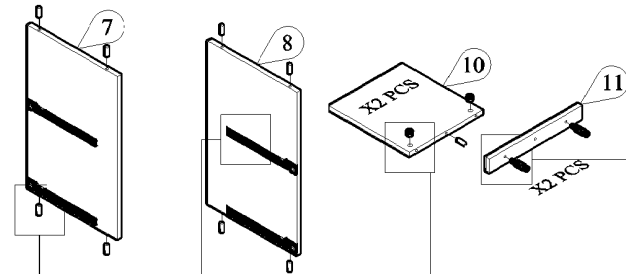


# START ASSEMBLY

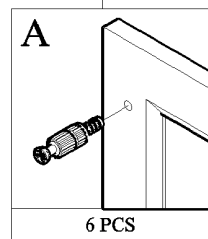
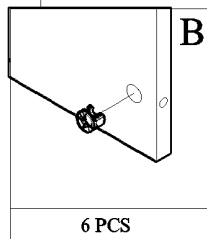
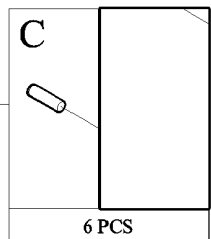
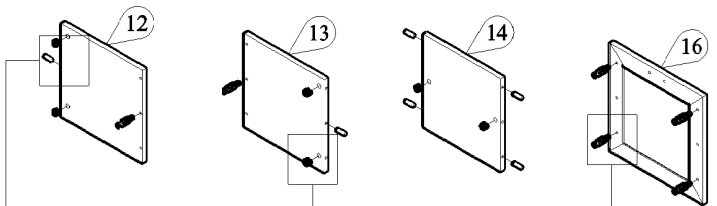
## STEP 1



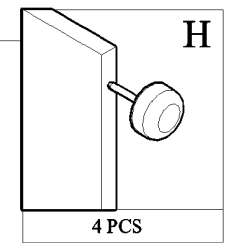
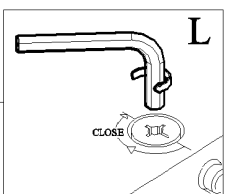
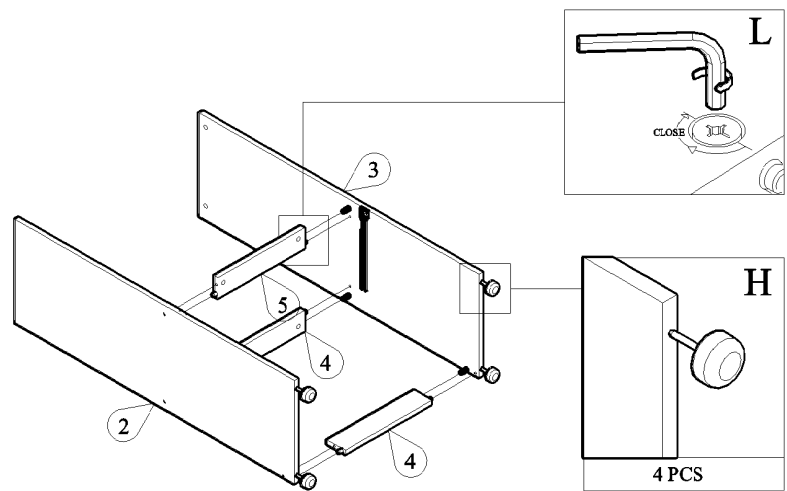
## STEP 2



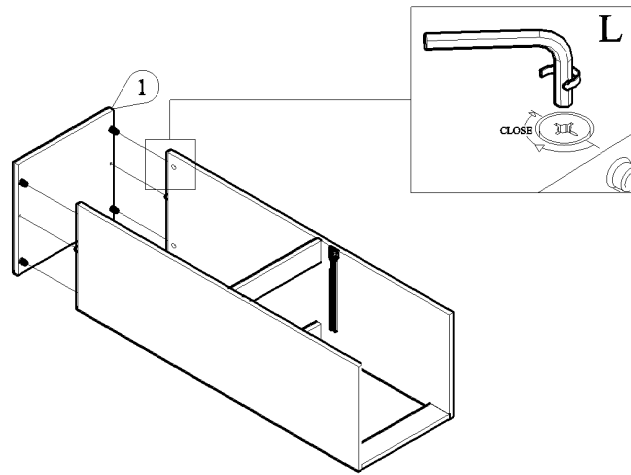
## STEP 3



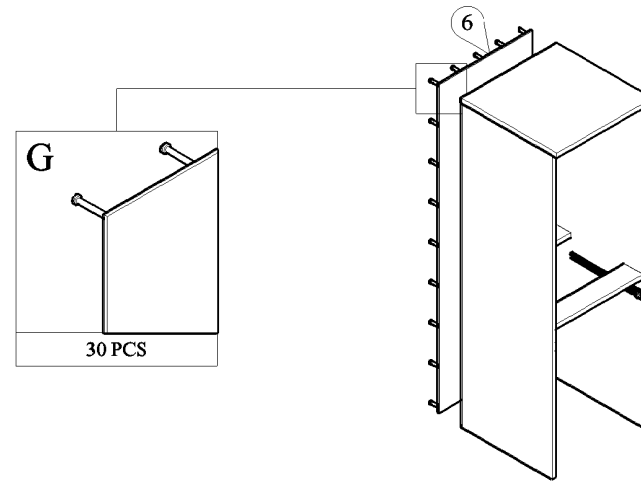
## STEP 4



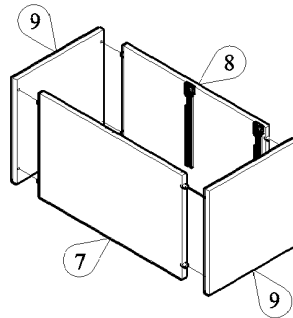
STEP 5



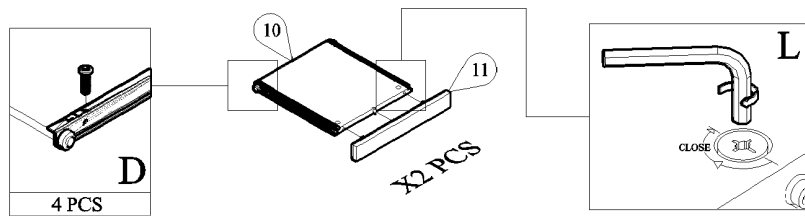
STEP 6



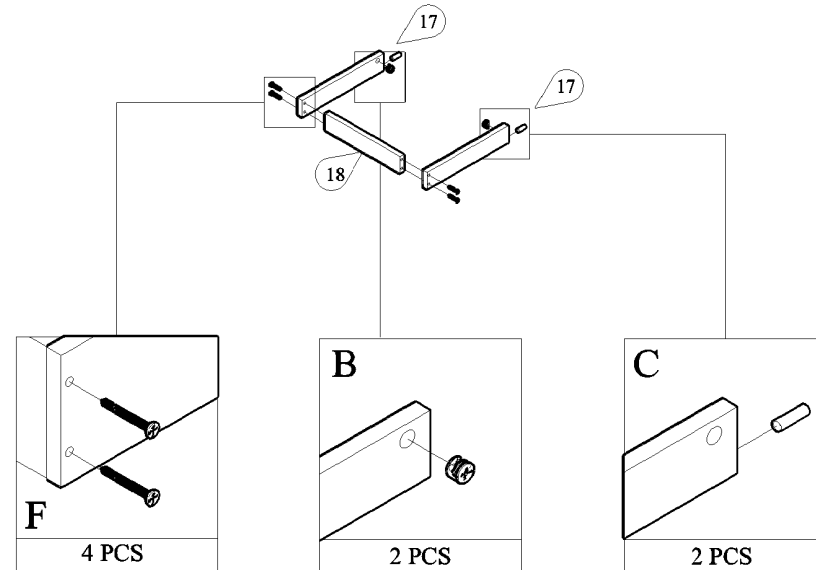
STEP 7



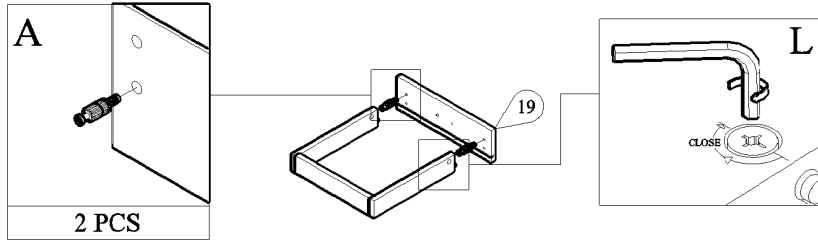
STEP 8



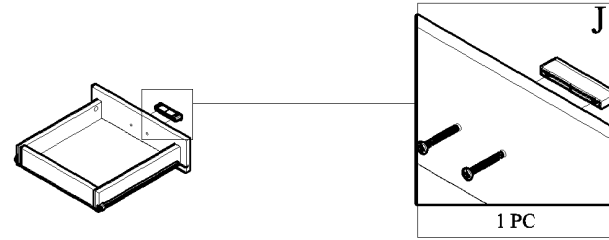
STEP 9



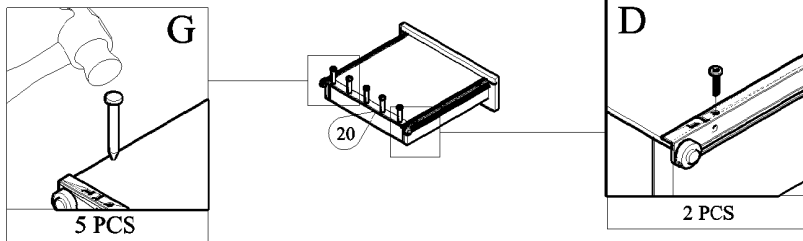
STEP 10



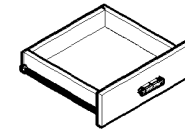
STEP 12



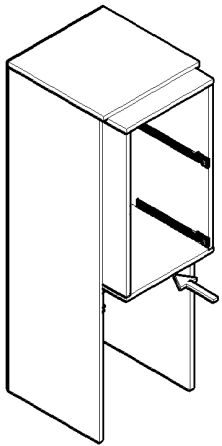
STEP 11



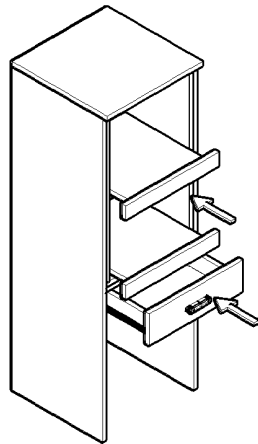
COMPLETED DRAWER



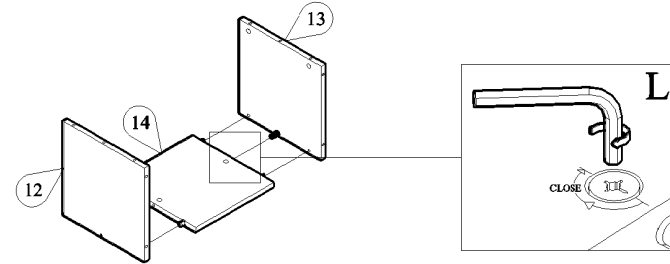
STEP 13



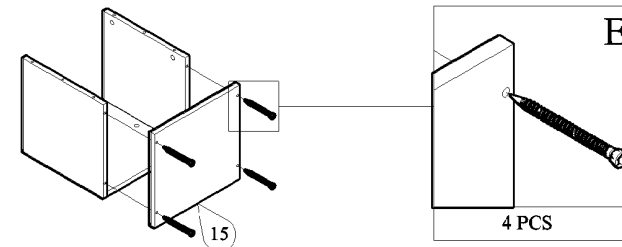
STEP 14



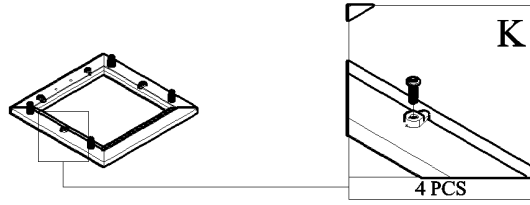
STEP 15



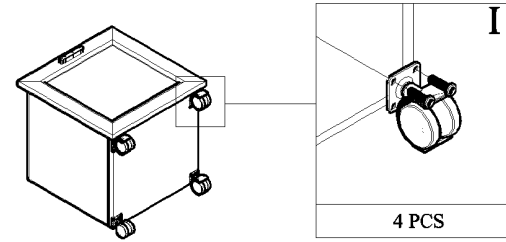
STEP 16



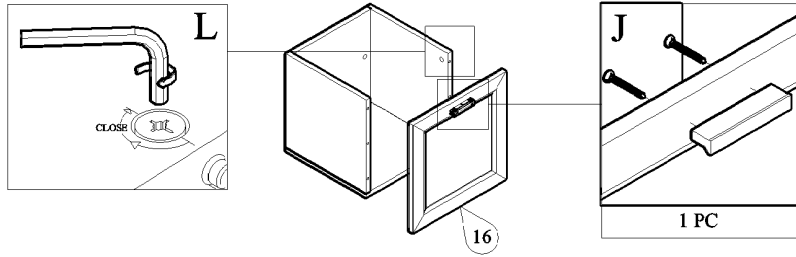
STEP 17



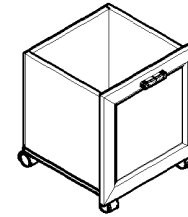
STEP 19



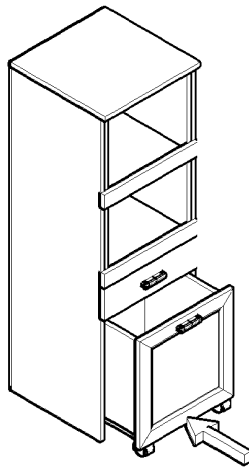
STEP 18



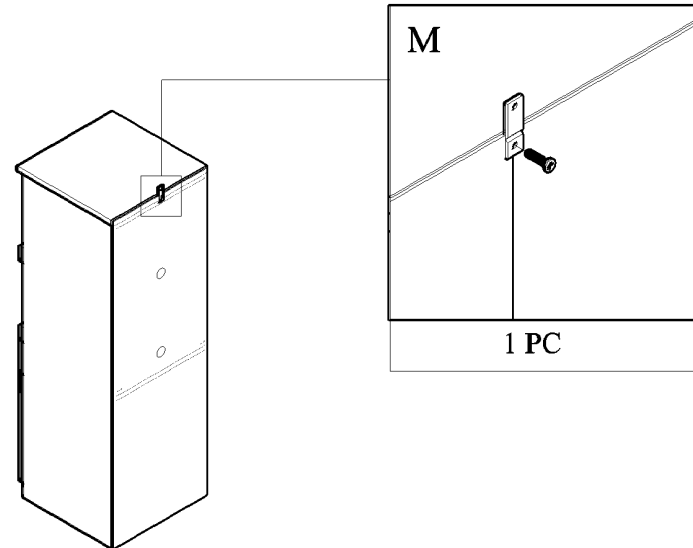
COMPLETED DRAWER BOX



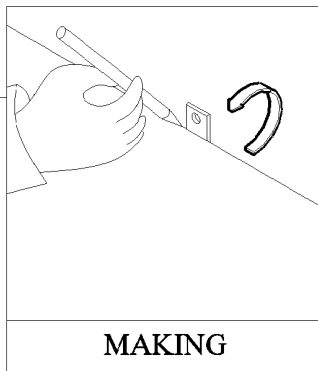
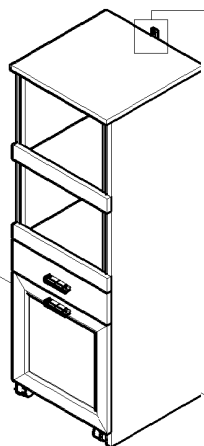
STEP 20



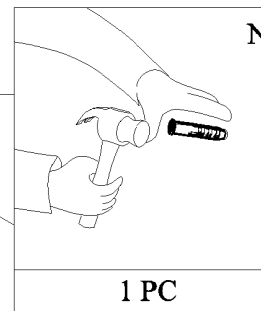
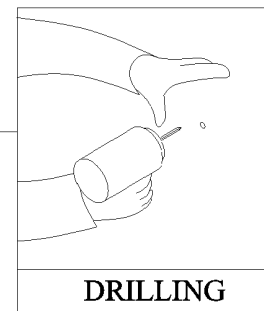
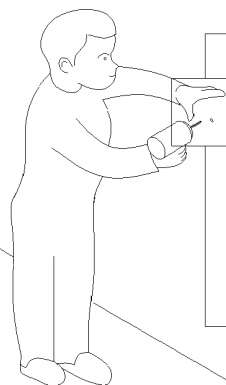
STEP 21



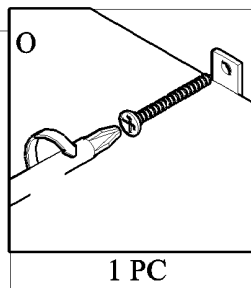
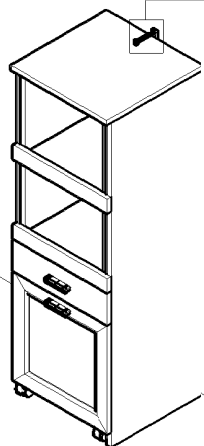
STEP 22



STEP 23



STEP 24



COMPLETED

