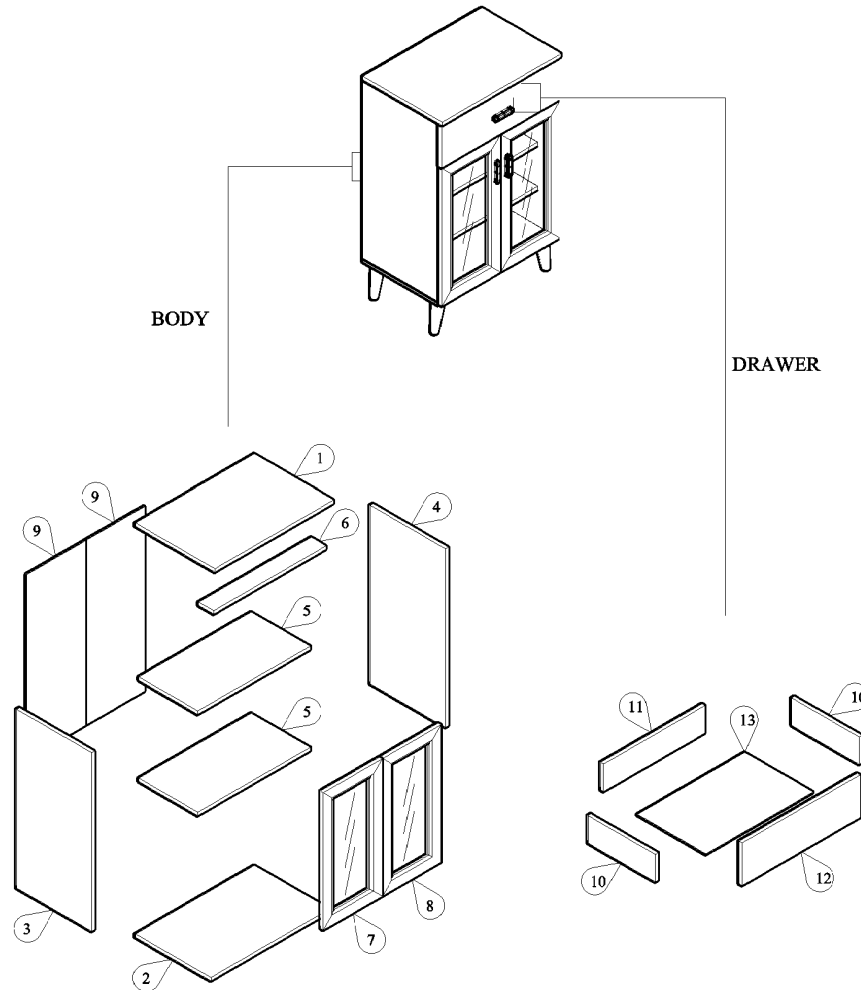


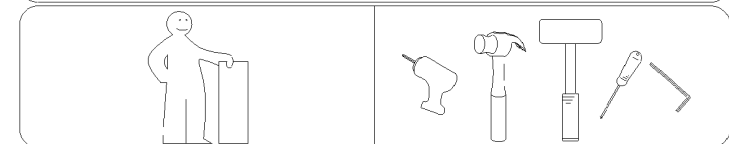
# MODEL : SE KC 012WI-DG/HO

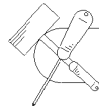
PANEL POSITION



	ACCESSORIES	QUANTITY
A	MINIFIX M5 x 24MM	8 PCS
B	MINIFIX CASING	8 PCS
C	WOOD DOWEL M8 x 30MM	8 PCS
D	DRAWER SLIDE 14" SCREW M3.5 x 12MM	1 PC 12 PCS
E	IRON SHELF SUPPORT	8 PCS
F	CPWOOD SCREW M6 x 50MM	4 PCS
G	SCREW M4 x 38MM	4 PCS
H	ROUND TAPER LEG SCREW M3.5 x 16MM	4 PCS 16 PCS
I	POWER PIN	40 PCS
J	PVC "H" RAIL	1 PC
K	HINGERS 5/8" SCREW M3.5 x 16MM	4 PCS 24 PCS
L	PVC HANDLE SCREW M4 x 25MM	3 PCS 6 PCS
M	PVC DOOR HOLDER SCREW M3.5 x 16MM	8 PCS 8 PCS
N	ALLEN KEY (M4)	1 PC
O	L-BRACKET SCREW M3.5 x 16MM	1 PC 1 PC
P	WALL PLUG	1 PC
Q	SCREW M4 x 25MM	1 PC

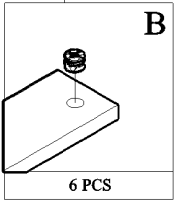
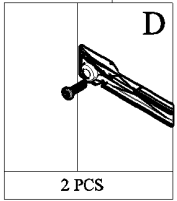
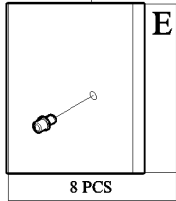
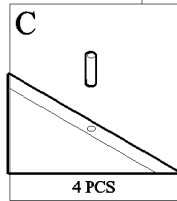
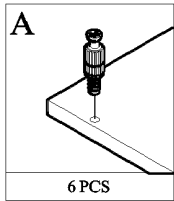
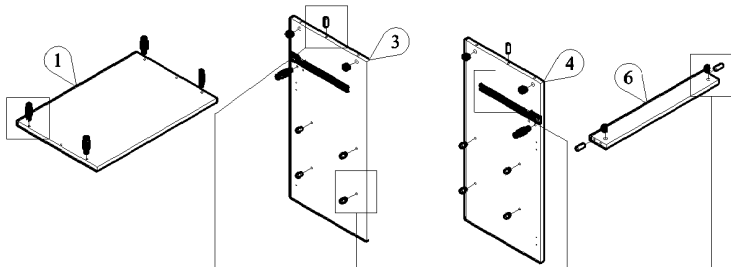
CHEMICAL	HANDLE WITH CARE	KEEP DRY	HARD SURFACE				



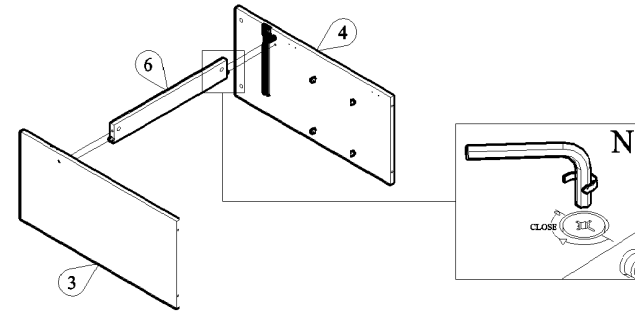


# START ASSEMBLY

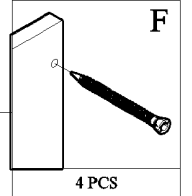
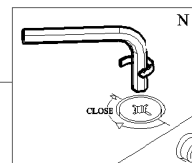
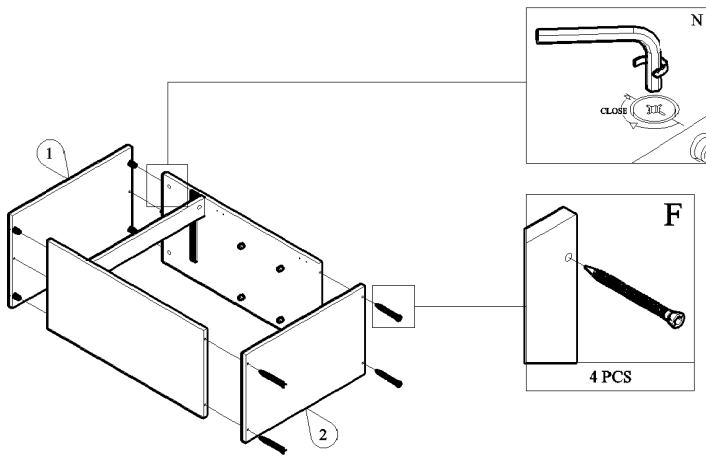
## STEP 1



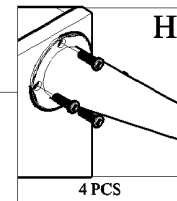
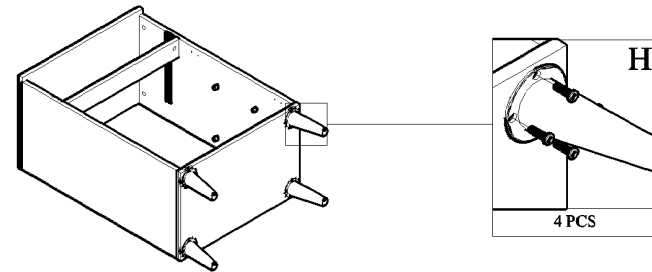
## STEP 2



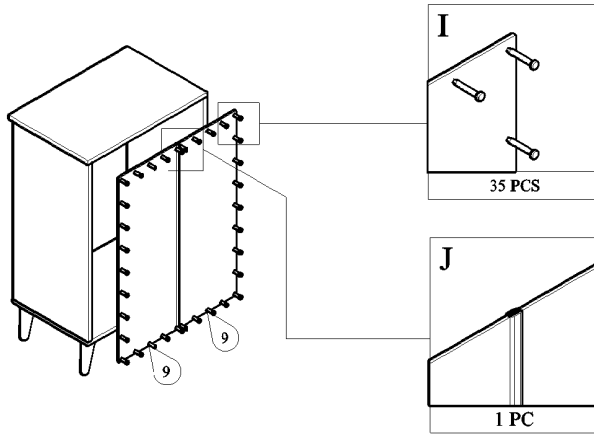
## STEP 3



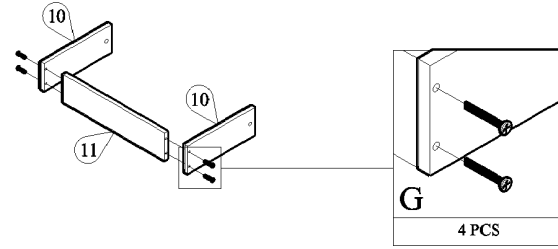
## STEP 4



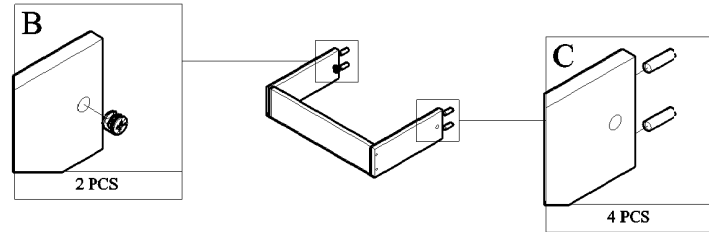
STEP 5



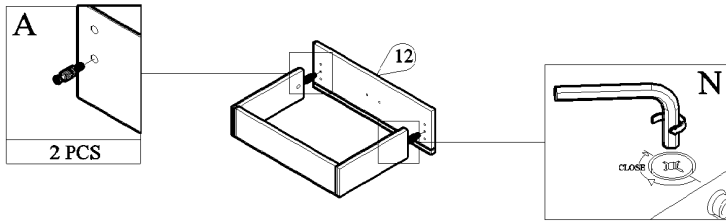
STEP 6 DRAWER



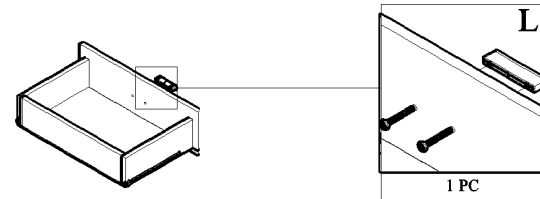
STEP 7



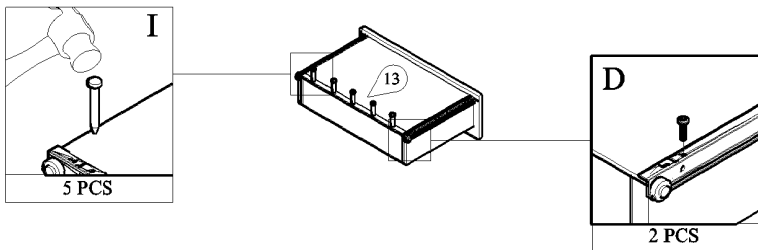
STEP 8



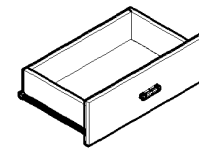
STEP 10



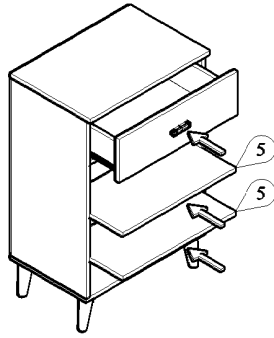
STEP 9



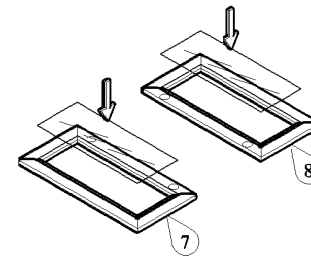
COMPLETED DRAWER



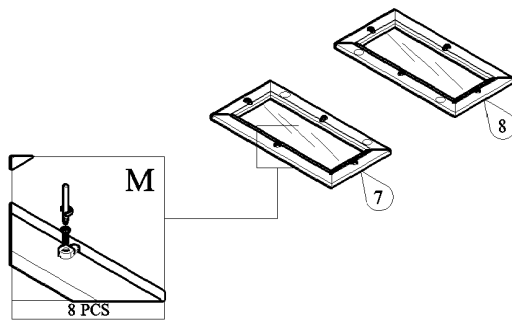
STEP 11



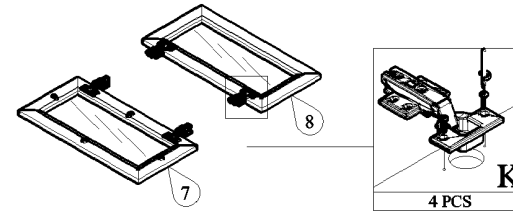
STEP 12



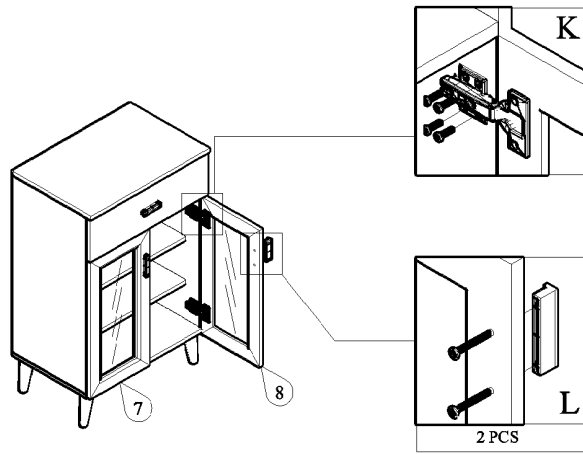
STEP 13



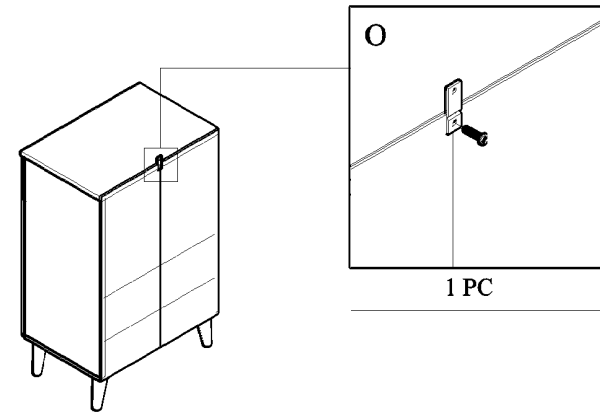
STEP 14



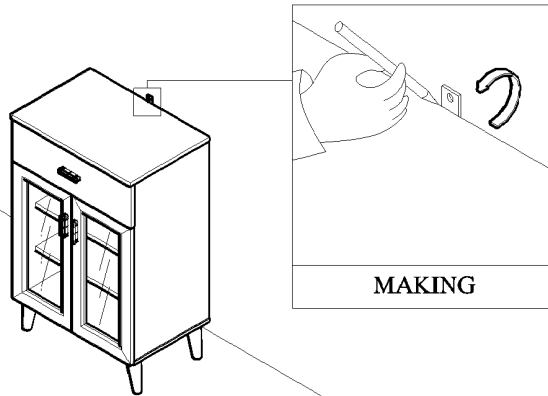
STEP 15



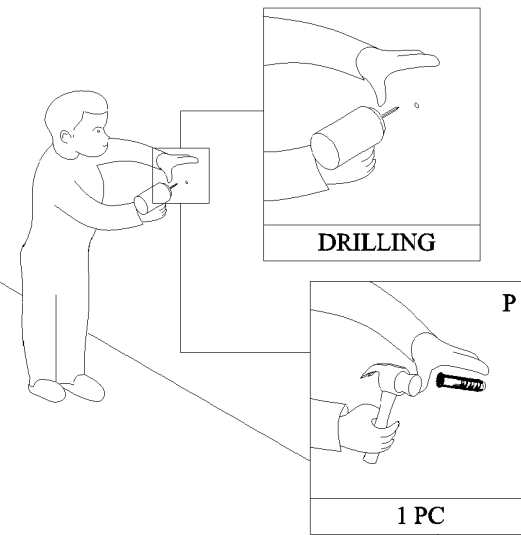
STEP 16



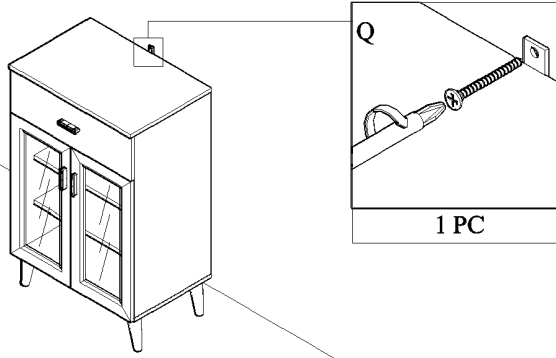
STEP 17



STEP 18



STEP 19



COMPLETED

