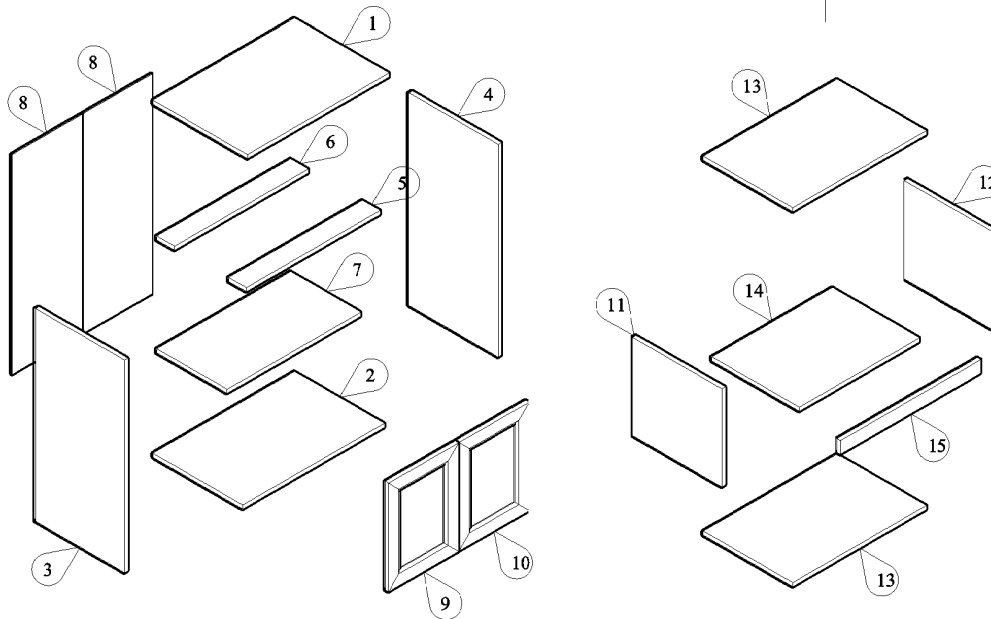
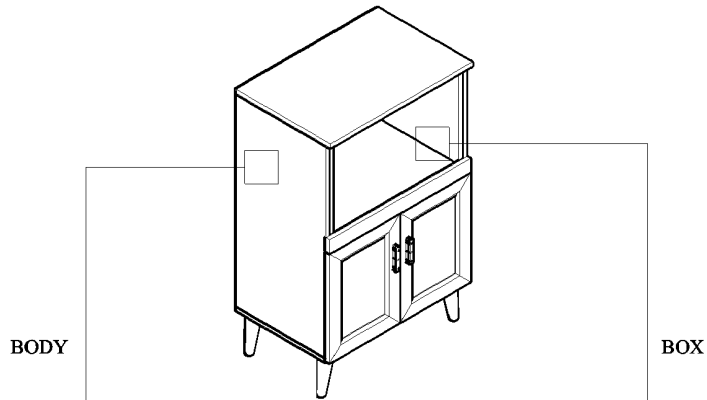
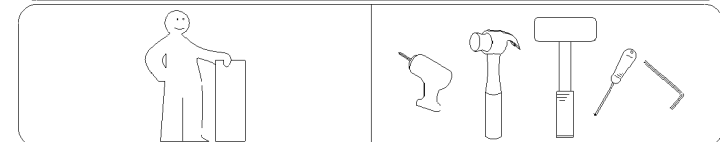


MODEL : SE KC 011WI-DG/HO

PANEL POSITION



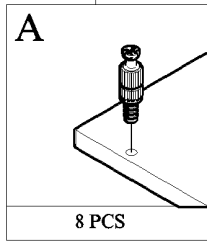
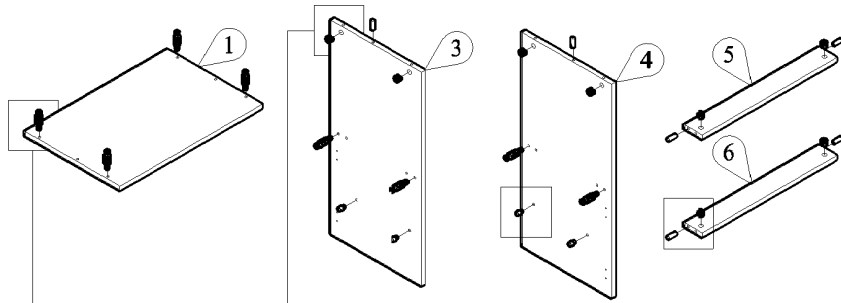
	ACCESSORIES	QUANTITY
A	MINIFIX M5 x 24MM	10 PCS
B	MINIFIX CASING	10 PCS
C	WOOD DOWEL M8 x 30MM	15 PCS
D	DRAWER SLIDE 14" SCREW M3.5 x 12MM	1 SET 12 PCS
E	IRON SHELF SUPPORT	4 PCS
F	CPWOOD SCREW M6 x 50MM	4 PCS
G	POWER PIN	35 PCS
H	PVC "H" RAIL	1 PC
I	ROUND TAPER LEG SCREW M3.5 x 16MM	4 PCS 16 PCS
J	PVC HANDLE SCREW M4 x 25MM	2 PCS 4 PCS
K	HINGES 5/8" SCREW M3.5 x 16MM	4 PCS 24 PCS
L	PVC DOOR HOLDER SCREW M3.5 x 16MM	8 PCS 8 PCS
M	ALLEN KEY (M4)	1 PC
N	L-BRACKET SCREW M3.5 x 16MM	1 PC 1 PC
O	WALL PLUG	1 PC
P	SCREW 4 x 25MM	1 PC



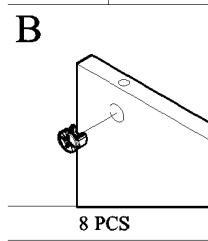


START ASSEMBLY

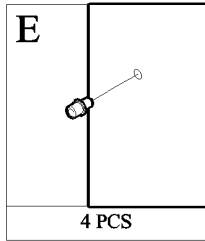
STEP 1



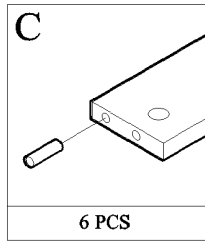
8 PCS



8 PCS

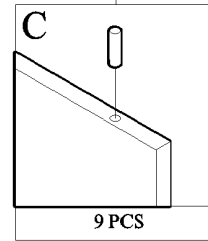
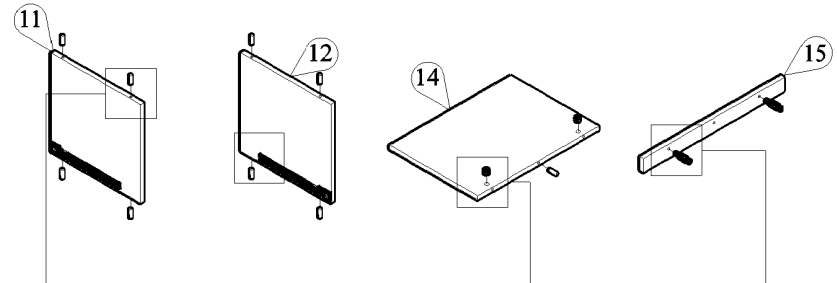


4 PCS

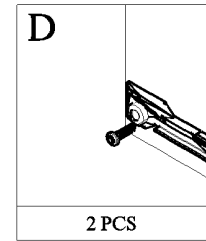


6 PCS

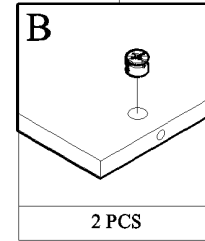
STEP 2



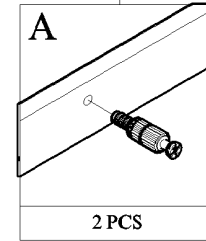
9 PCS



2 PCS

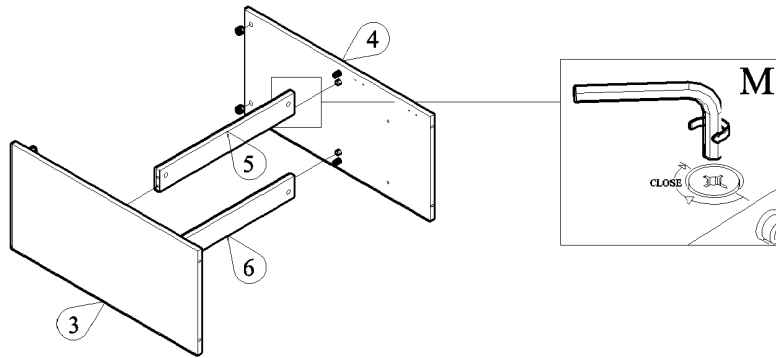


2 PCS

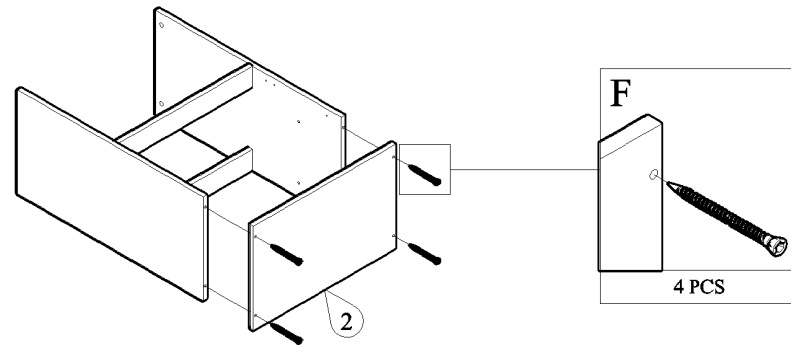


2 PCS

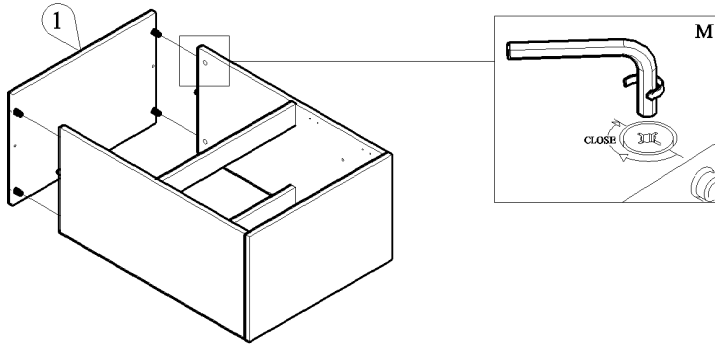
STEP 3



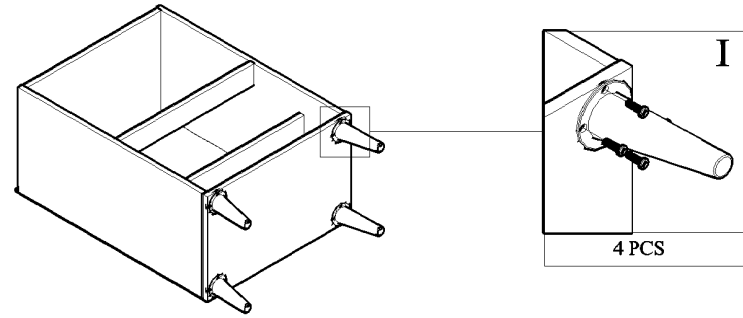
STEP 4



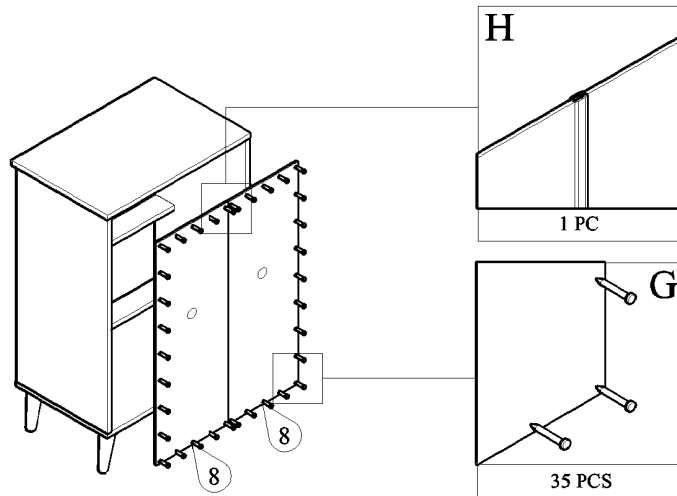
STEP 5



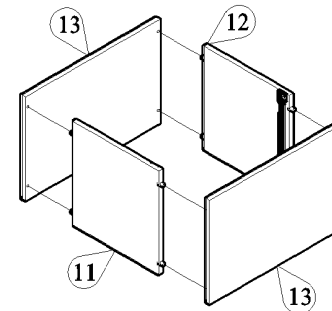
STEP 6



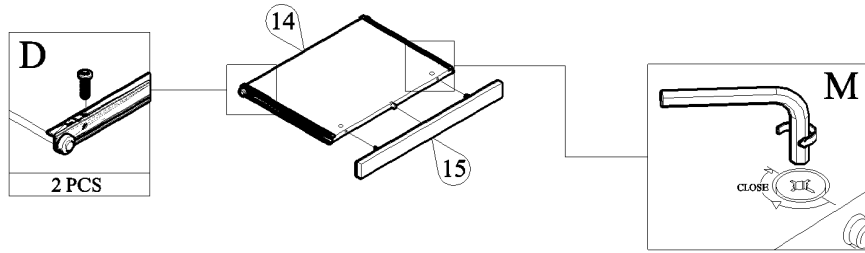
STEP 7



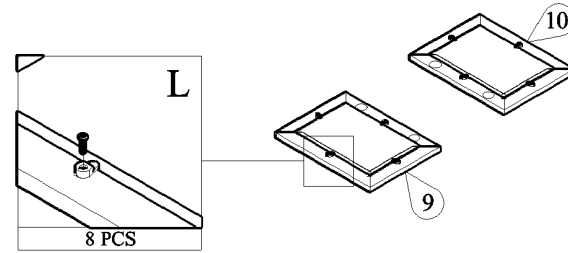
STEP 8



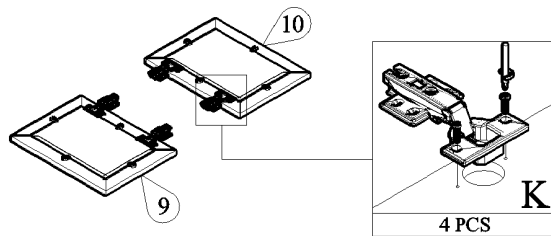
STEP 9



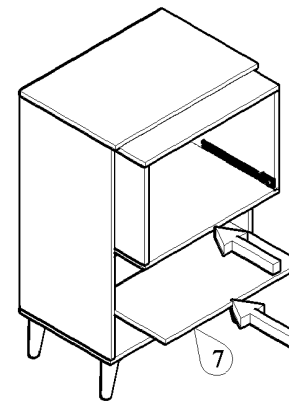
STEP 10



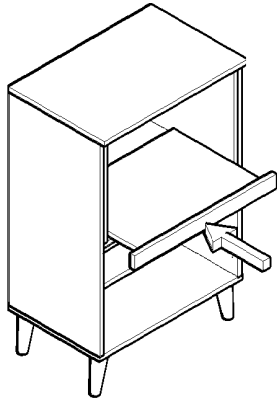
STEP 11



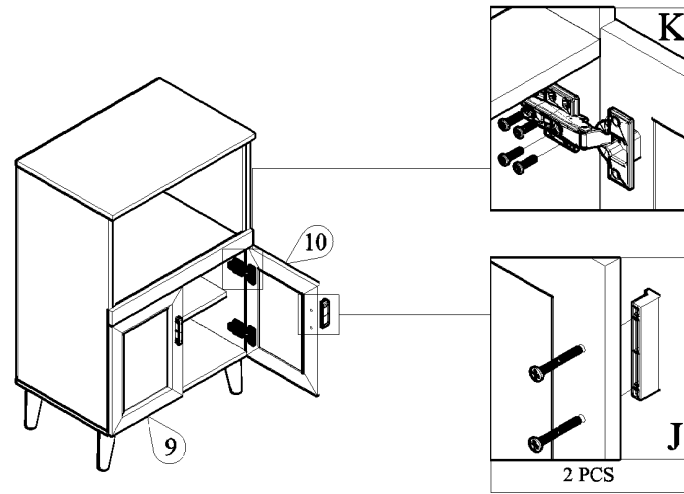
STEP 12



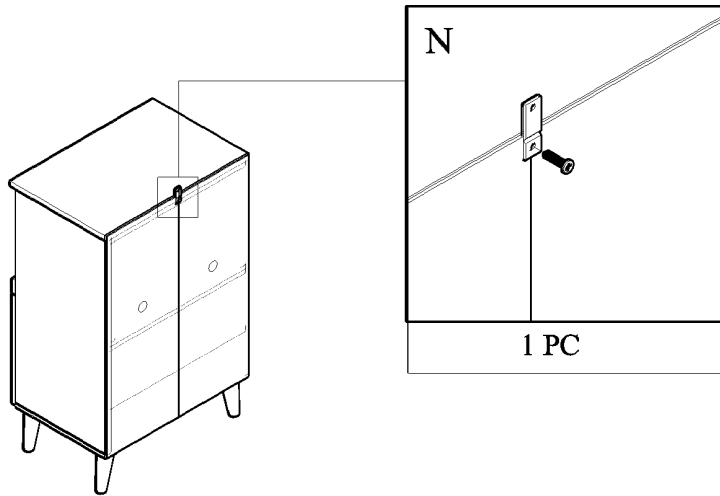
STEP 13



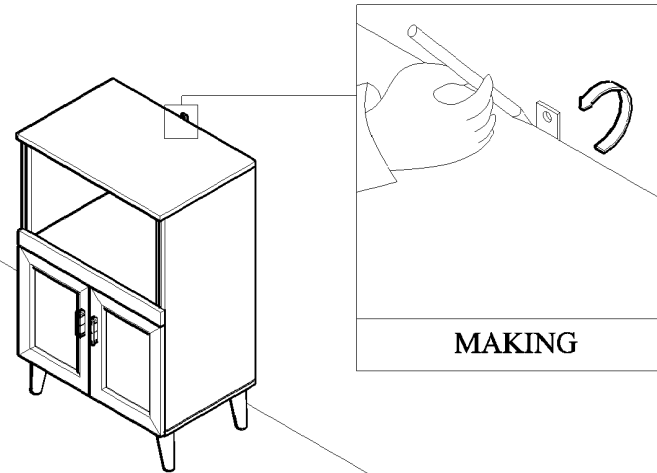
STEP 14



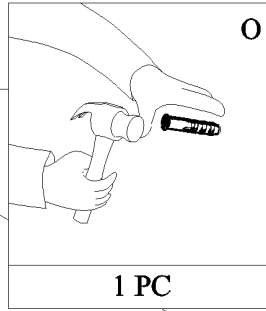
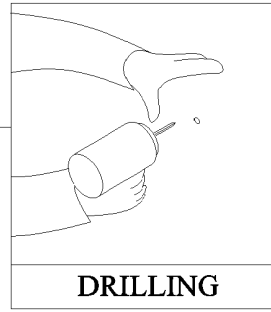
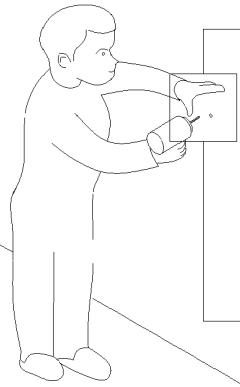
STEP 15



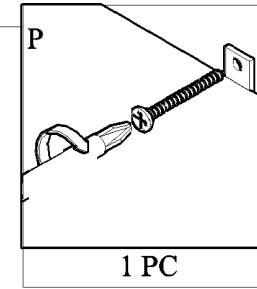
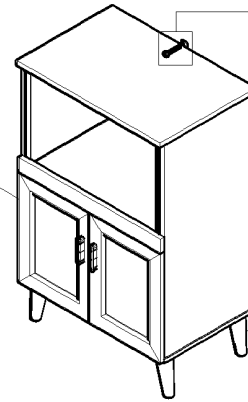
STEP 16



STEP 17



STEP 18



COMPLETED

