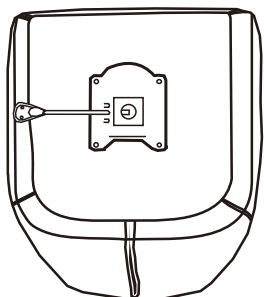


ASSEMBLY INSTRUCTIONS

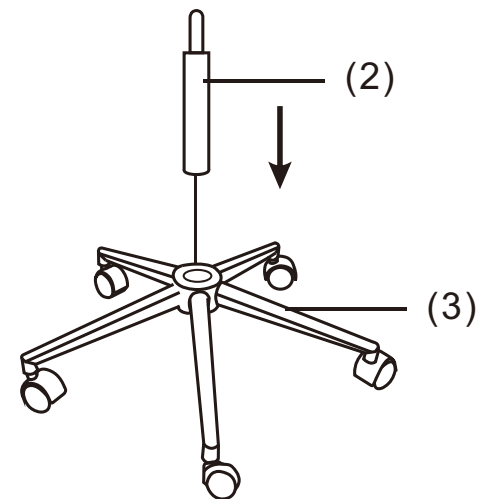
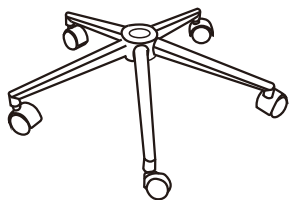
1X1



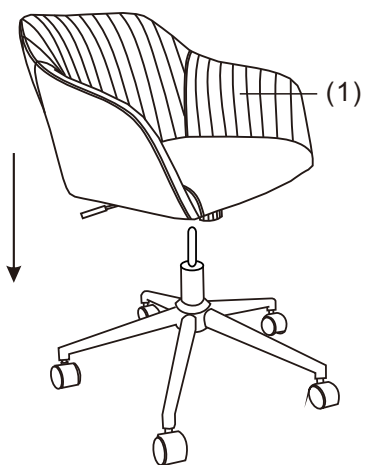
2X1



3X1



②



③

