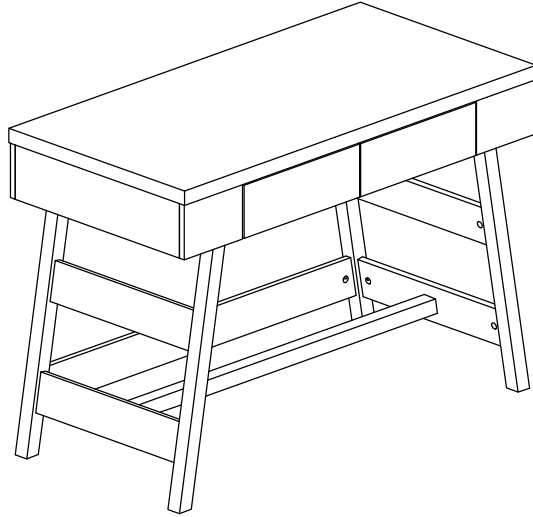
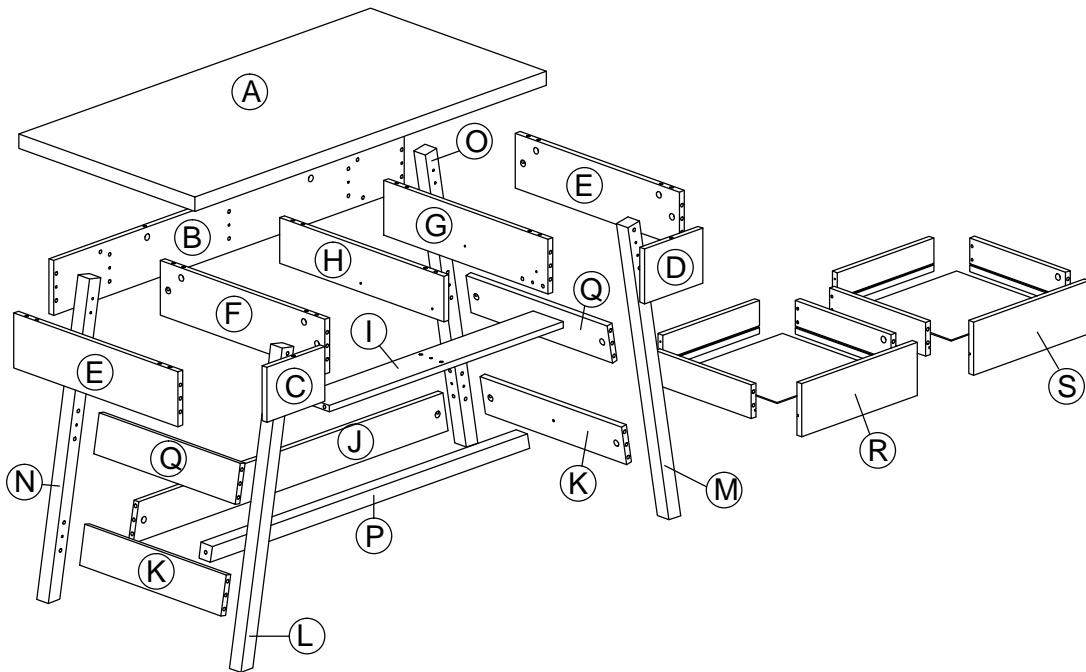


Assembly Instruction

Model : SD - 12



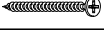






Part List



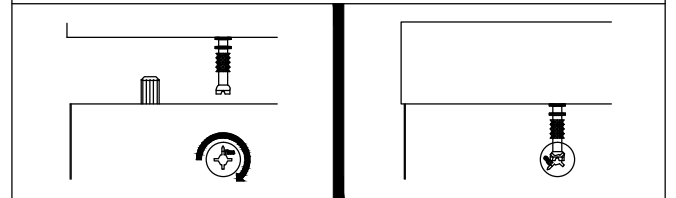
Assembly Instruction

Hardware List

No.	SHAPE	DESCRIPTION	Qty.
1		8x25mm Wood Dowel	66Pcs
2		15MM Titus Mini Fix	39Sets
3		Minifix Cap	14Pcs
4		M3.5x15mm Screw	8Pcs
5		M4x38mm Screw	11Pcs
6		M4x50mm Screw	8Pcs

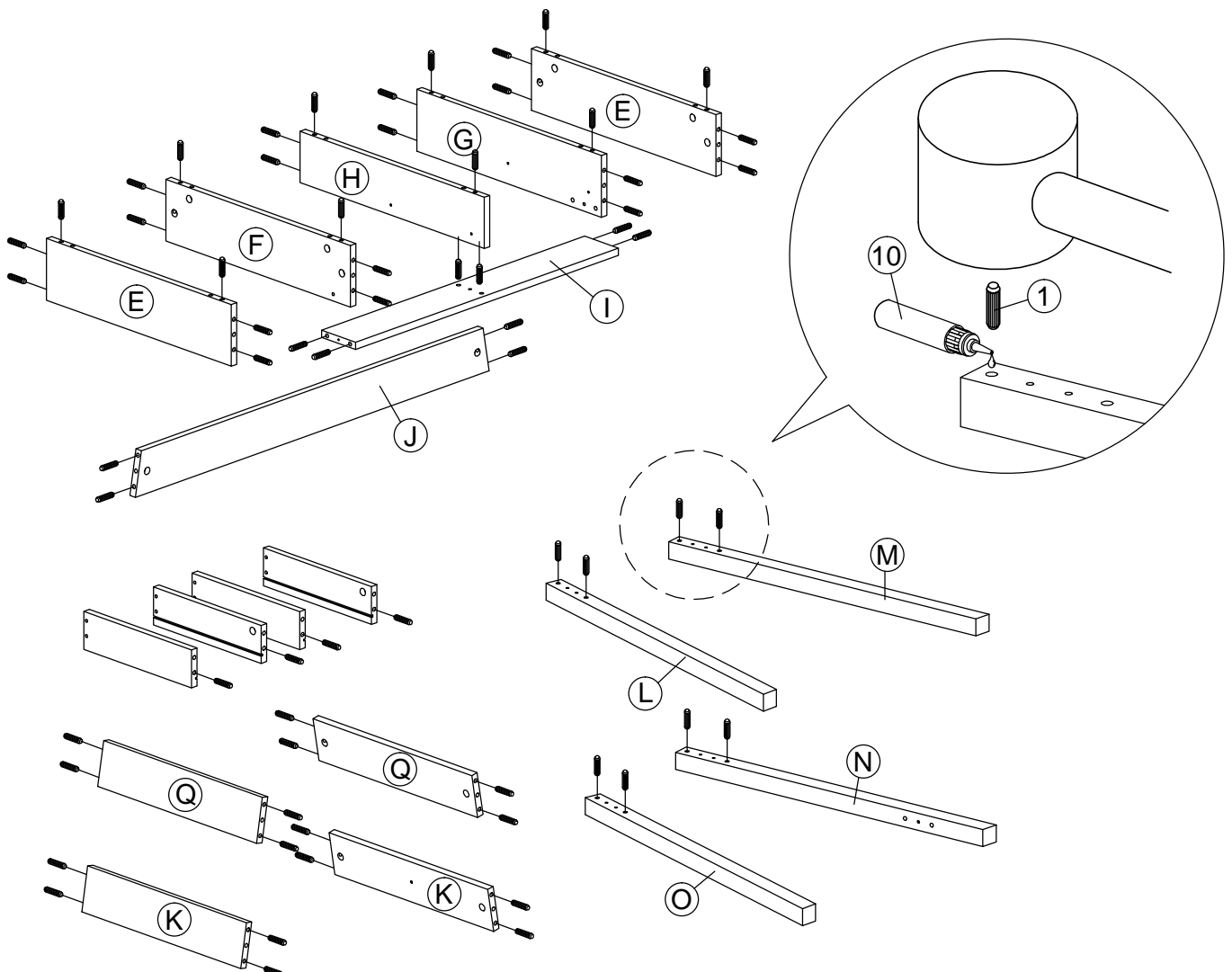
7		Drawer Slide (300mm)	2Sets
8		Nail Leg	4Pcs
9		M5x8mm Screw (Euro Screw)	8Pcs
10		Glue	1Pc

Dowel / Cam - Lock Installation



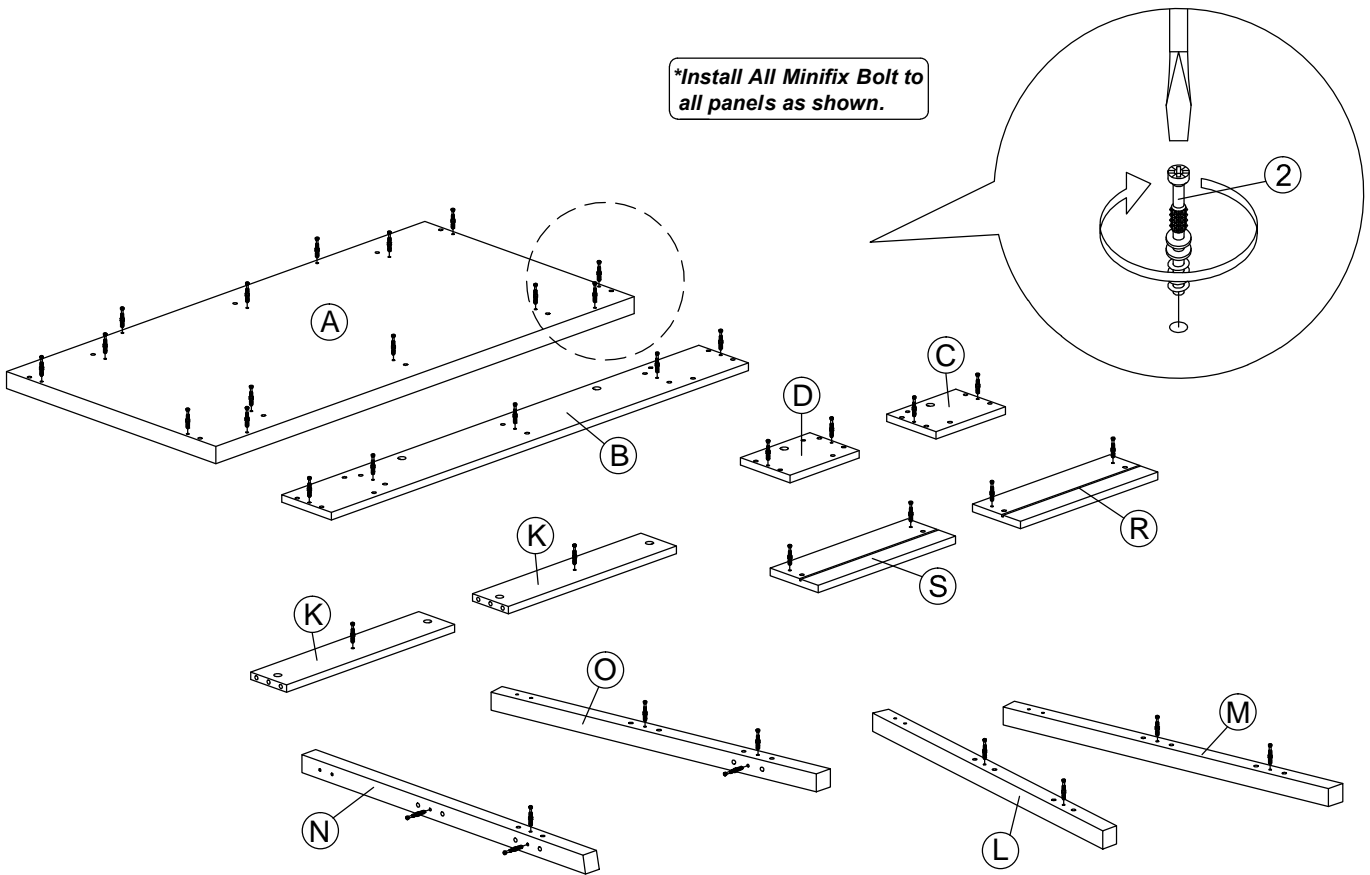
STEP 1

*Install all 8x25mm Wood Dowel into all panels as shown.

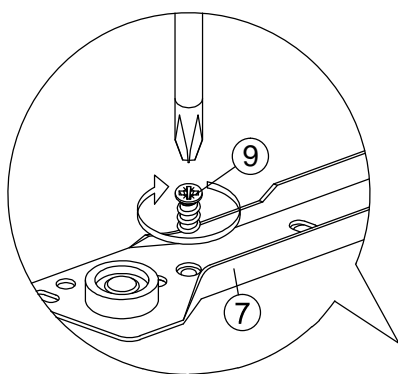


Assembly Instruction

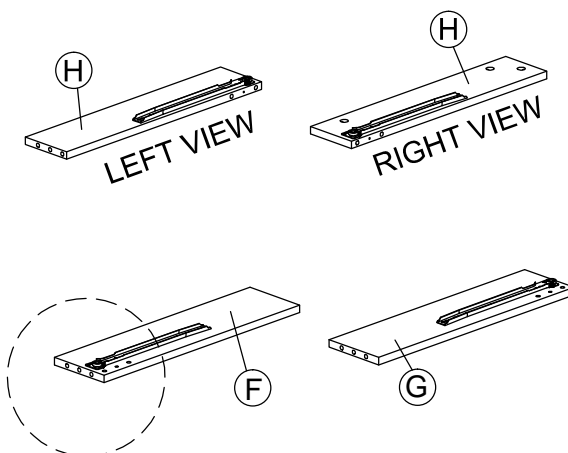
STEP 2



STEP 3

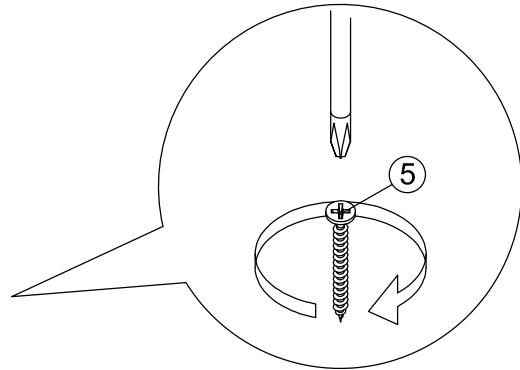
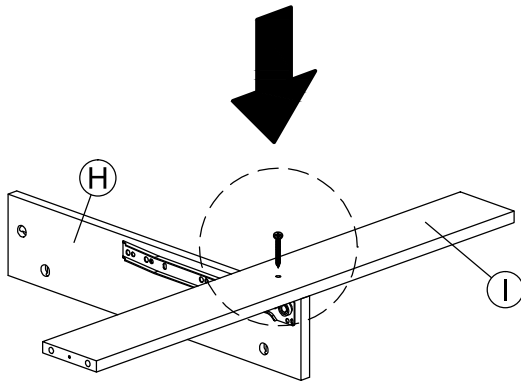


***Install 2 sets Drawer Slide to panels (F),(G) & (H) with screw as shown.**



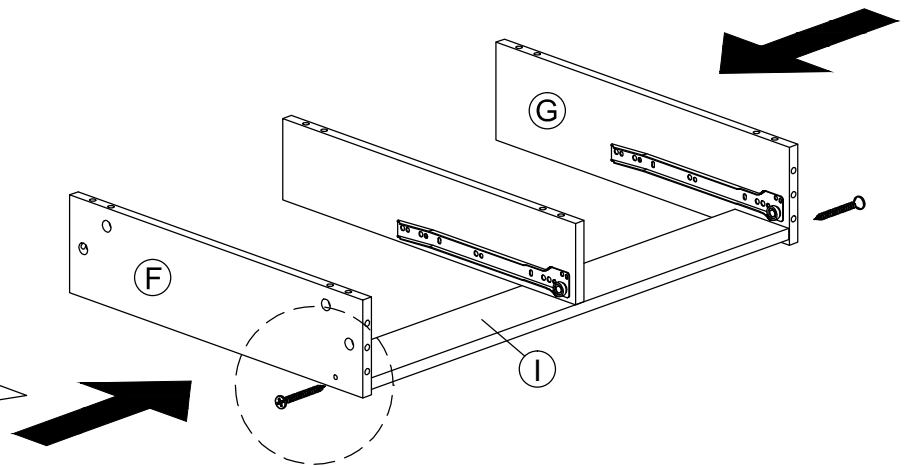
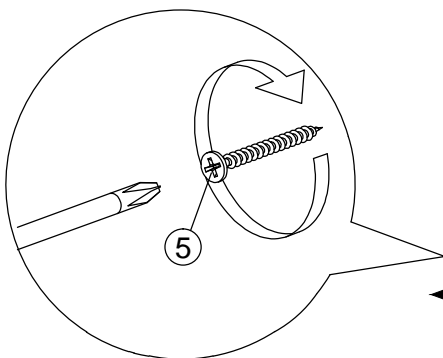
Assembly Instruction

STEP 4



**Assemble panels (H) & (I),
secure with screw as shown.*

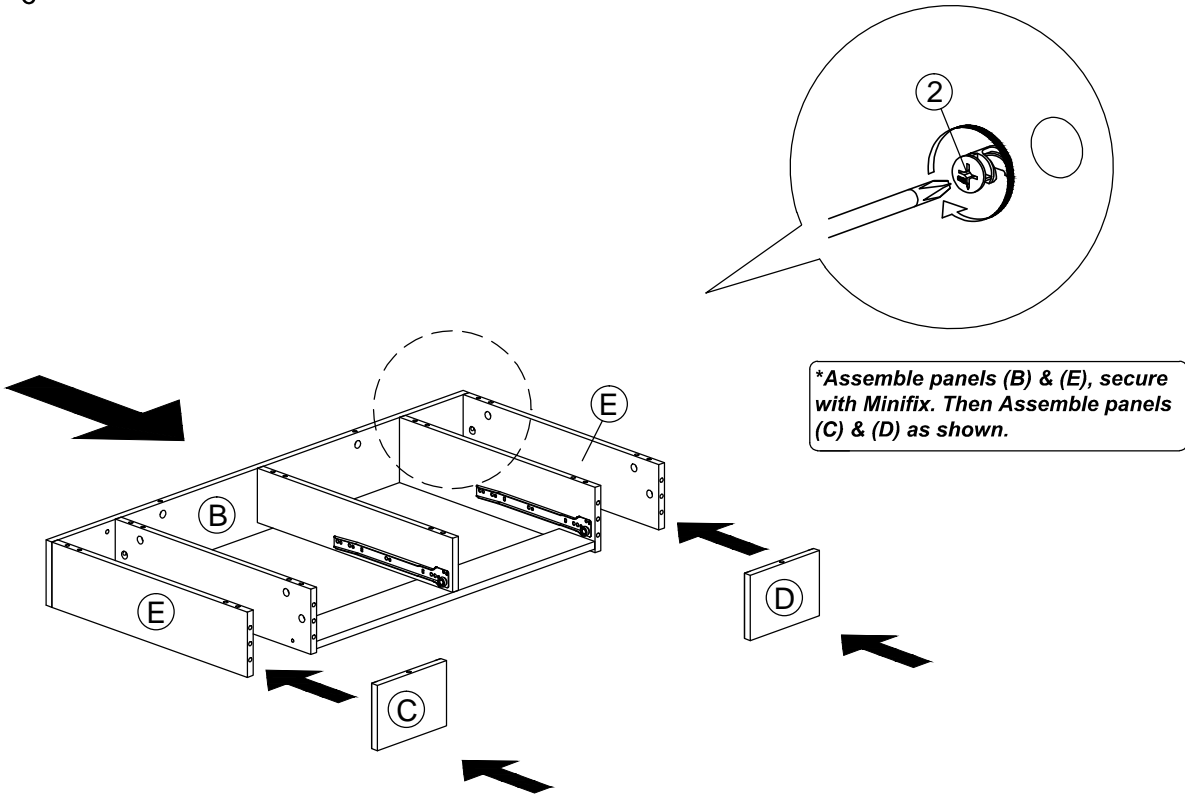
STEP 5



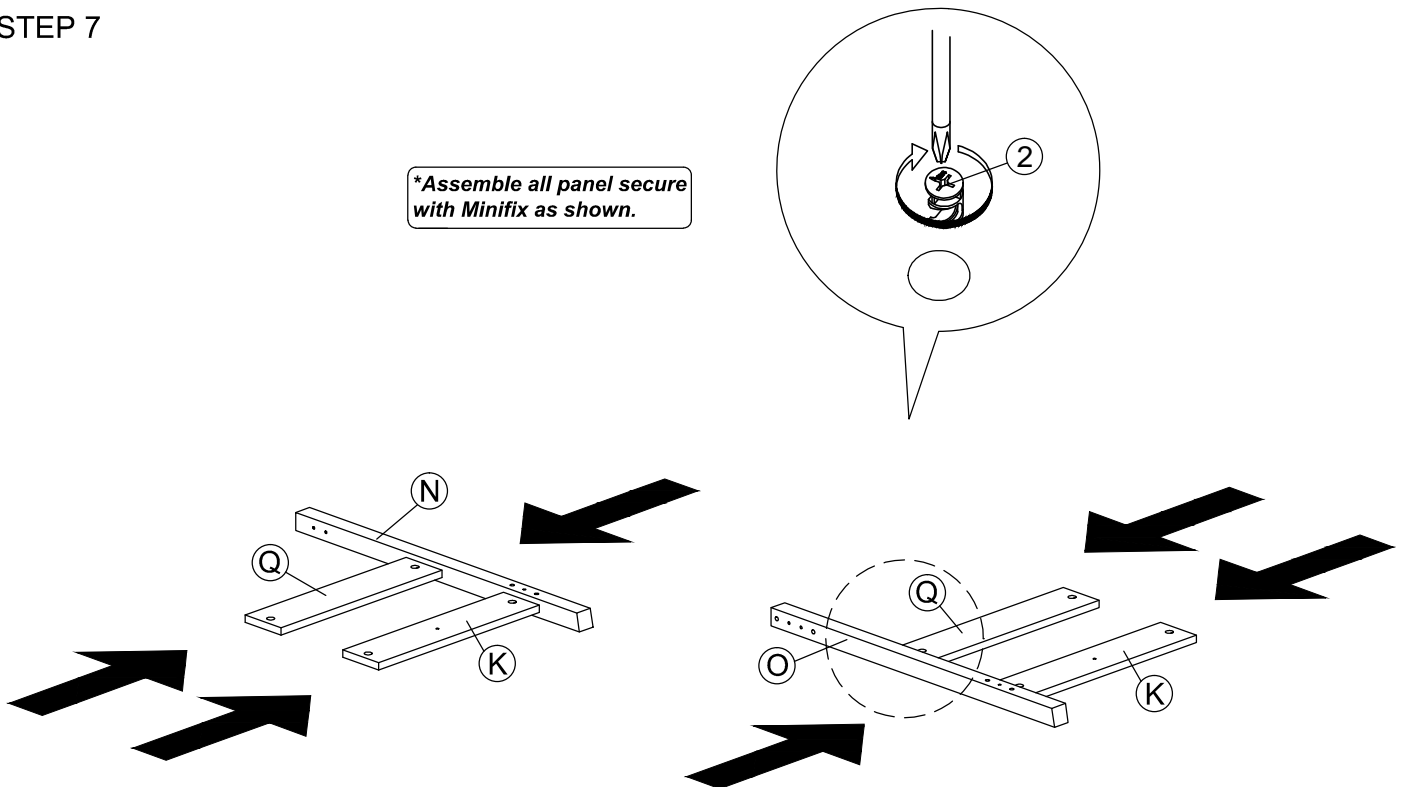
**Assemble panel (F) & (G) to panel (I),
secure with screw as shown.*

Assembly Instruction

STEP 6

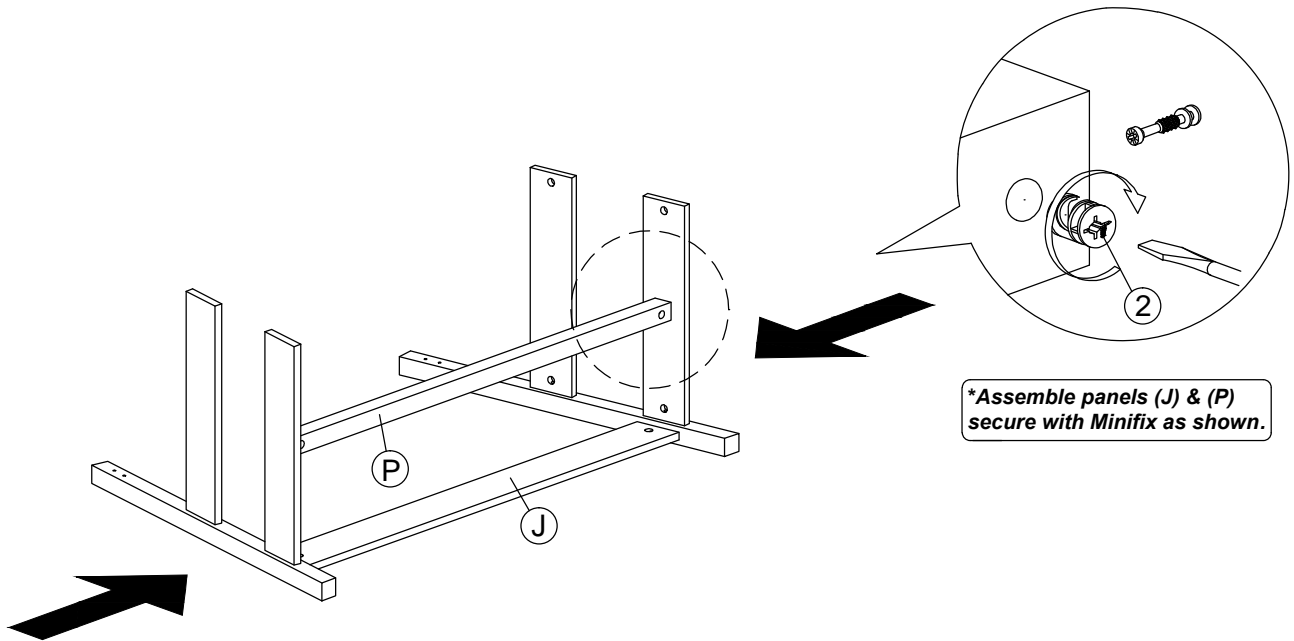


STEP 7

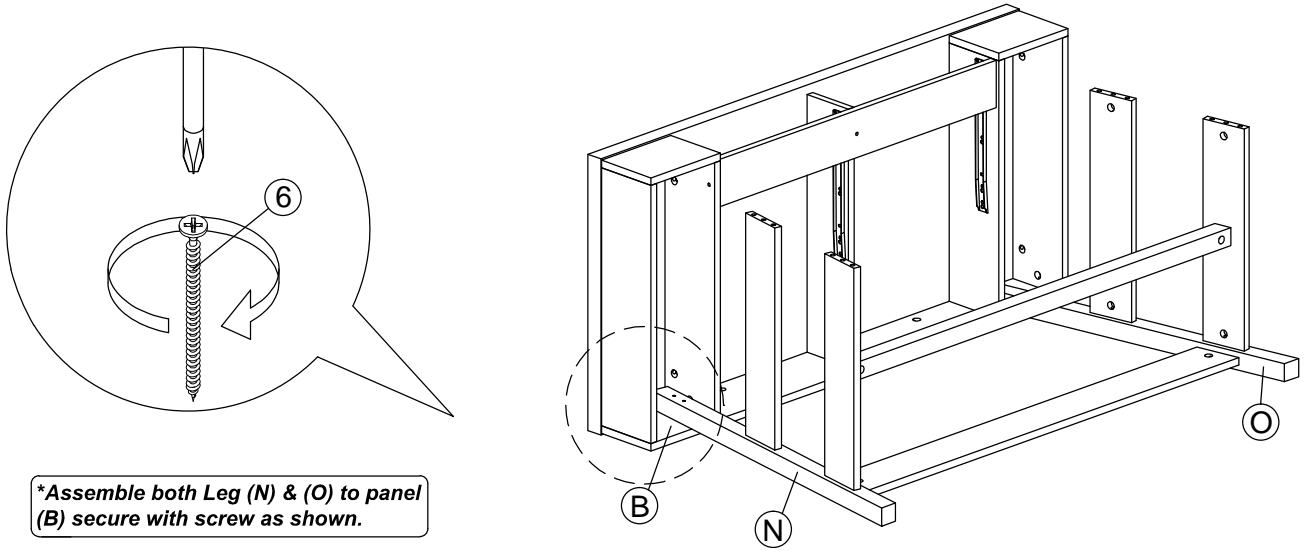


Assembly Instruction

STEP 8

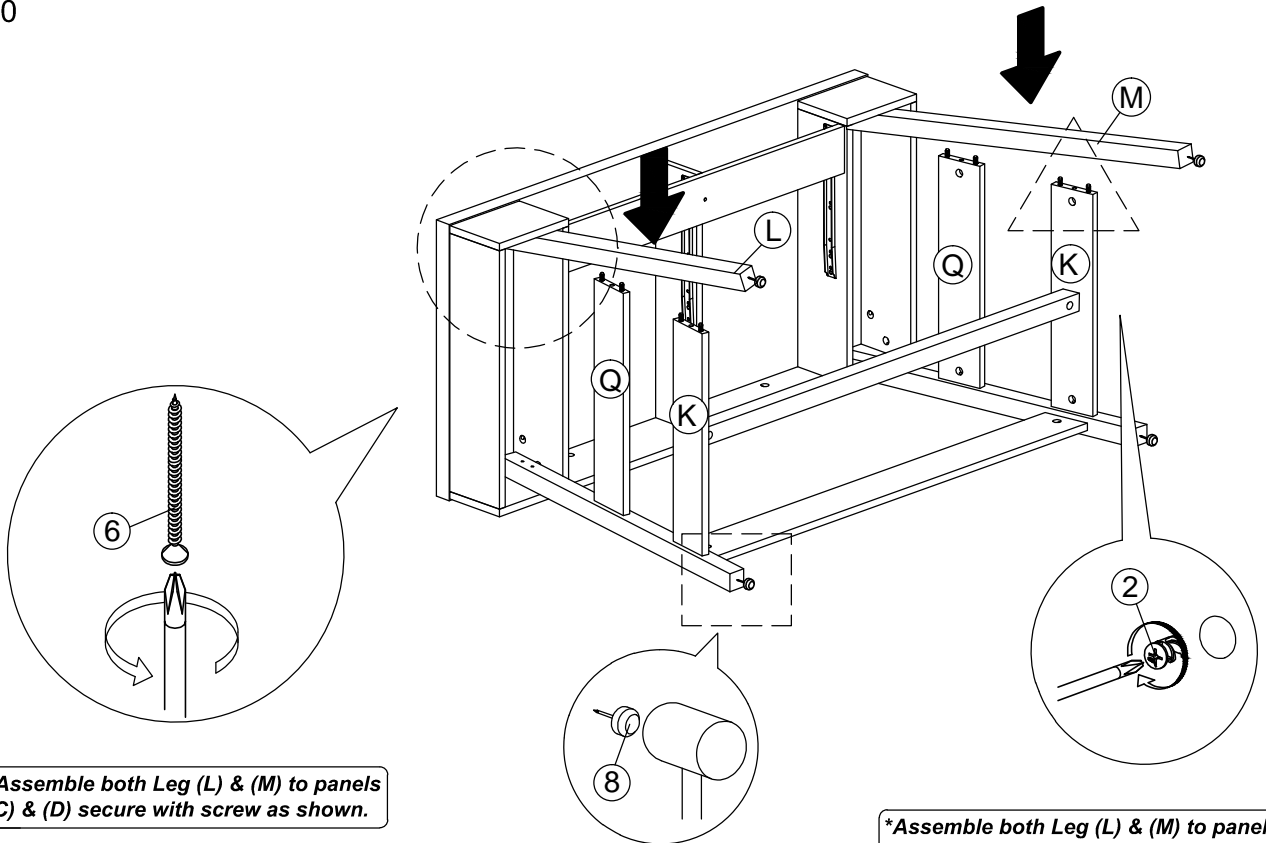


STEP 9



Assembly Instruction

STEP 10

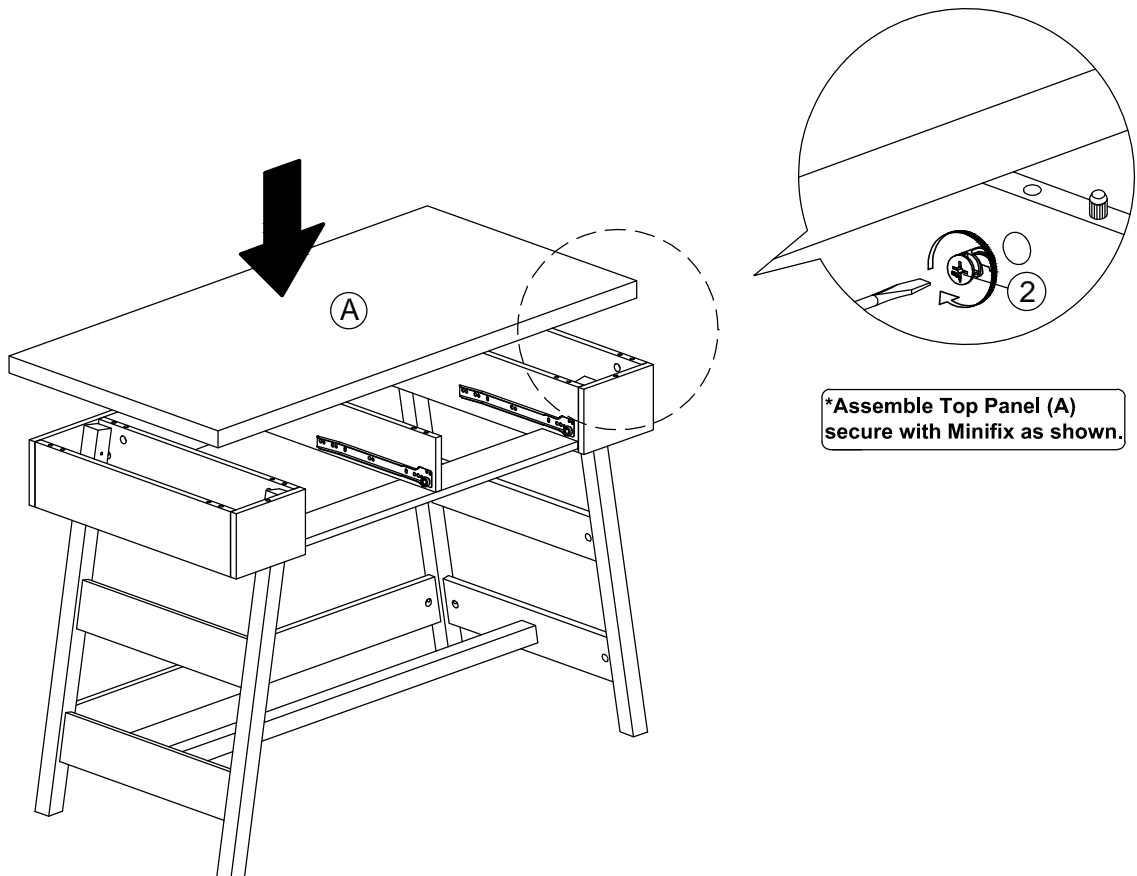


**Assemble both Leg (L) & (M) to panels (C) & (D) secure with screw as shown.*

**Attach 4pcs Nail Leg to all Leg (L),(M),(N)& (O) as shown.*

**Assemble both Leg (L) & (M) to panels (Q) & (K) secure with Minifix as shown.*

STEP 11

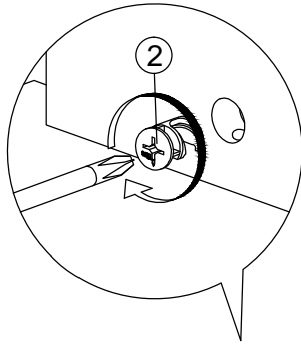


**Assemble Top Panel (A) secure with Minifix as shown.*

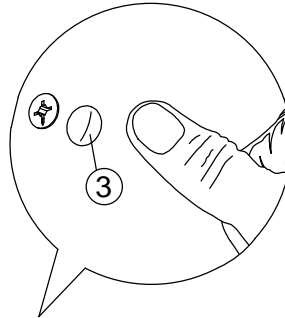
Assembly Instruction

STEP 12

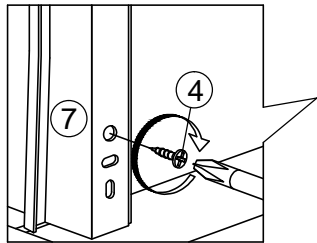
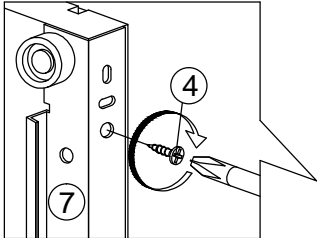
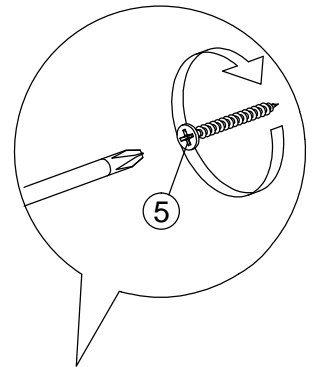
***Assemble drawer side secure with Minifix as shown.**



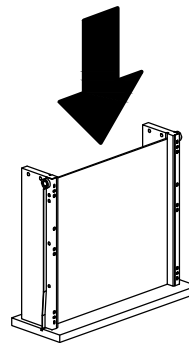
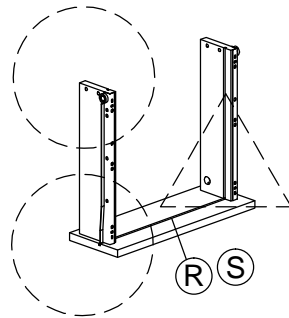
***Attach Minifix Cap to both drawer side panels as shown.**



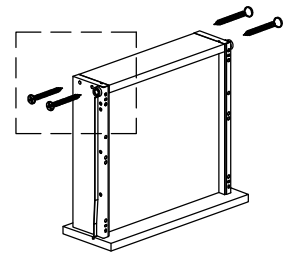
***Insert drawer back, secure with screw as shown.**



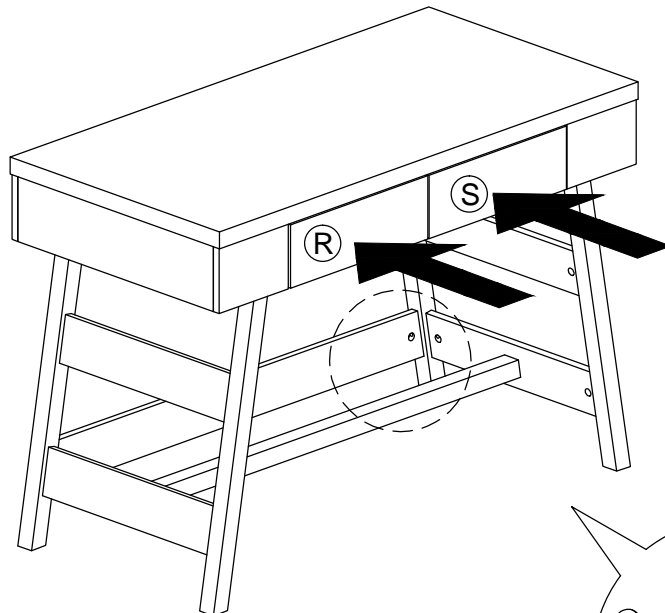
***Assemble drawer slide, secure with screw as shown.**



***Insert drawer bottom as shown.**



STEP 13



***Insert Drawer as shown.**

***Attach Minifix Cap to panels as shown.**

