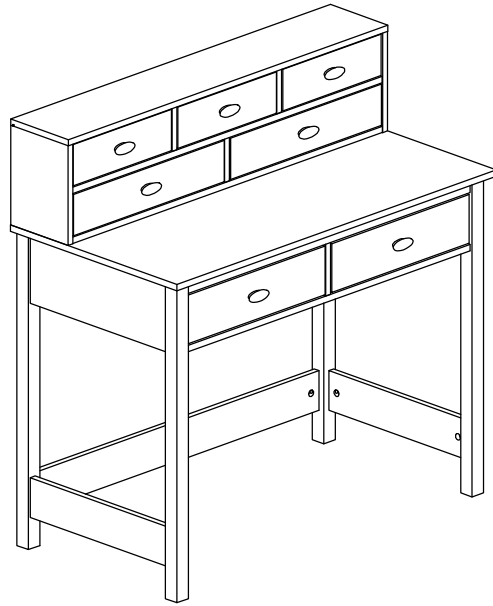
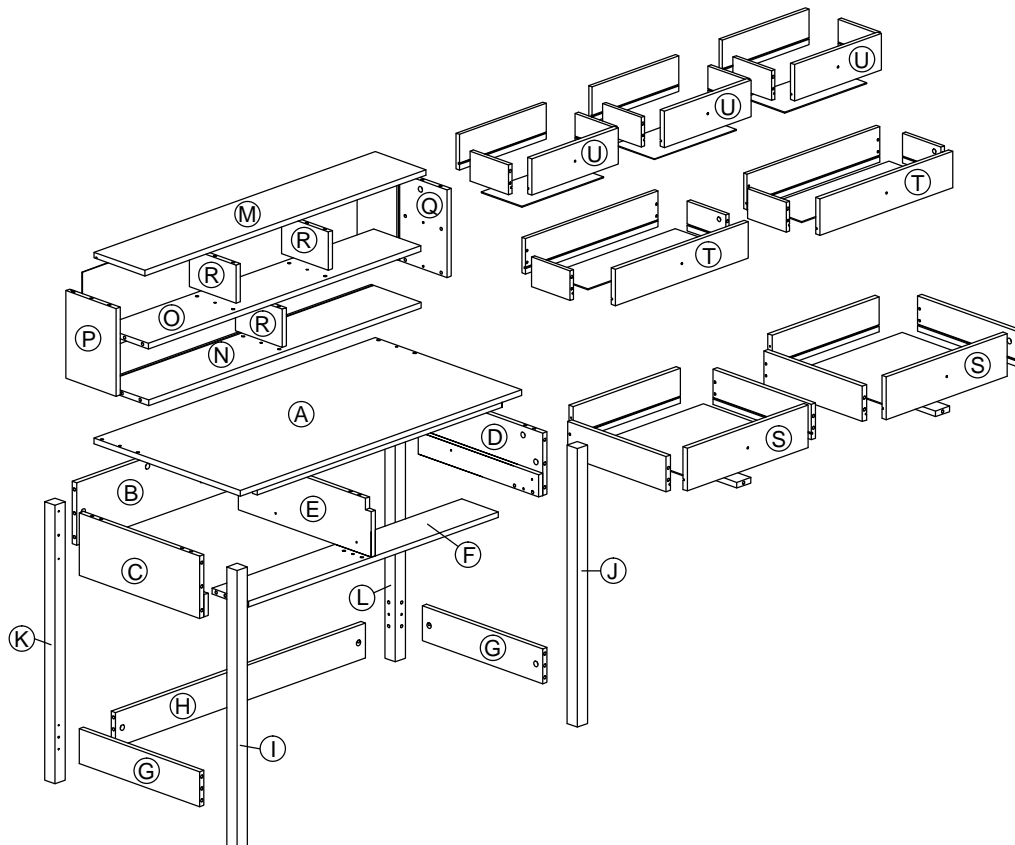


Assembly Instruction

Model : SD - 11



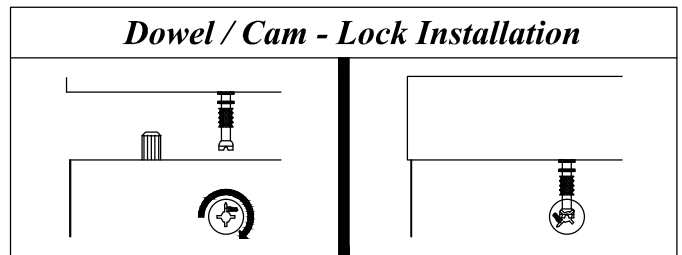
Part List



Assembly Instruction

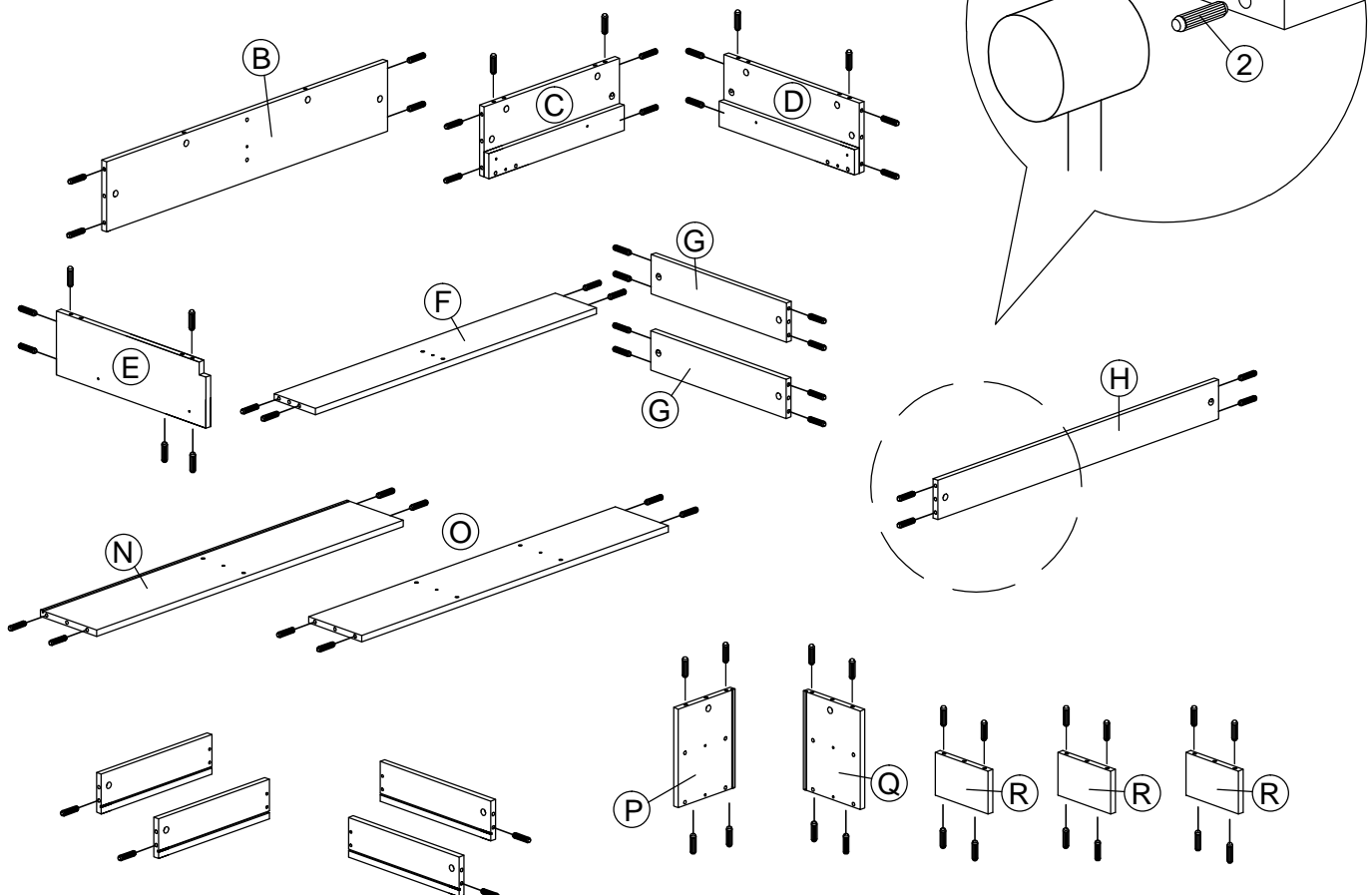
<i>Hardware List</i>			
No.	SHAPE	DESCRIPTION	Qty.
1		6x25mm Wood Dowel	10Pcs
2		8x25mm Wood Dowel	70Pcs
3		12MM Titus Mini Fix	10Sets
4		15MM Titus Mini Fix	38Sets
5		Minifix Cap	10Pcs
6		M3.5x15mm Screw	8Pcs
7		M4x30mm Screw	20Pcs
8		M4x38mm Screw	16Pcs

9		Drawer Slide (350mm)	2Sets
10		Nail Leg	4Pcs
11		Handle Knob (P058) Plastic M3.6x24mm Handle Screw	7Sets
12		M5x8mm Screw (Euro Screw)	8Pcs



STEP 1

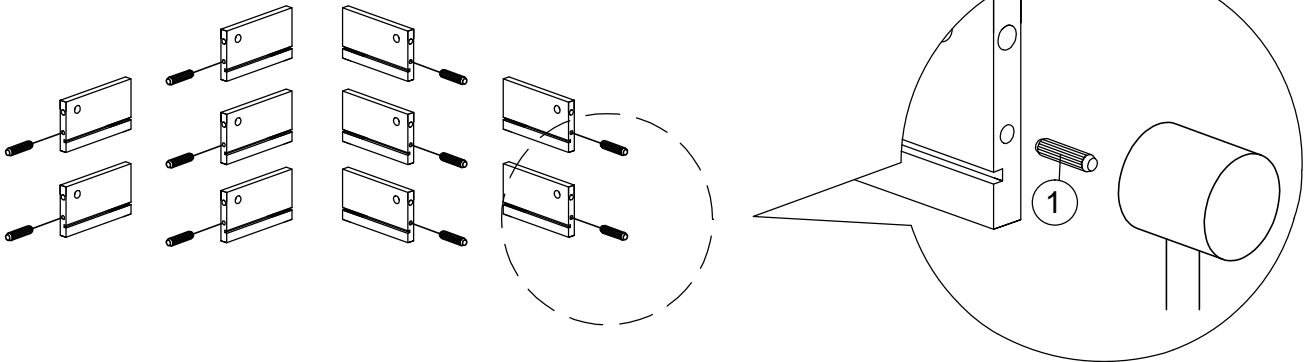
***Install all 8x25mm Wood Dowel (2) into all panels as shown.**



Assembly Instruction

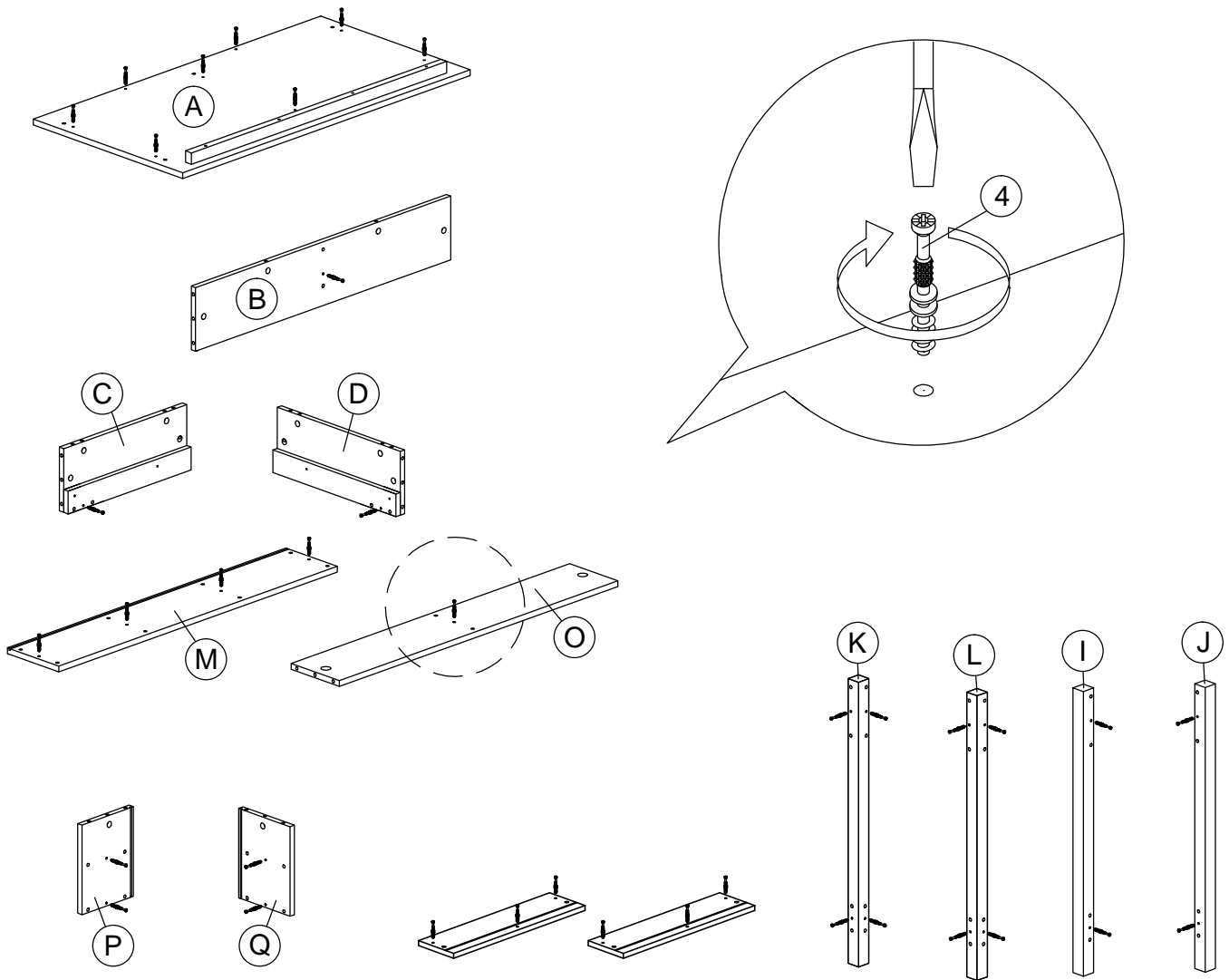
STEP 2

***Install all 6x25mm Wood Dowel (1) into all panels as shown.**



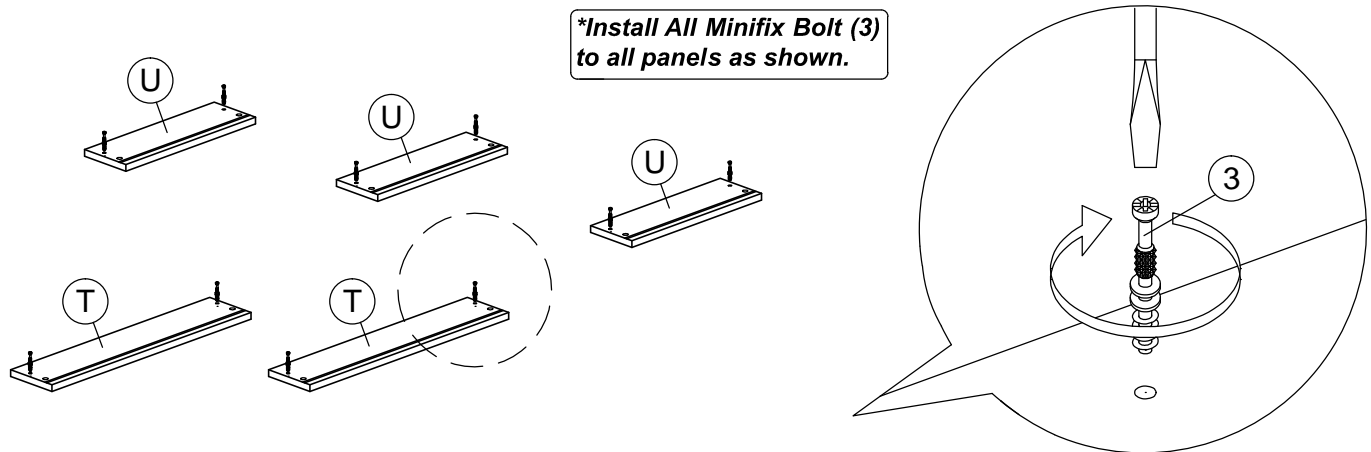
STEP 3

***Install All Minifix Bolt (4) to all panels as shown.**

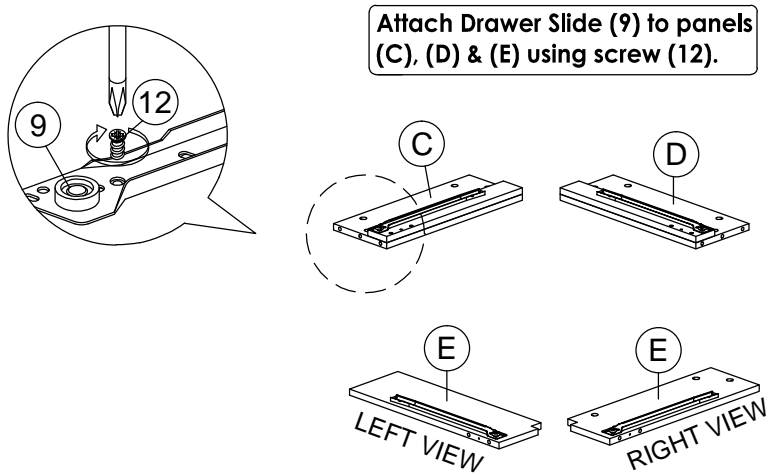


Assembly Instruction

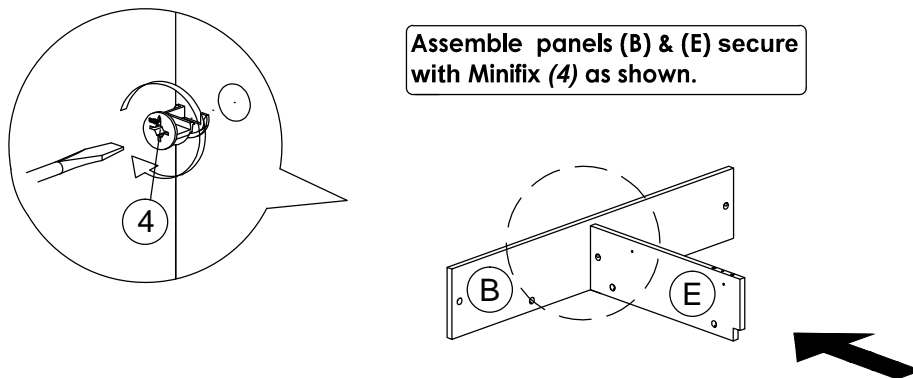
STEP 4



STEP 5



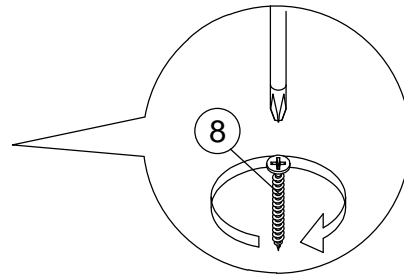
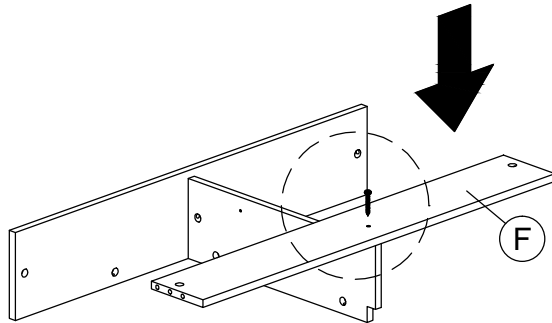
STEP 6



Assembly Instruction

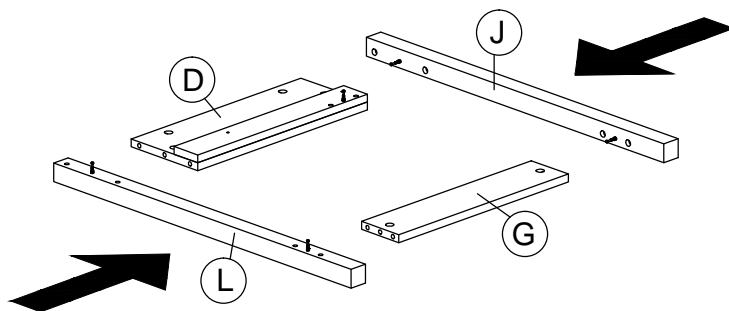
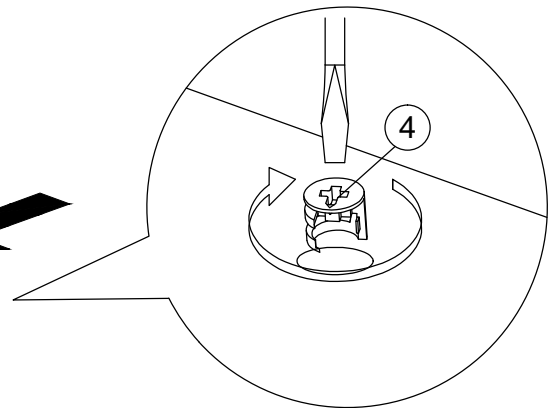
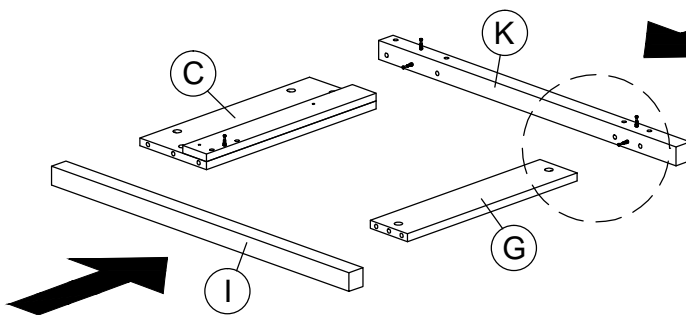
STEP 7

*Assemble panels (F) secure with Screw (8) as shown.



STEP 8

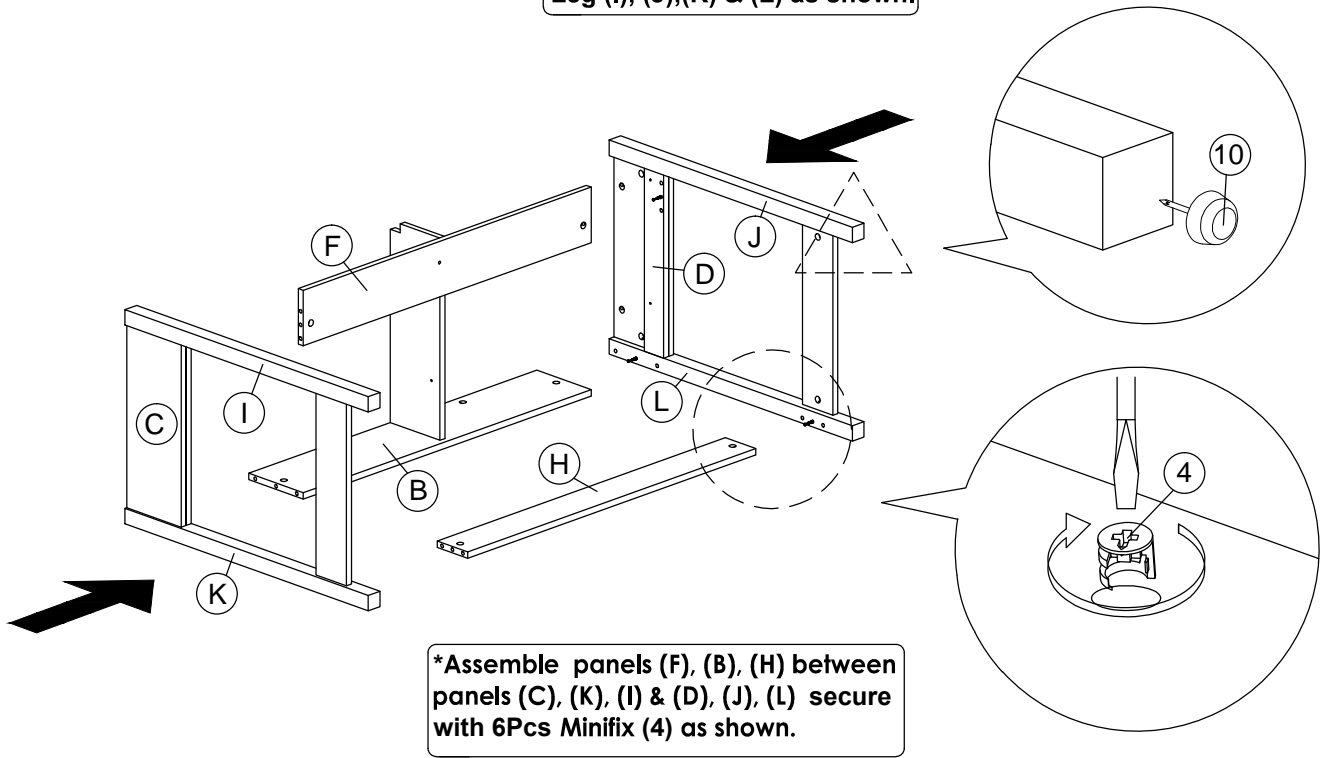
*Assemble all panels secure with Minifix (4) as shown.



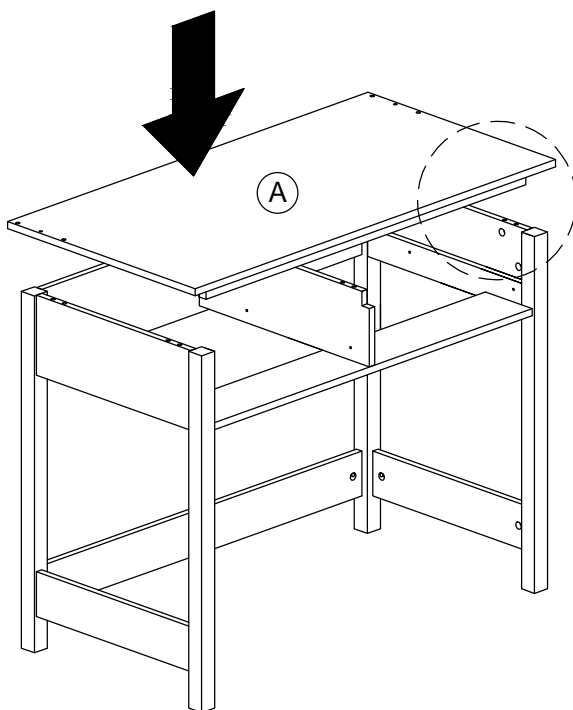
Assembly Instruction

STEP 9

***Attach all Nail Leg (10) to Leg (I), (J), (K) & (L) as shown.**



STEP 10

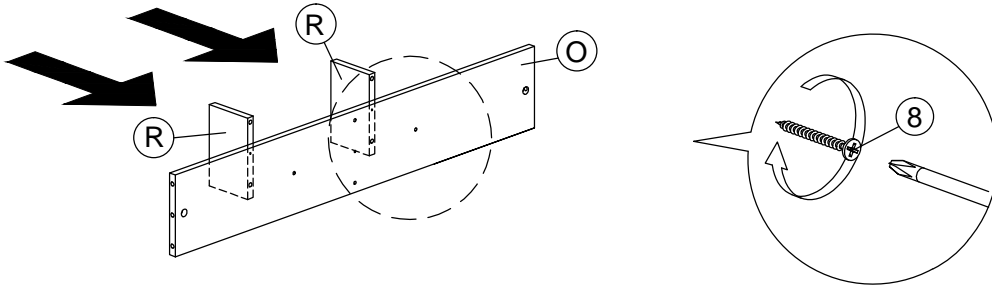


Assemble Top Panel (A) secure with 6Pcs Minifix (4) as shown.

Assembly Instruction

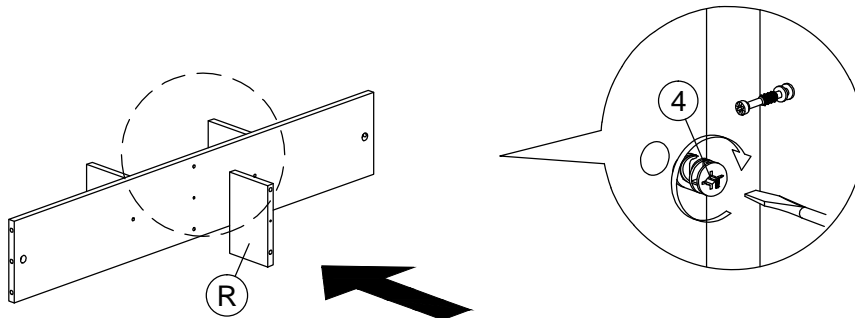
STEP 11

***Assemble panels (O) & (R) secure with Screw (8) as shown.**



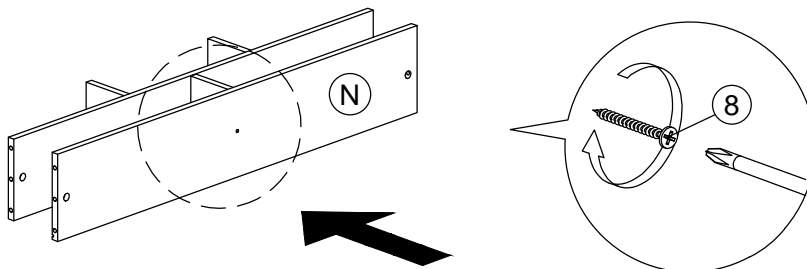
STEP 12

***Assemble panel (R) secure with Minifix (4) as shown.**



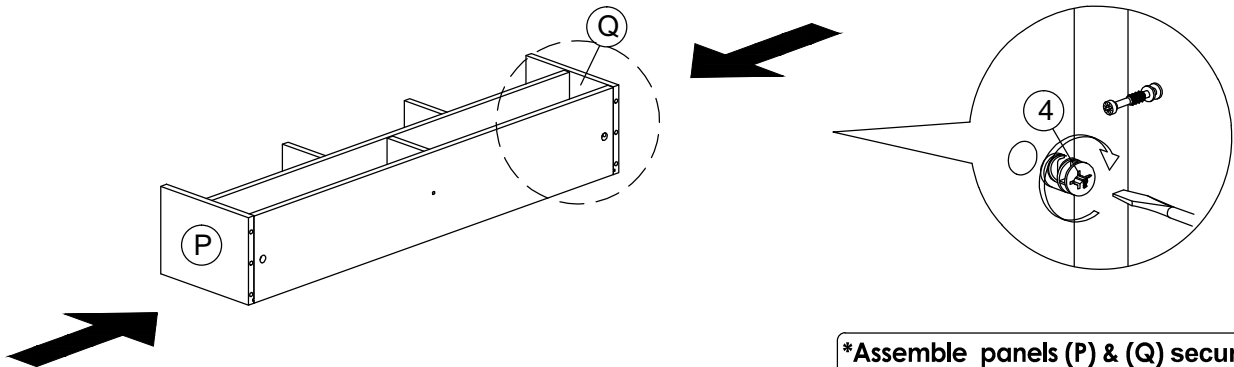
STEP 13

***Assemble panels (N) secure with Screw (8) as shown.**



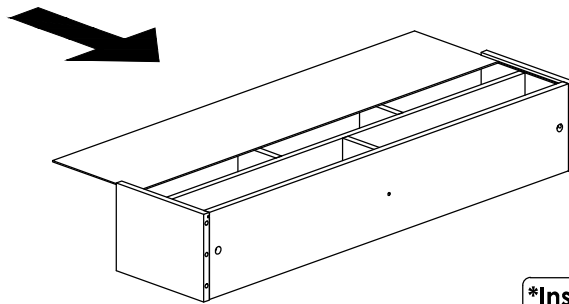
Assembly Instruction

STEP 14



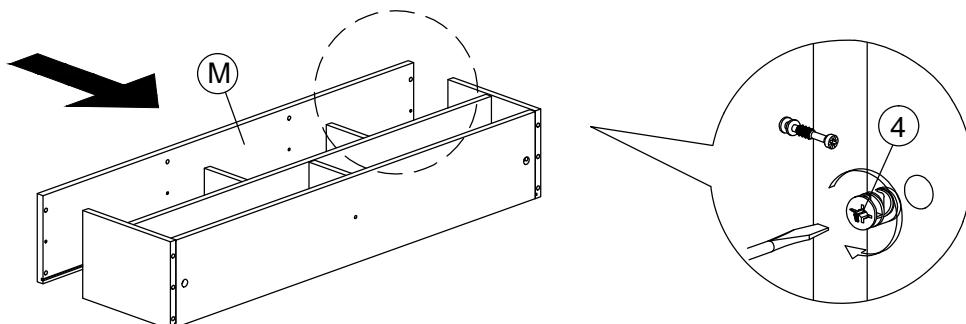
***Assemble panels (P) & (Q) secure with 4 Pcs Minifix (4) as shown.**

STEP 15



***Insert back panels as shown.**

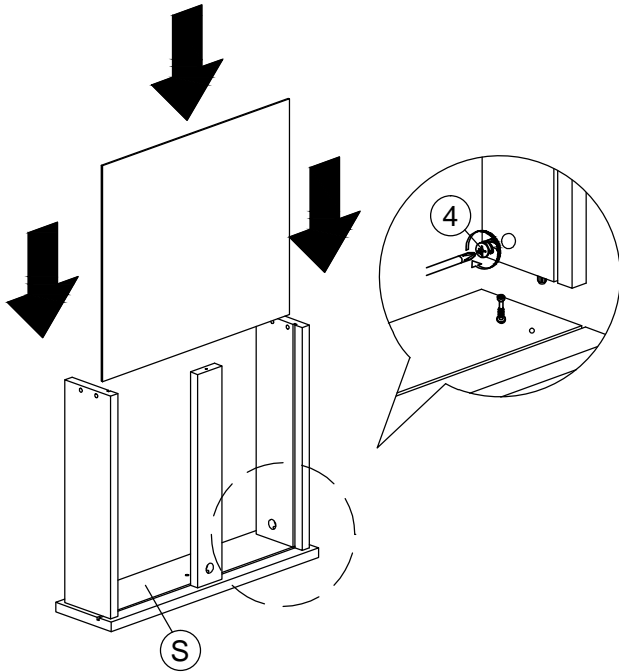
STEP 16



***Assemble panel (M) secure with 2 Pcs Minifix (4) as shown.**

Assembly Instruction

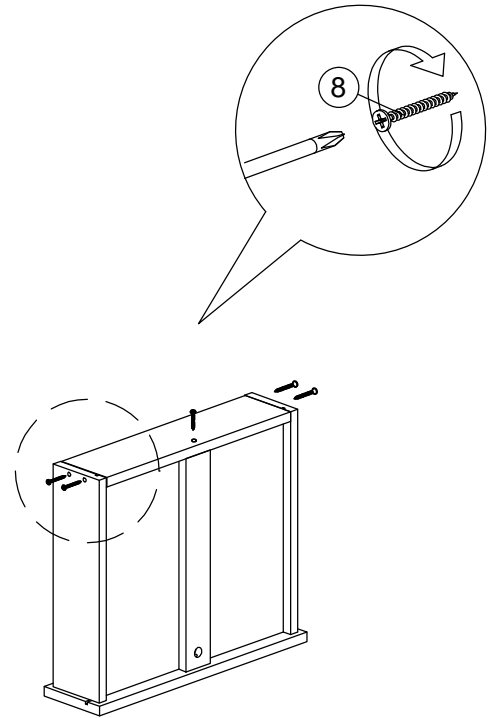
STEP 17



***Assemble drawer side & drawer crossbar to drawer front (S), secure with Minifix (4) as shown.**

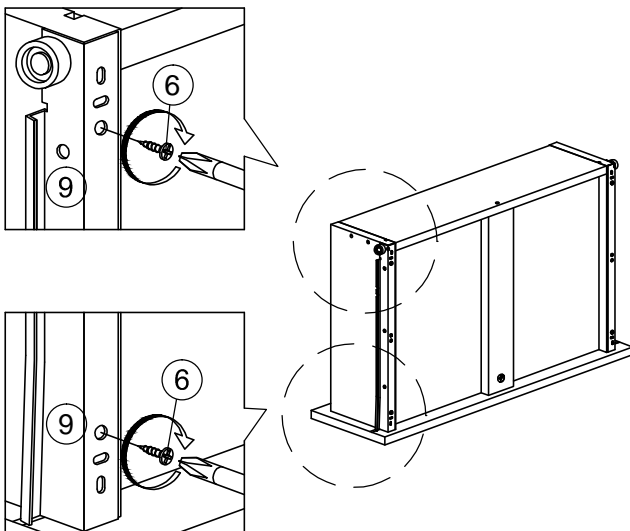
***Then insert drawer bottom panel as shown.**

STEP 18



***Assemble drawer back panel, secure with screw (8) as shown.**

STEP 19

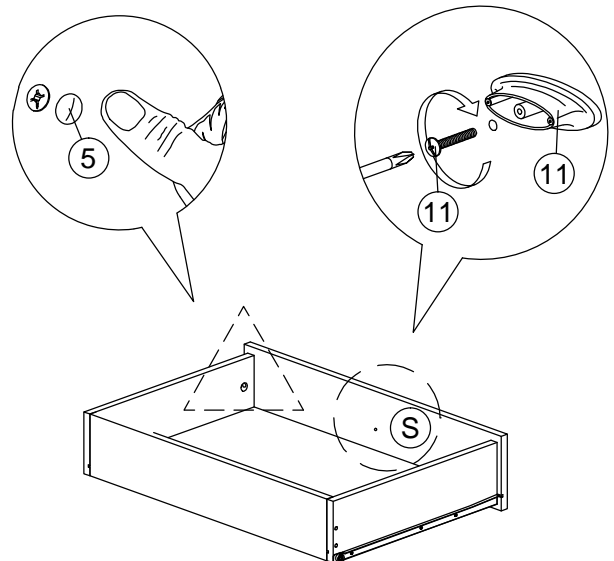


***Assemble drawer slide (9), secure with screw (6) as shown.**

STEP 20

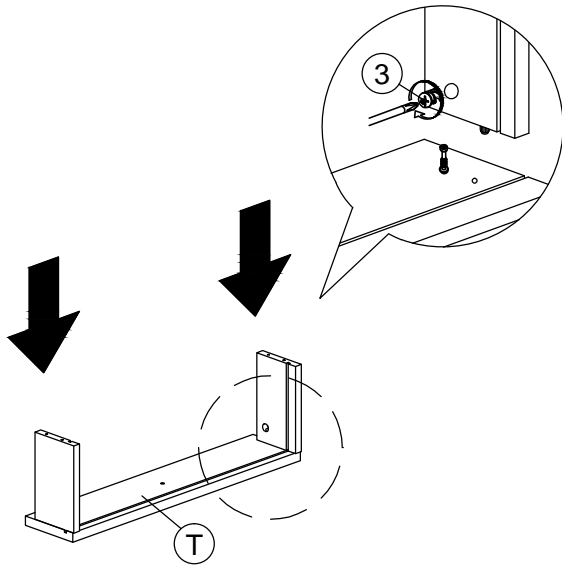
***Attach Minifix Cap (5) as shown.**

***Install Handle with screw (11) as shown.**



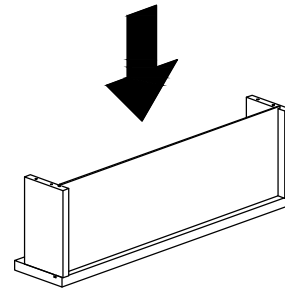
Assembly Instruction

STEP 21



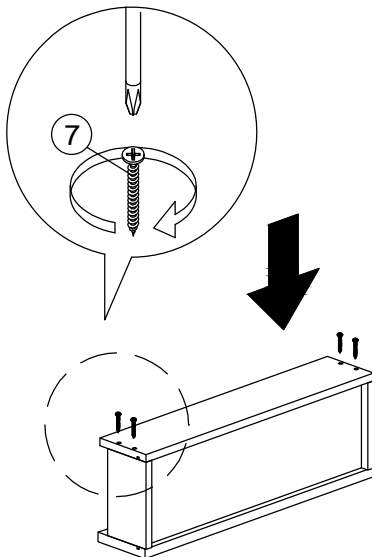
***Assemble drawer side to drawer front (T), secure with Minifix (3) as shown.**

STEP 22



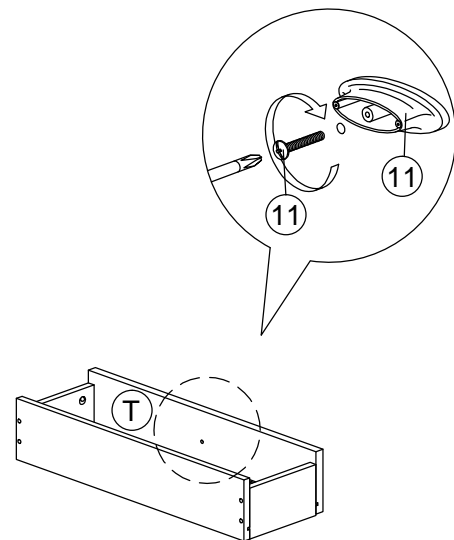
***Then insert drawer bottom panel as shown.**

STEP 23



***Assemble drawer back panel, secure with screw (7) as shown.**

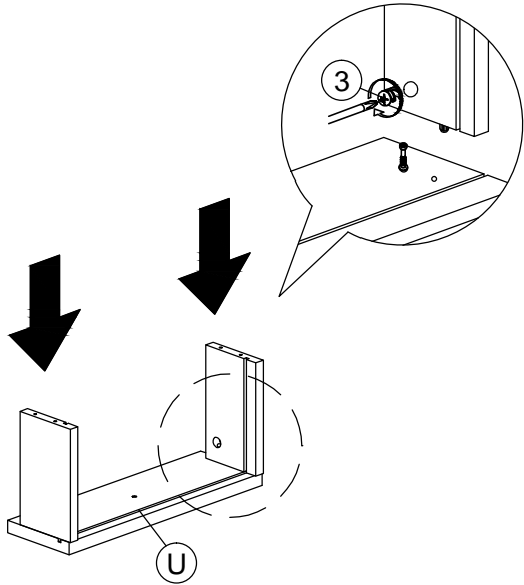
STEP 24



***Install Handle with screw (11) as shown.**

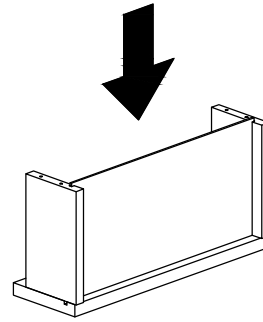
Assembly Instruction

STEP 25



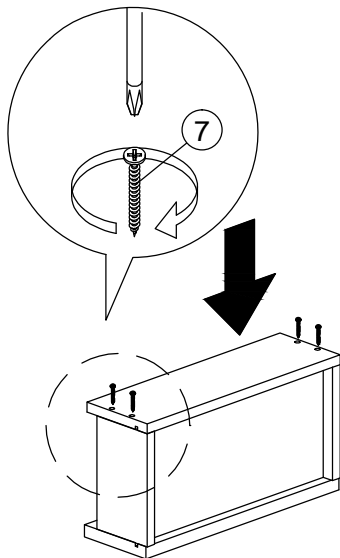
***Assemble drawer side to drawer front (U), secure with Minifix (3) as shown.**

STEP 26



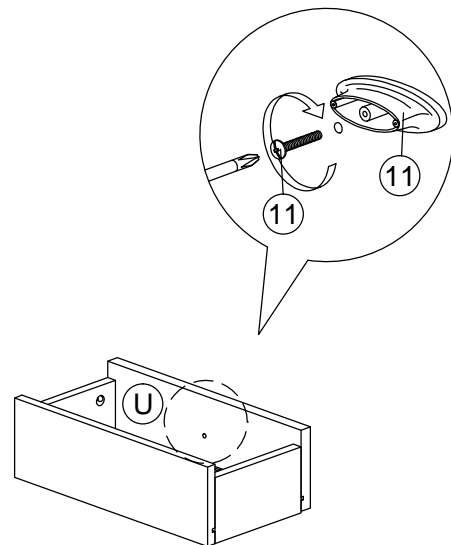
***Then insert drawer bottom panel as shown.**

STEP 27



***Assemble drawer back panel, secure with screw (7) as shown.**

STEP 28

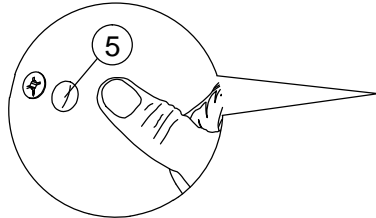
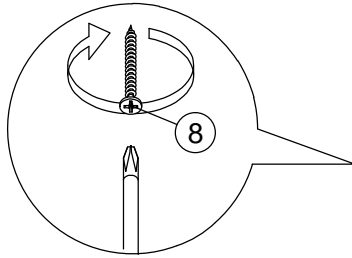


***Install Handle with screw (11) as shown.**

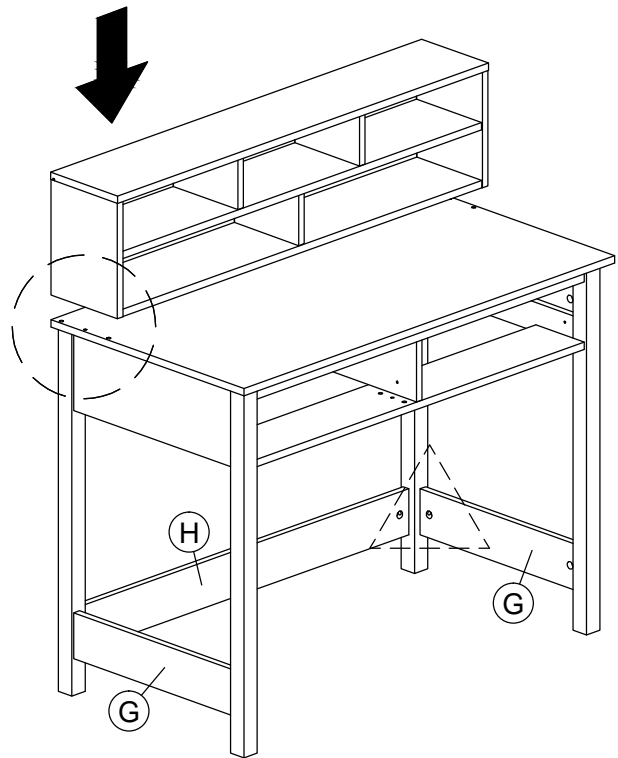
Assembly Instruction

STEP 29

***Assemble Upper Cabinet to Lower Cabinet secure with Screw (8) as shown.**



***Attach 6 Pcs Minifix Cap (5) to panels (G) & (H) as shown.**



STEP 30

***Place all Drawers into cabinet as shown.**

