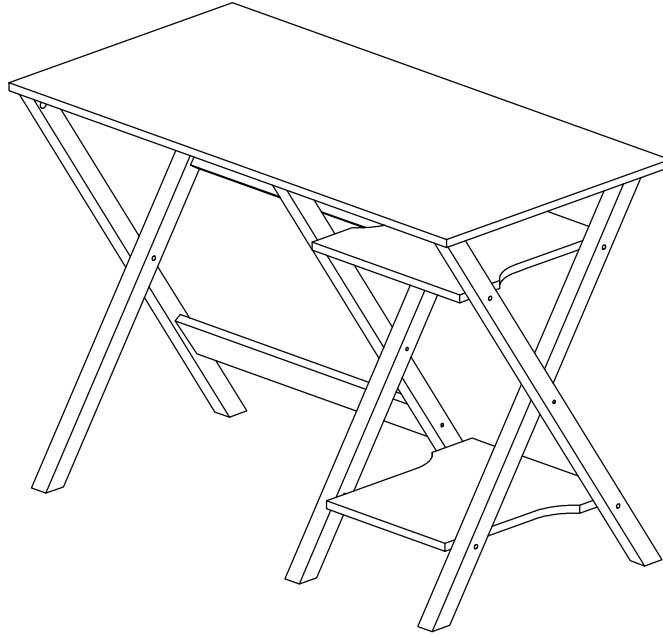
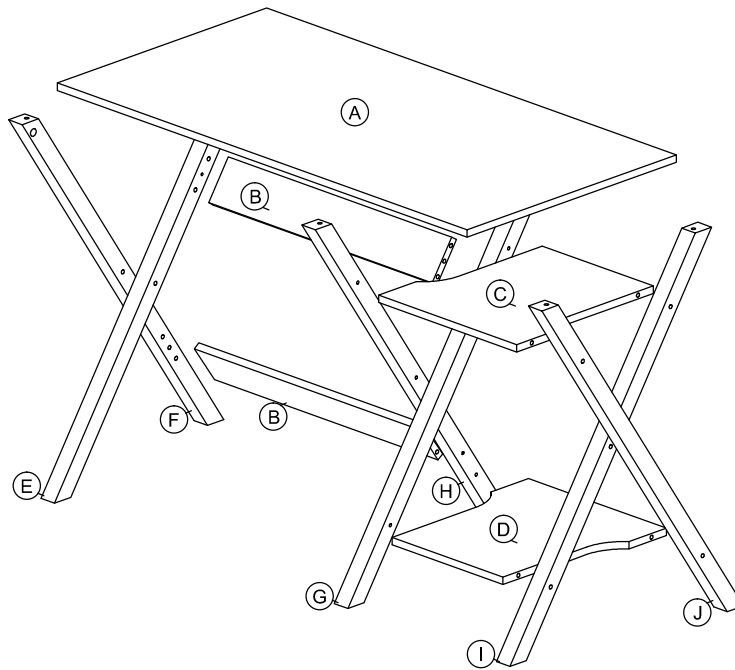


# Assembly Instruction






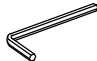
Model : WI5438



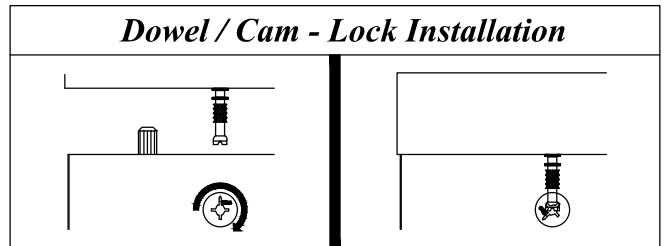
## Part List



### Hardware List

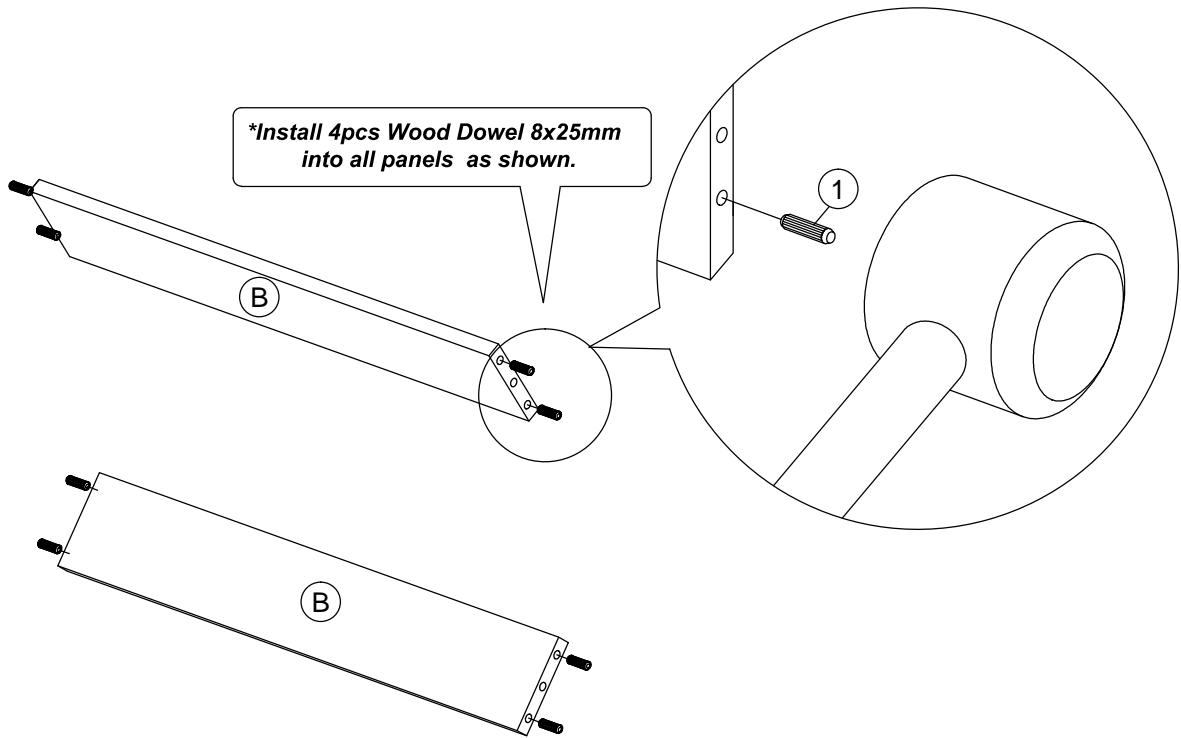
No.	SHAPE	DESCRIPTION	Qty.
1		<b>8x25mm Wood Dowel</b>	8Pcs
2		<b>M7x60mm Screw</b>	15Pcs
3		<b>15MM Titus Mini Fix</b>	6Sets
4		<b>Nail Leg</b>	6Pcs
5		<b>15mm Minifix Cap (hole)</b>	6Pcs
6		<b>L Key</b>	1Pc

### Dowel / Cam - Lock Installation



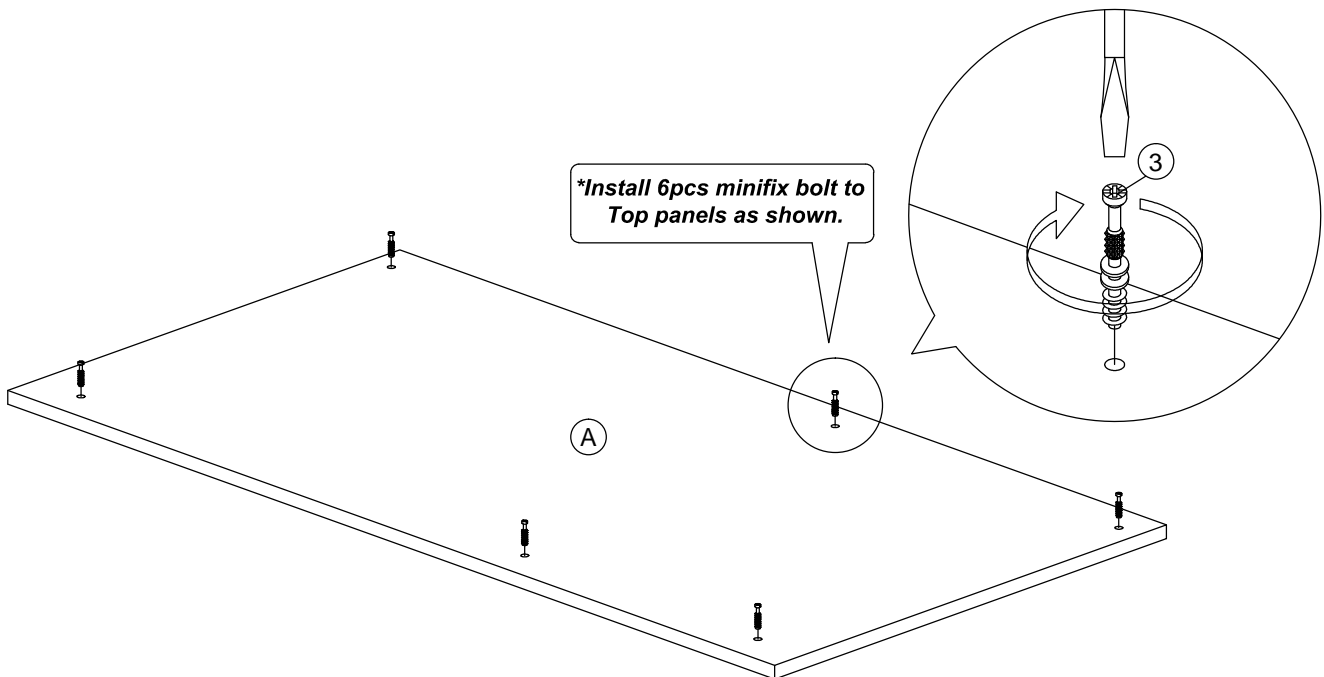
# Assembly Instruction


## Step 1



1		4Pcs
---	---	------

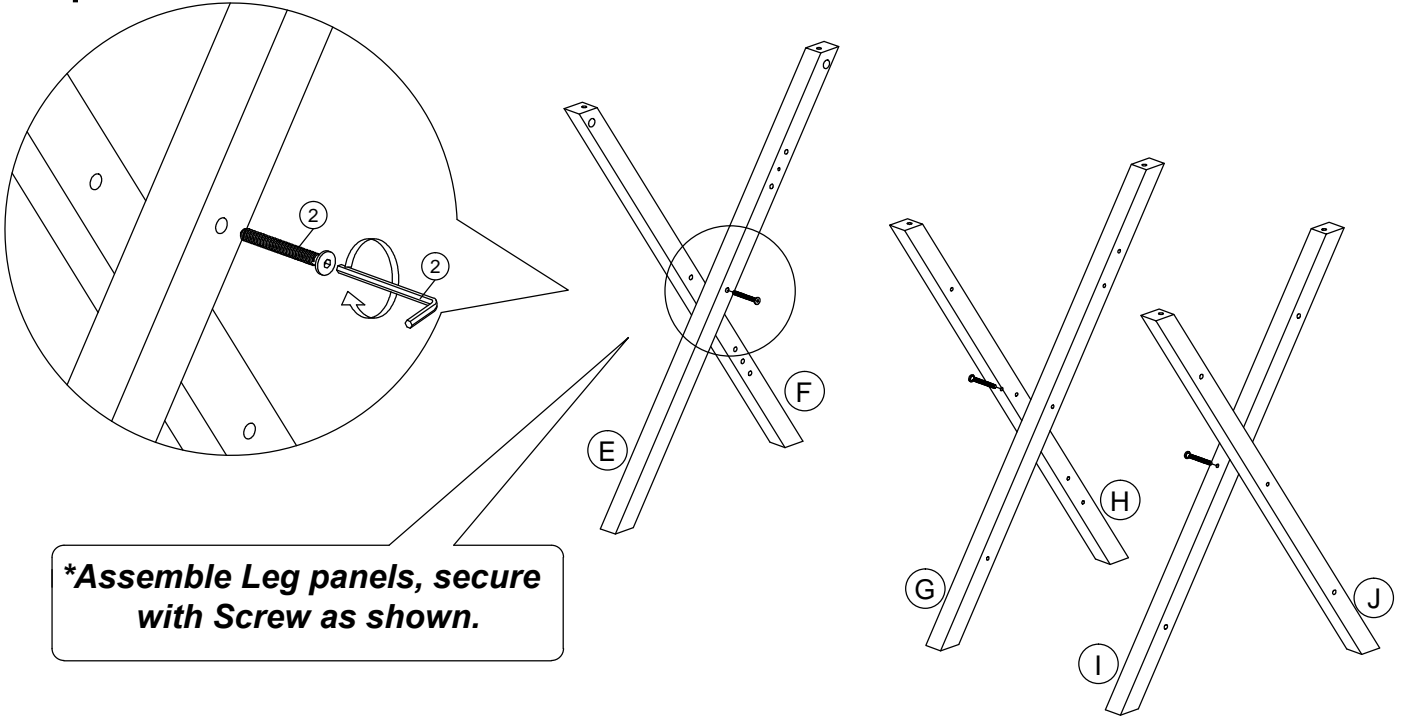
## Step 2



3		6Pcs
---	---	------

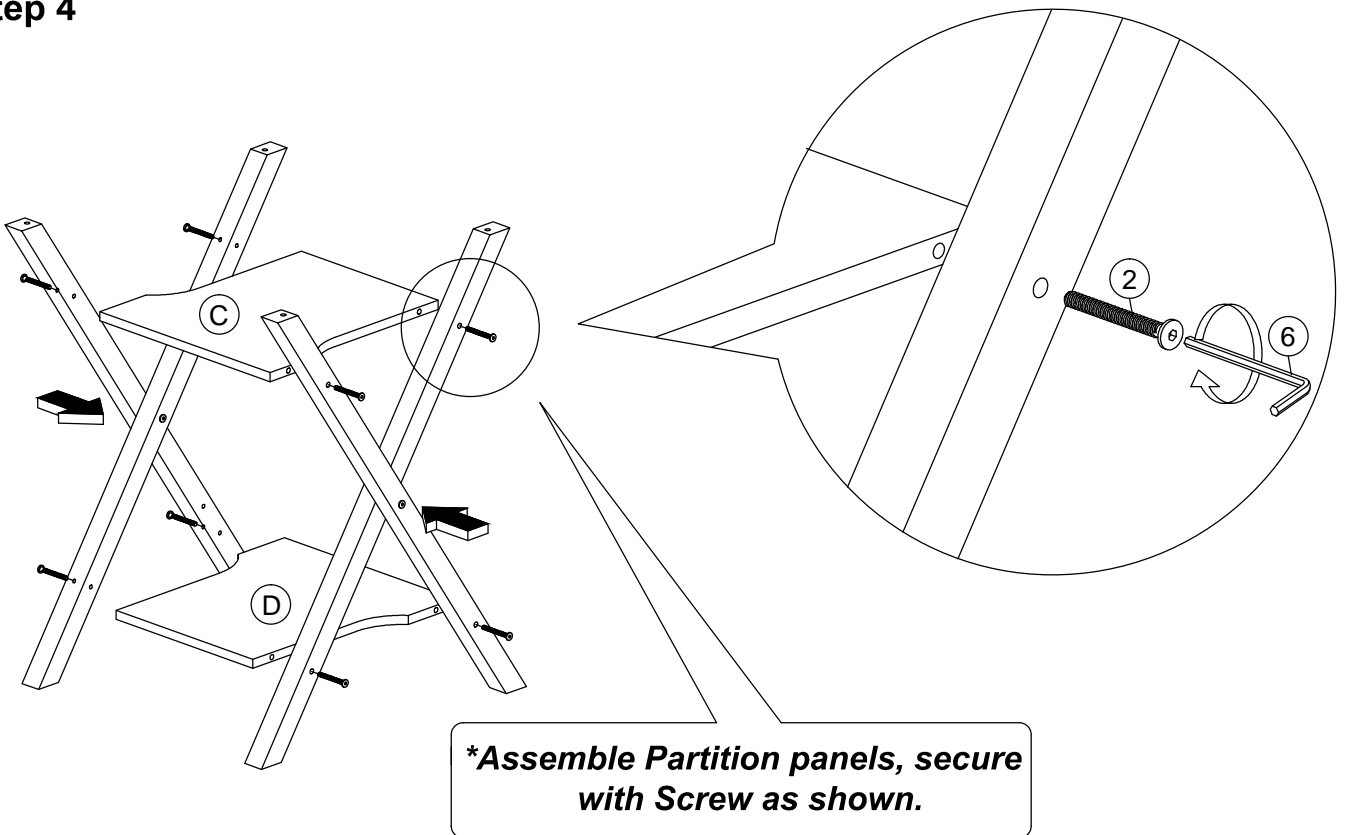
# Assembly Instruction

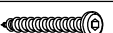
## Step 3



2		3Pcs
---	---	------

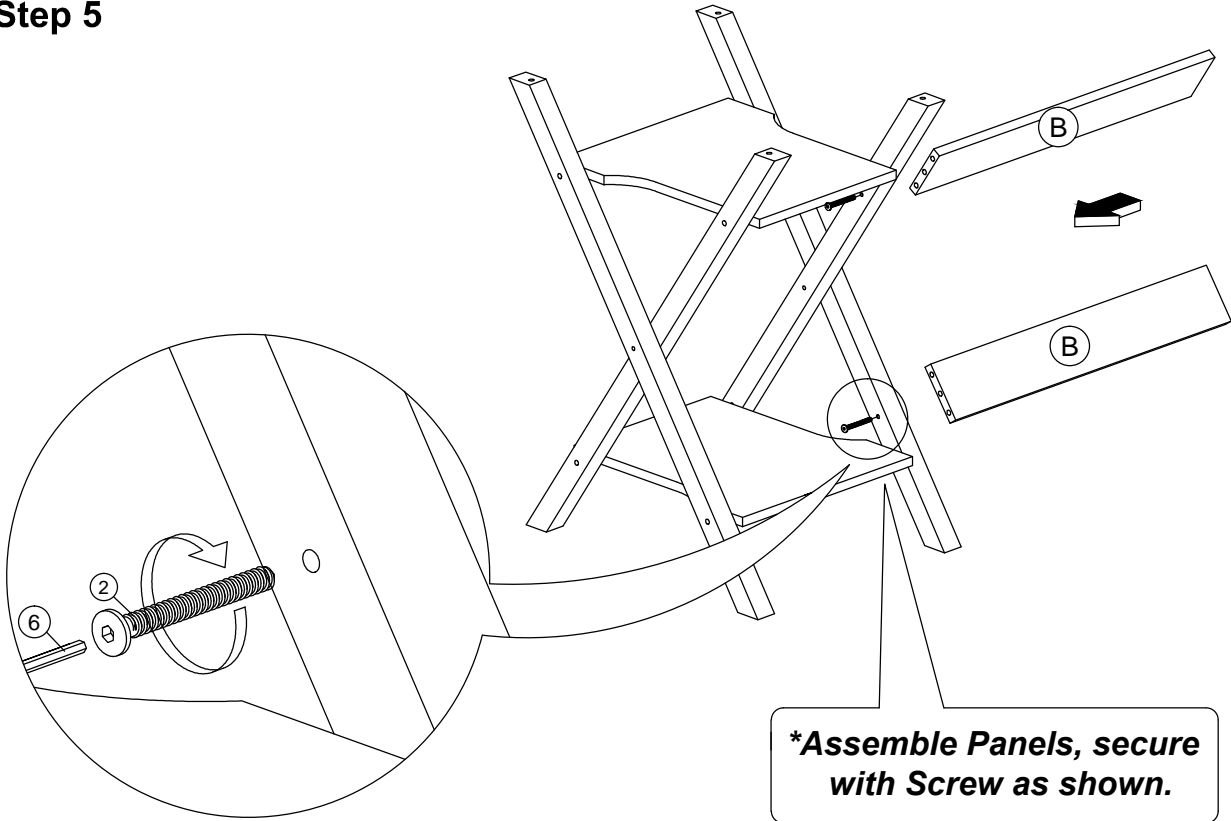
## Step 4



2		8Pcs
---	---	------

# Assembly Instruction

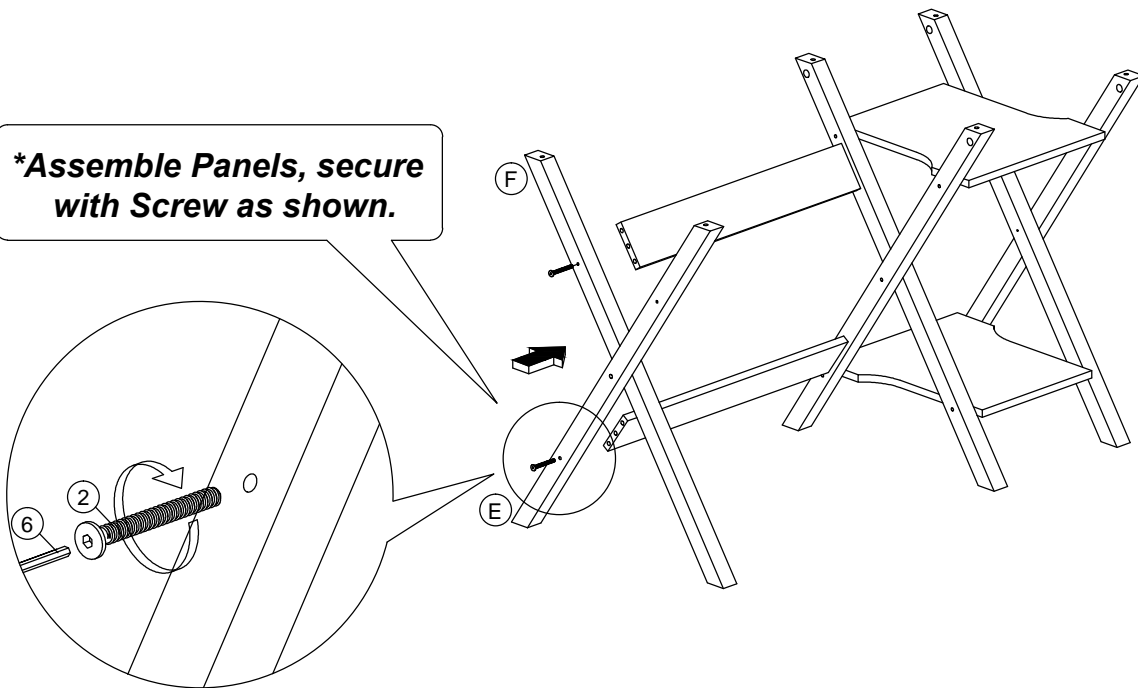
## Step 5




2		2Pcs
---	---	------

## Step 6

**\*Assemble Panels, secure with Screw as shown.**

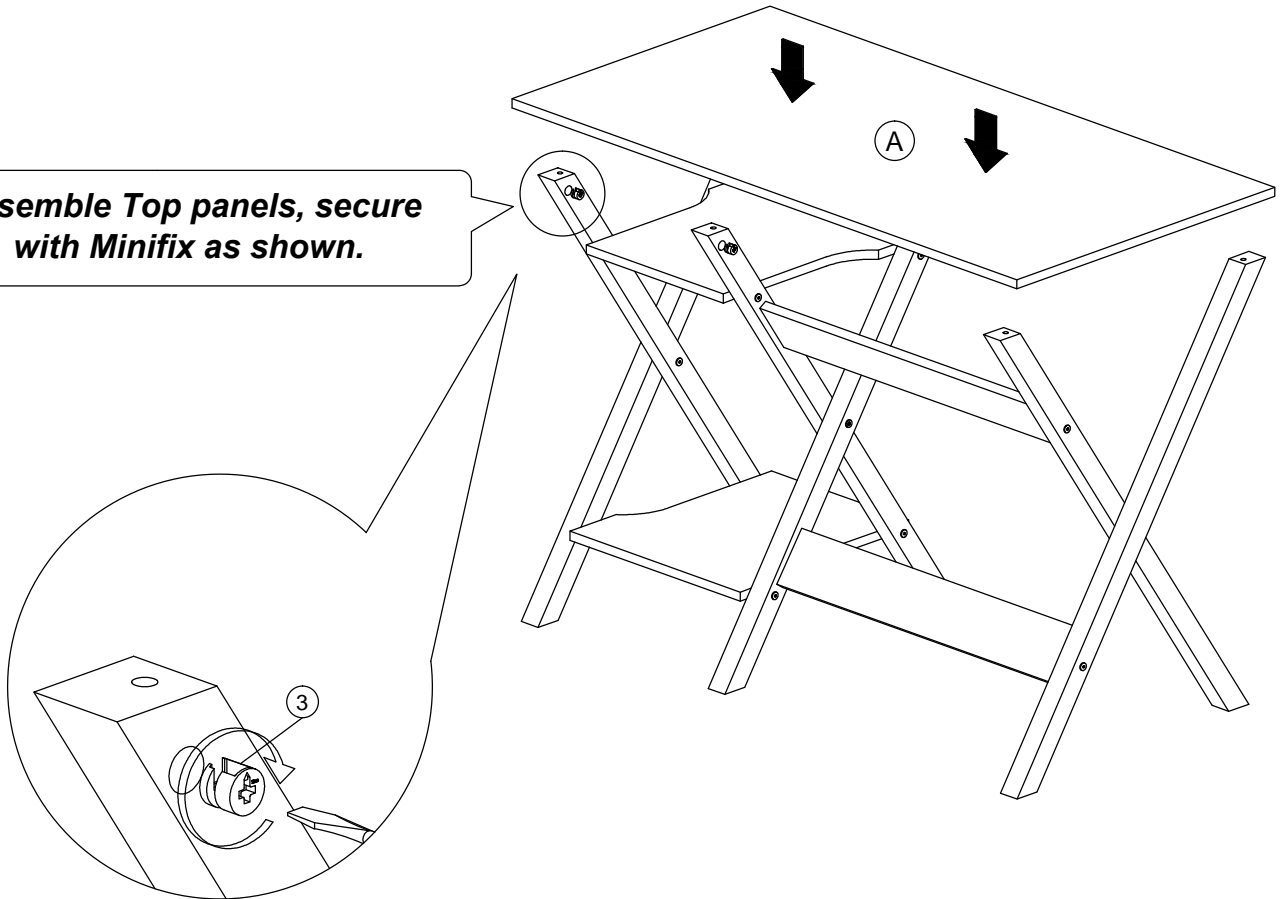


2		2Pcs
---	---	------

# Assembly Instruction

## Step 7

**\*Assemble Top panels, secure with Minifix as shown.**



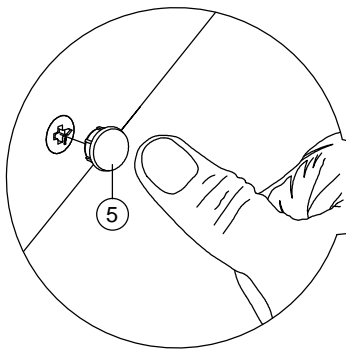
3



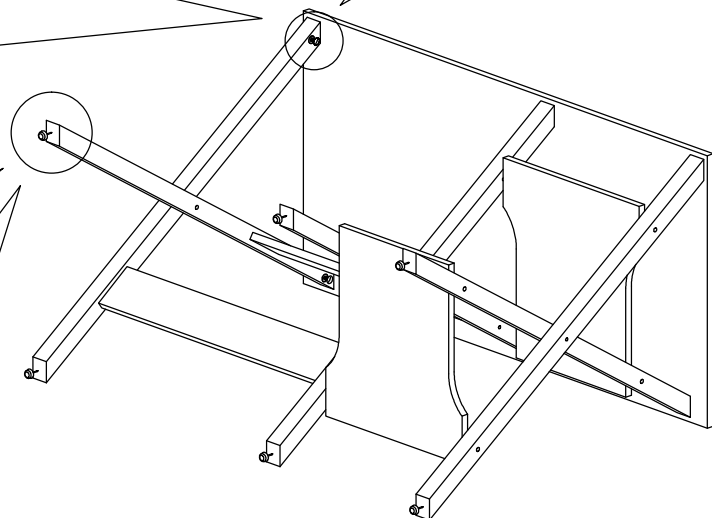
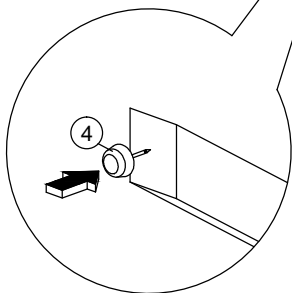
6Pcs

## Step 8

**\*Attach Nail leg as shown.**



**\*Attach minifix cap as shown.**



4



6Pcs

5



6Pcs