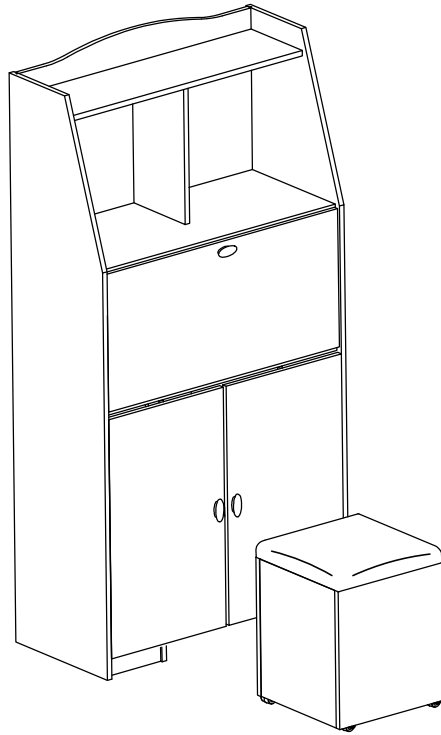
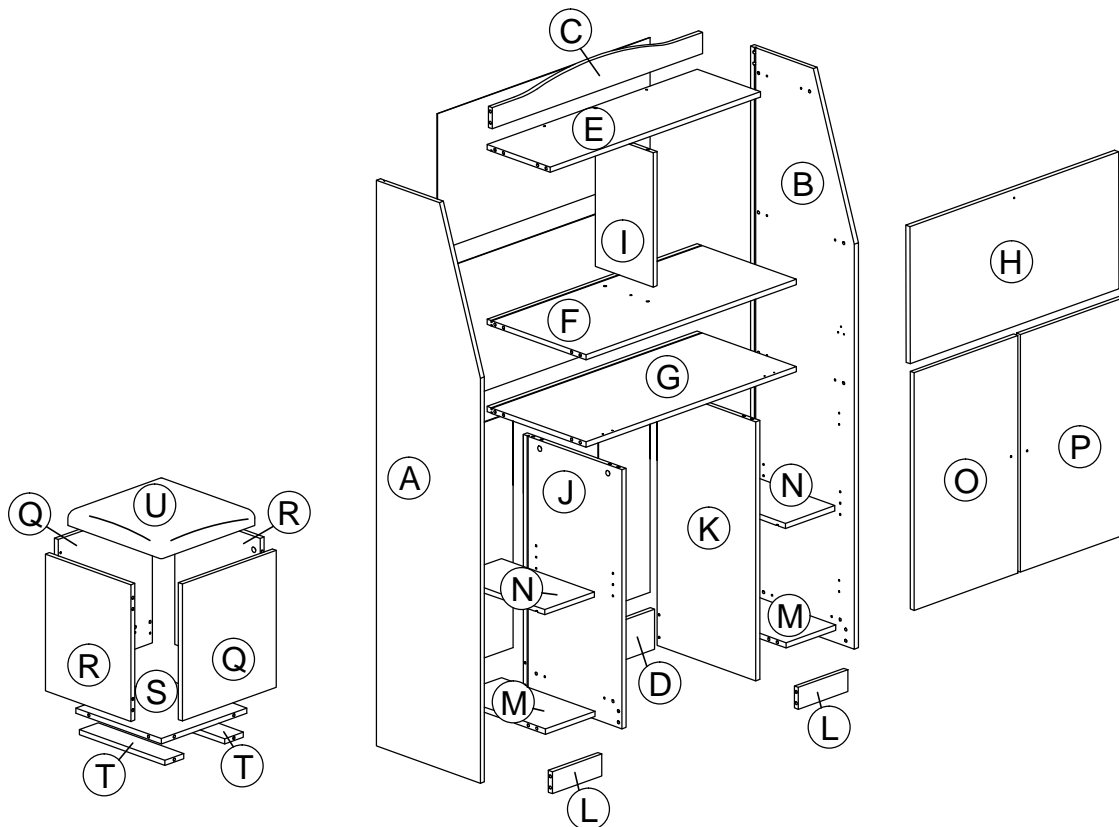


Assembly Instruction


Model : SD-08



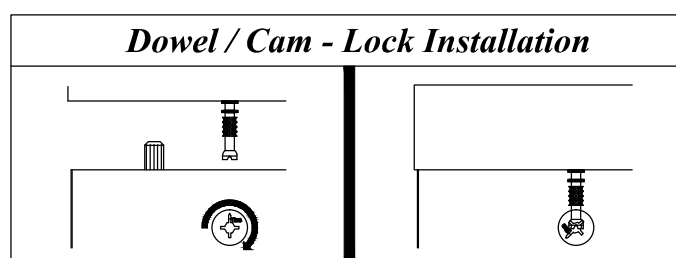
Part List



Assembly Instruction

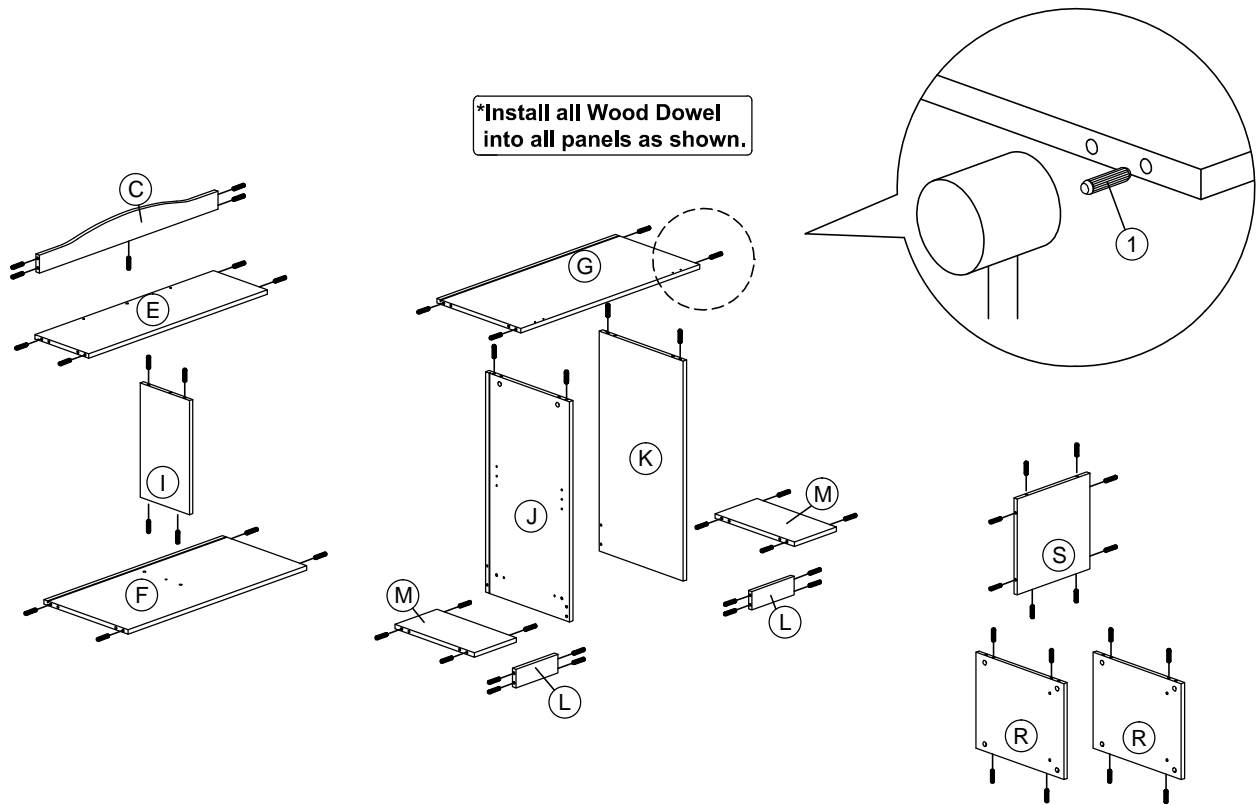
CABINET		Hardware List	
No.	SHAPE	DESCRIPTION	Qty.
1		8x25mm Wood Dowel	41Pcs
2		15MM Titus Mini Fix	28Sets
3		Minifix Cap	14Pcs
4		M3.5x15mm Screw	22Pcs
5		M3x16mm Screw	8Pcs
6		TP 10#x1/2" Screw	16Pcs
7		M5x38mm Screw	4Pcs
8		Nail	8Pcs
9		Shelf Support	8Pcs
10		Hinges (F010)	4Sets
11		Nail Leg	8Pcs
12		Z Bracket (Big)	4Pcs
13		8" Chest Stay	2Sets
14		906 2" Hinges	2Pcs
15		Handle Knob (P058) Plastic M3.6x24mm Handle Screw	3Sets
16		Brown Magnet 2 Pin Flat Head Tapping Screw M6x10mm ZB	2Sets

STOOL		Hardware List	
No.	SHAPE	DESCRIPTION	Qty.
1		8x25mm Wood Dowel	16Pcs
2		15MM Titus Mini Fix	12Sets
3		Minifix Cap	4Pcs
4		M3.5x15mm Screw	16Pcs
5		Castor 560038	4Pcs

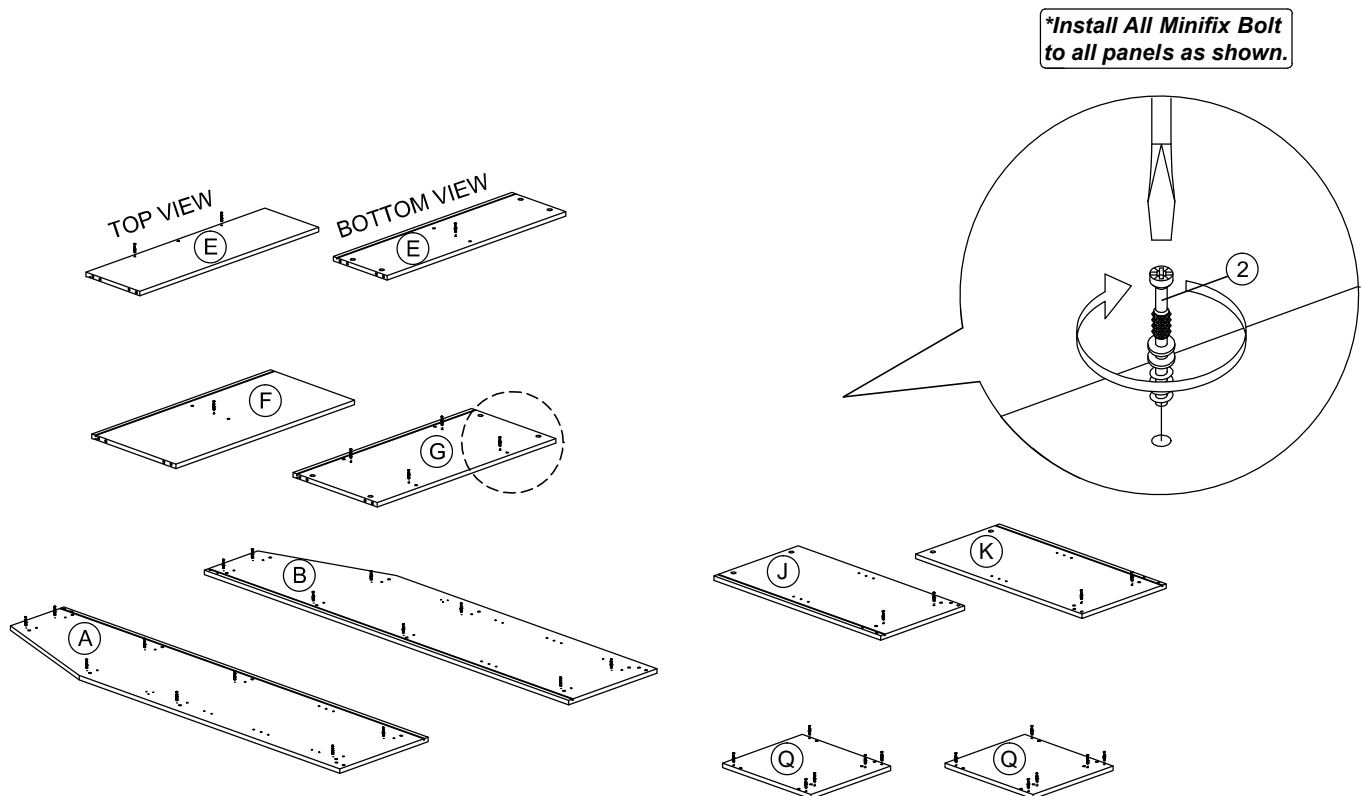


Assembly Instruction

STEP 1



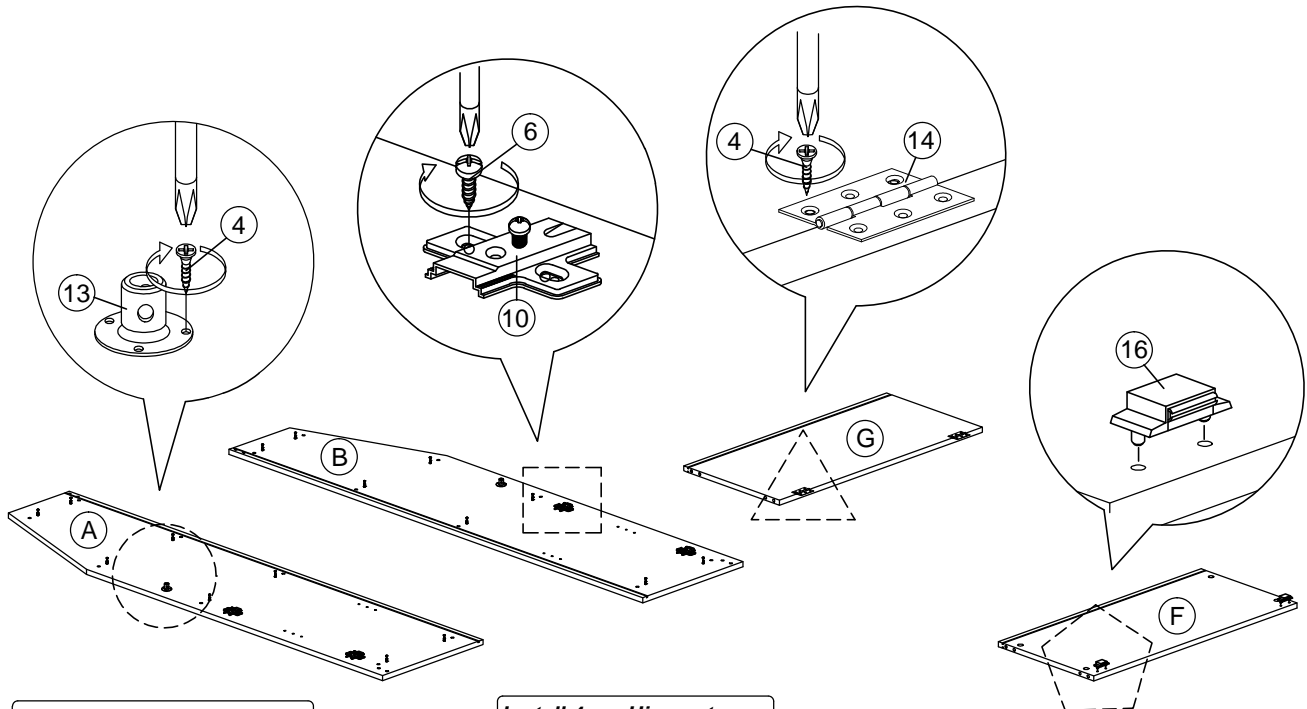
STEP 2



Assembly Instruction

STEP 3

Install 2pcs 906 2" Hinges (14) to (G) panel with screw (4) as shown.

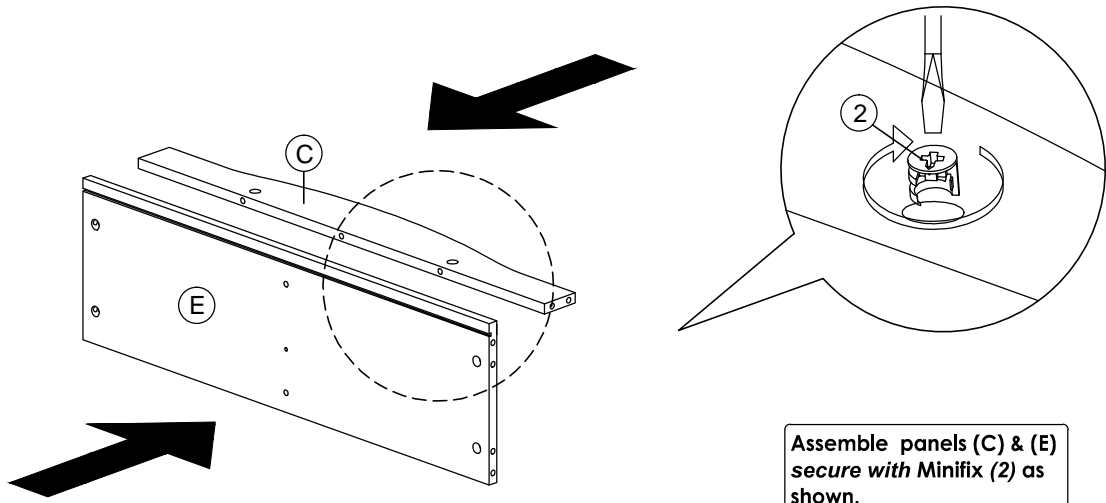


Install 2pcs 8" Chest Stay (13) with screw (4) to panels (A) & (B) as shown.

Install 4pcs Hinges to panels (A)&(B) as shown.

Attach 2pcs Magnet (16) to panel (F) as shown.

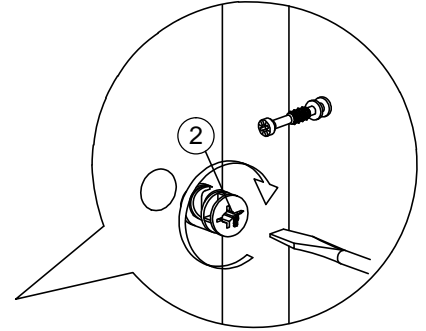
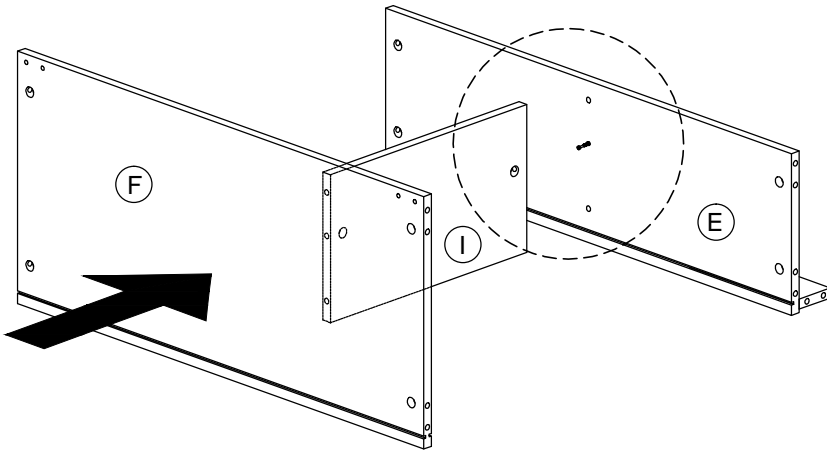
STEP 4



Assemble panels (C) & (E) secure with Minifix (2) as shown.

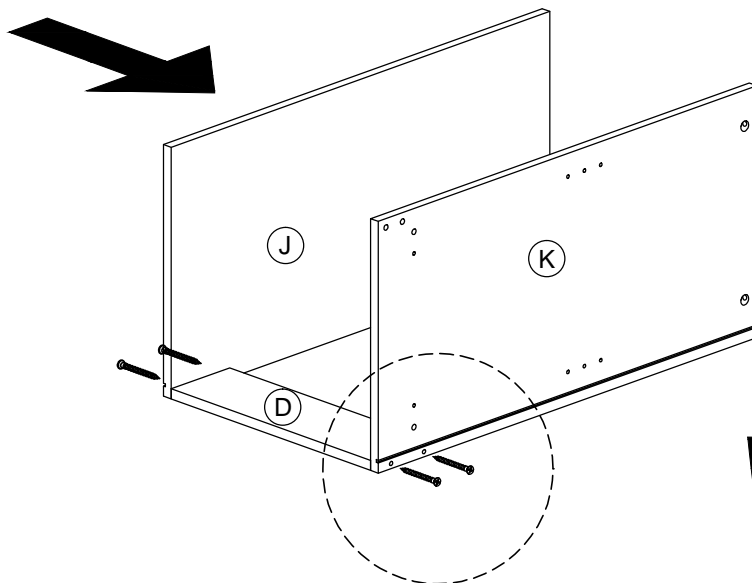
Assembly Instruction

STEP 5

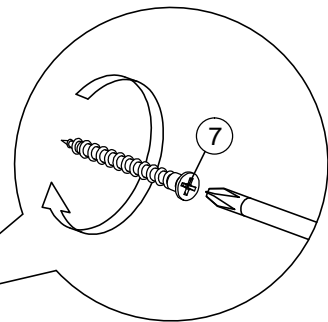


Assemble panels (I) in between panels (E) and (F), and secure them with Minifix (2) as shown.

STEP 6

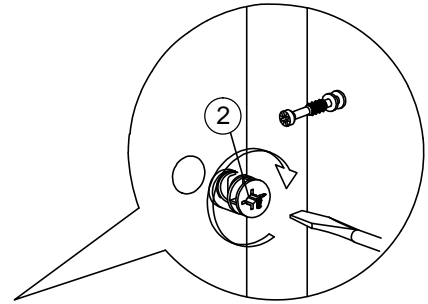
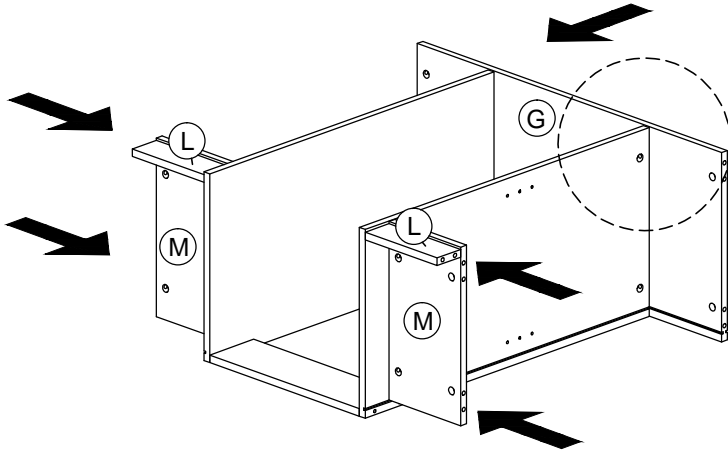


Assemble panels (J) and (K) to panel (D), and secure them with screw (7) as shown.



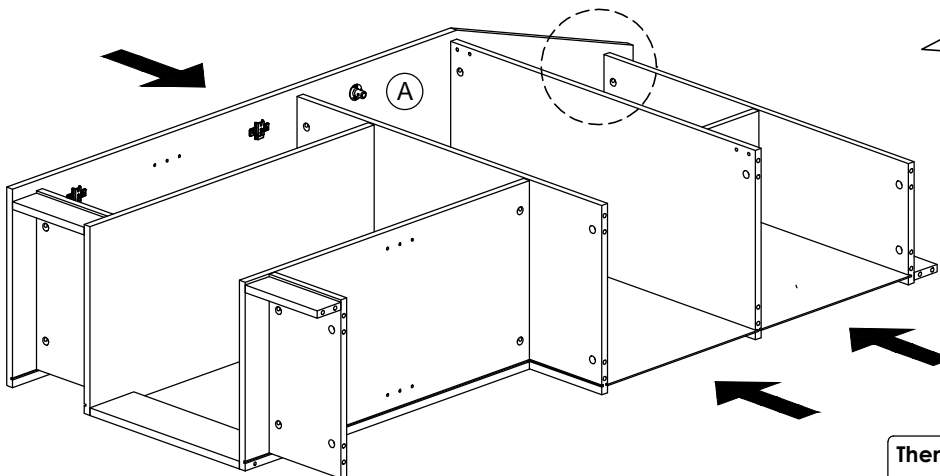
Assembly Instruction

STEP 7

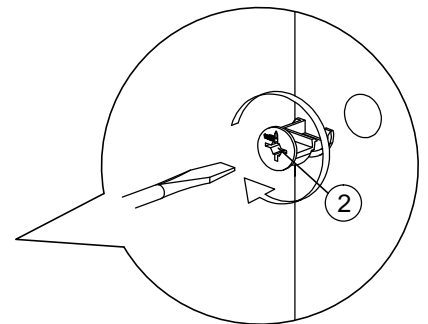


First assemble panels (G) & (M) and secure them with Minifix (2) as shown. Then, assemble panels (L) as shown.

STEP 8



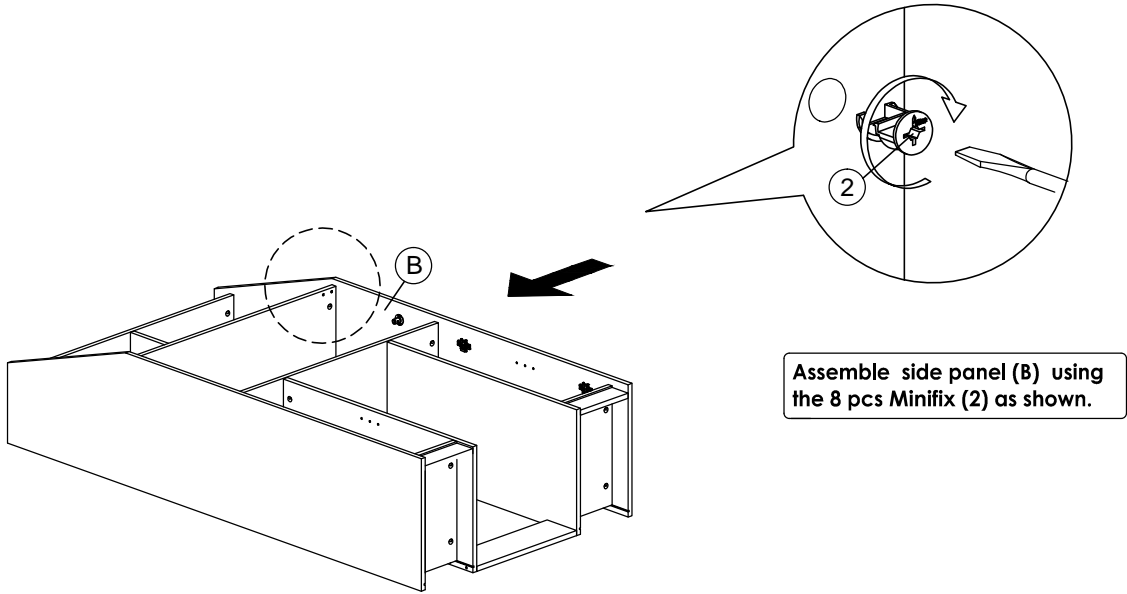
Assemble side panel (A) secure with 8 pcs Minifix (2) as shown.



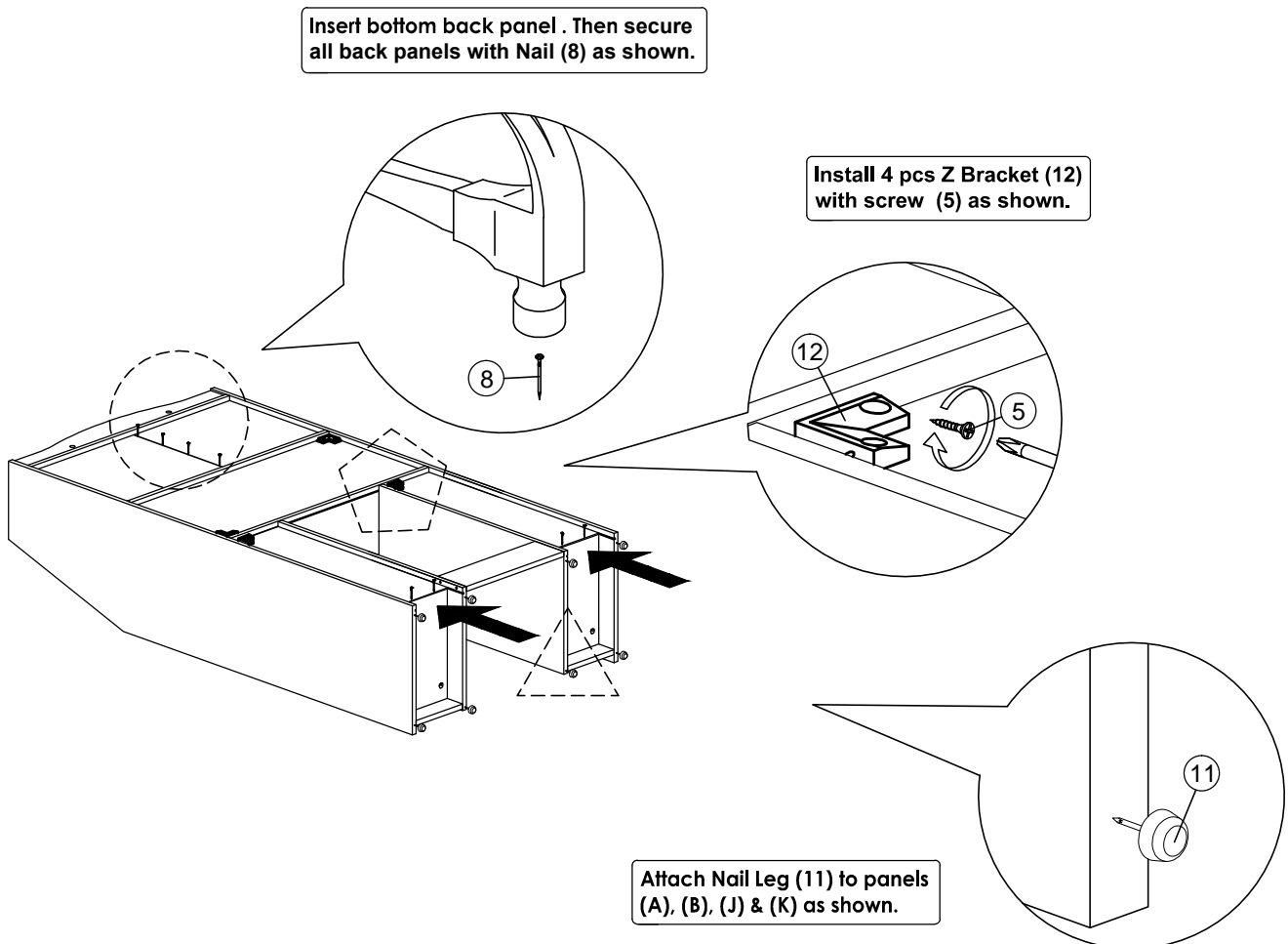
Then Insert back panels as shown.

Assembly Instruction

STEP 9

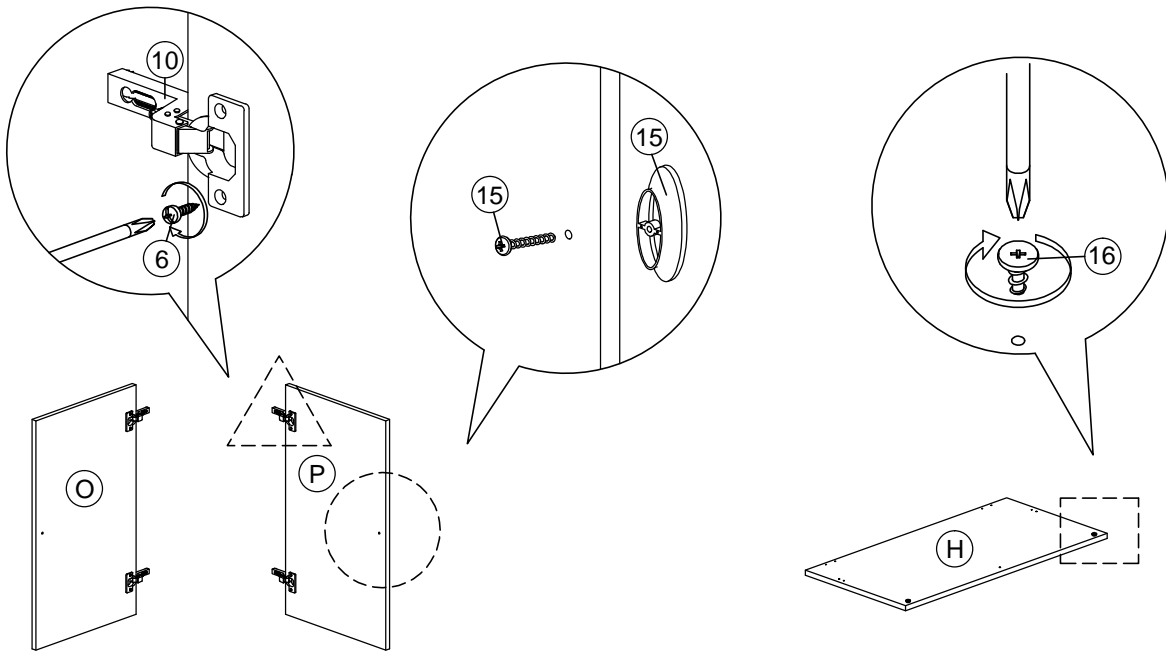


STEP 10



Assembly Instruction

STEP 11

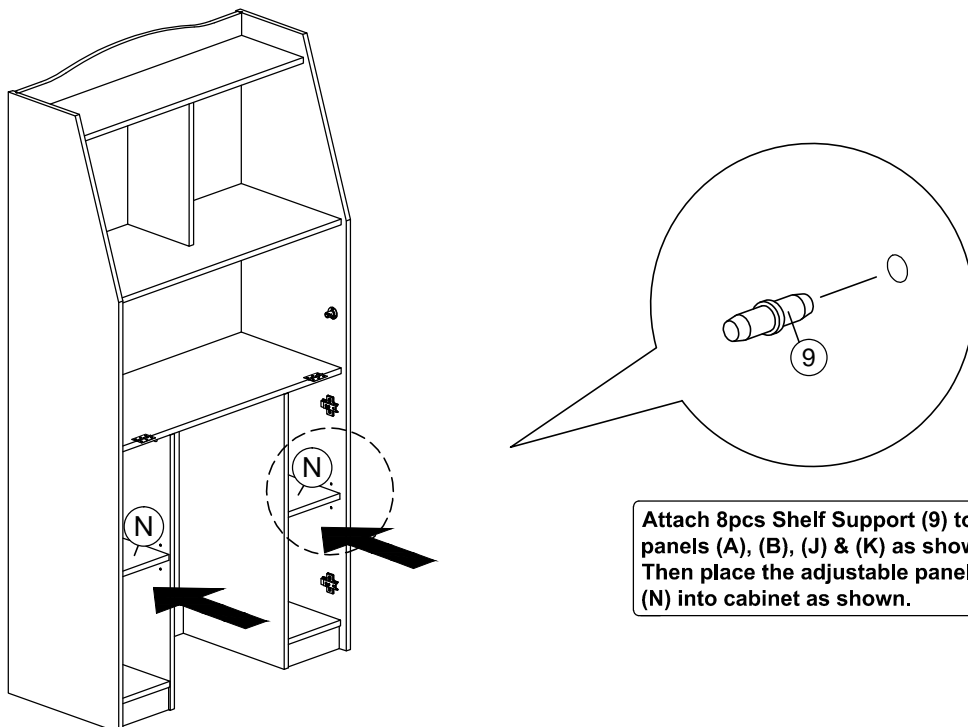


Install 4 pcs Hinges (10) with screw (6) to panels (O) & (P) as shown.

Install Handle with screw (15) to panels (H), (O) & (P) as shown.

Install Magnet Screw (16) to panel (H) as shown.

STEP 12

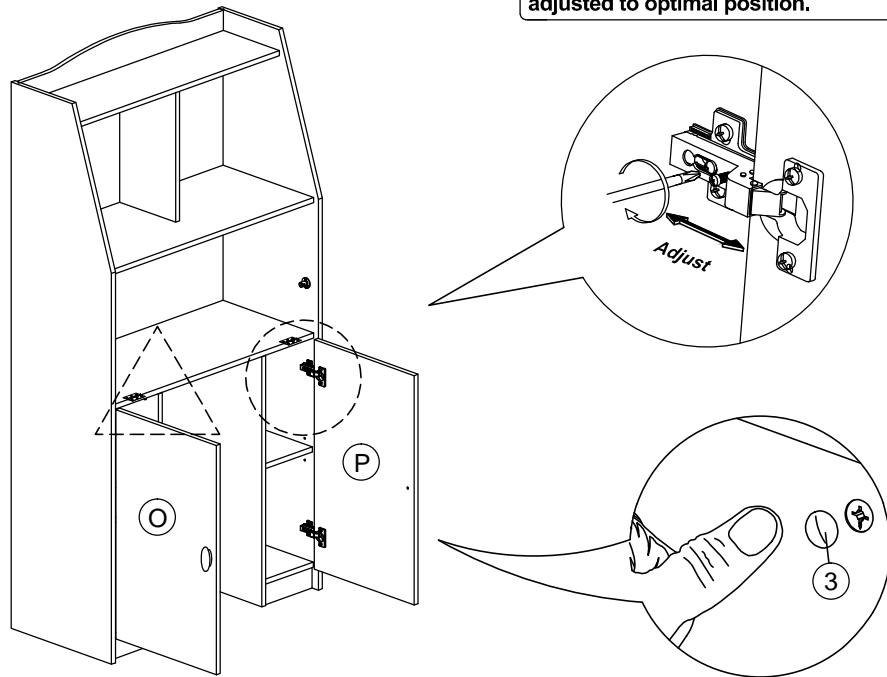


Attach 8pcs Shelf Support (9) to panels (A), (B), (J) & (K) as shown. Then place the adjustable panels (N) into cabinet as shown.

Assembly Instruction

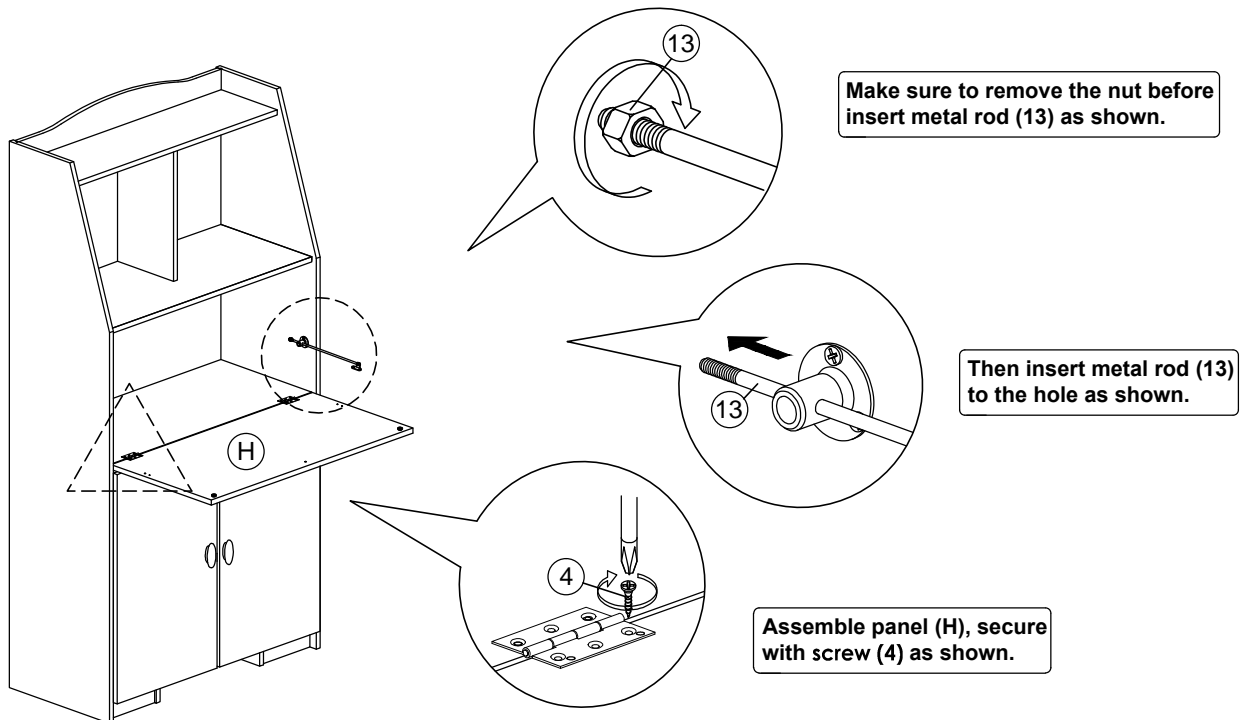
STEP 13

Assemble door panels (O) & (P), then tighten the Hinges after the doors are adjusted to optimal position.



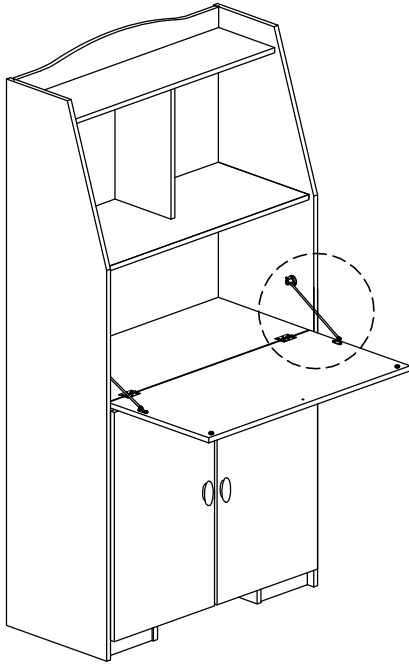
Attach 14pcs Minifix Cap (3) as shown.

STEP 14

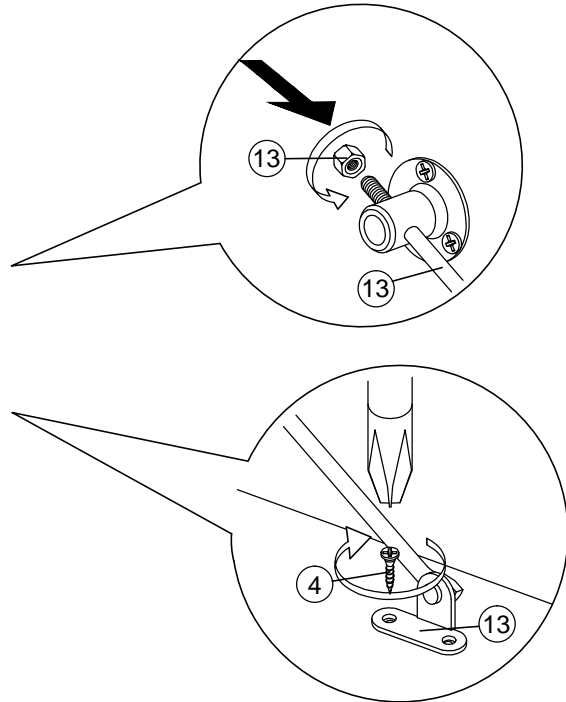


Assembly Instruction

STEP 15

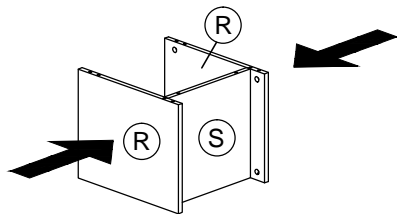


Insert nut again & adjust to desired position as shown.



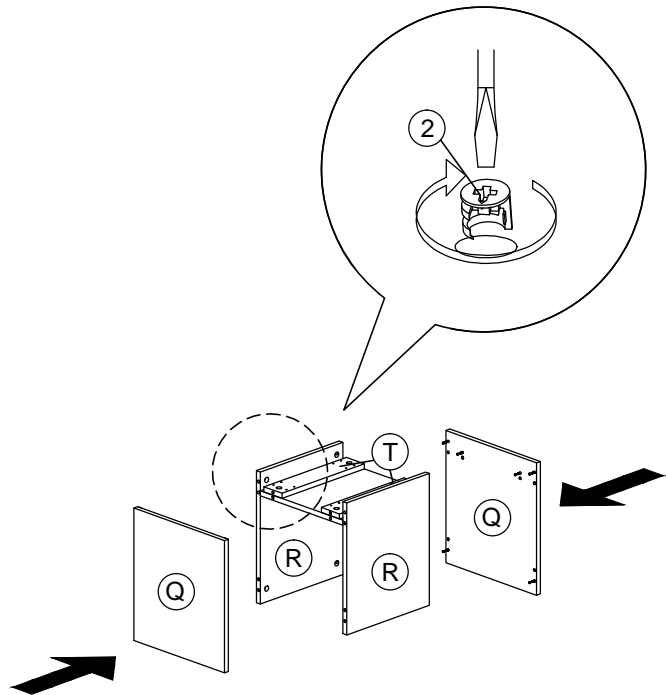
Secure 8" Chest Stay (13) with screw (4) as shown.

STEP 16



Join (R) & (S) panels as shown.

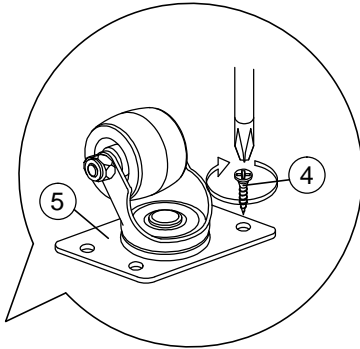
STEP 17



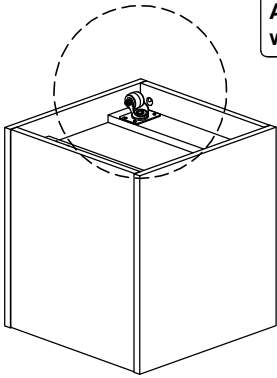
Assemble (Q), (R) & (T) panels secure with Minifix (2) as shown. (Use hardware Stool)

Assembly Instruction

STEP 18

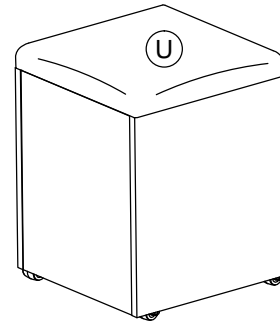


Assemble all Castor (5)
with Screw (4) as shown.



STEP 19

Attach Cushion as shown.



COMPLETED

