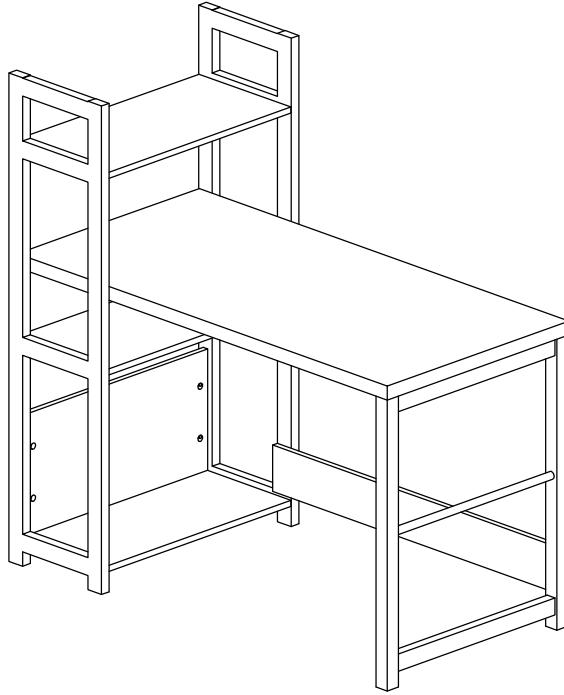


Assembly Instruction

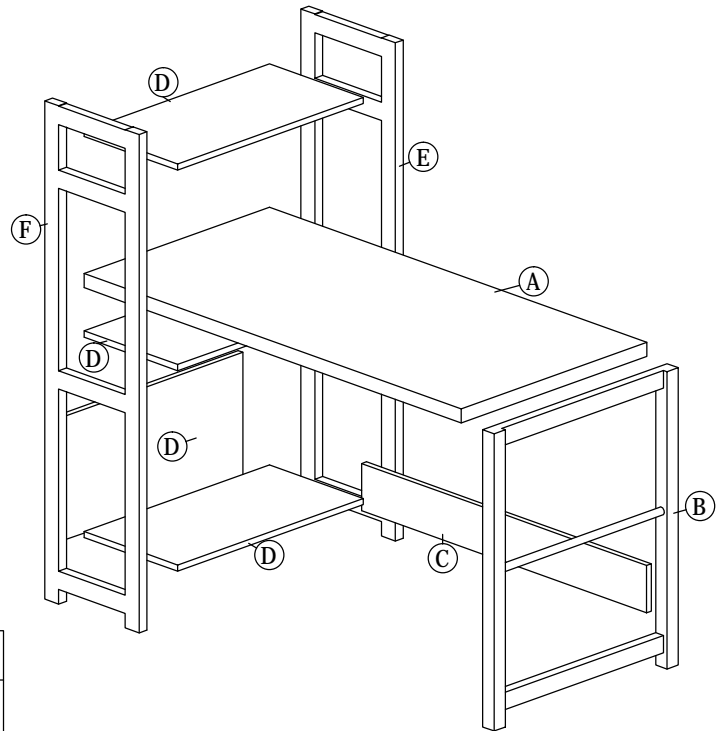
Model : SD - 07



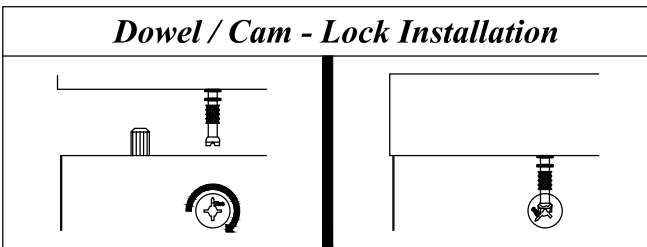
Part List

Hardware List

No.	SHAPE	DESCRIPTION	Qty.
1		8x25mm Wood Dowel	22Pcs
2		15MM Titus Minifix	23Sets
3		15mm Minifix Cap	5Pcs
4		15mm Minifix Cap	2Pcs
5		Screw Cap	1Pc
6		M4x38mm Screw	1Pc
7		Nail Leg	6 Pcs

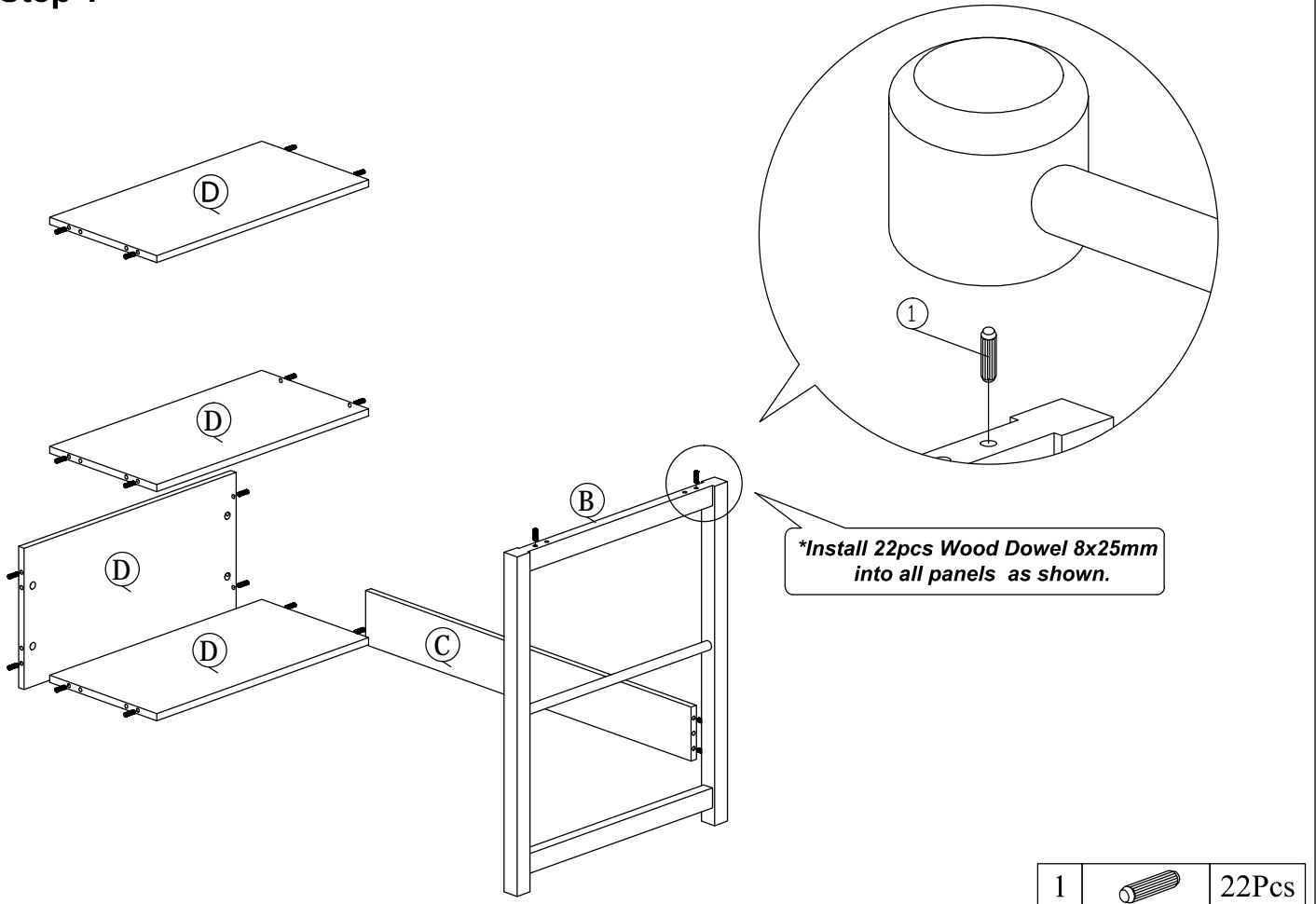


Dowel / Cam - Lock Installation

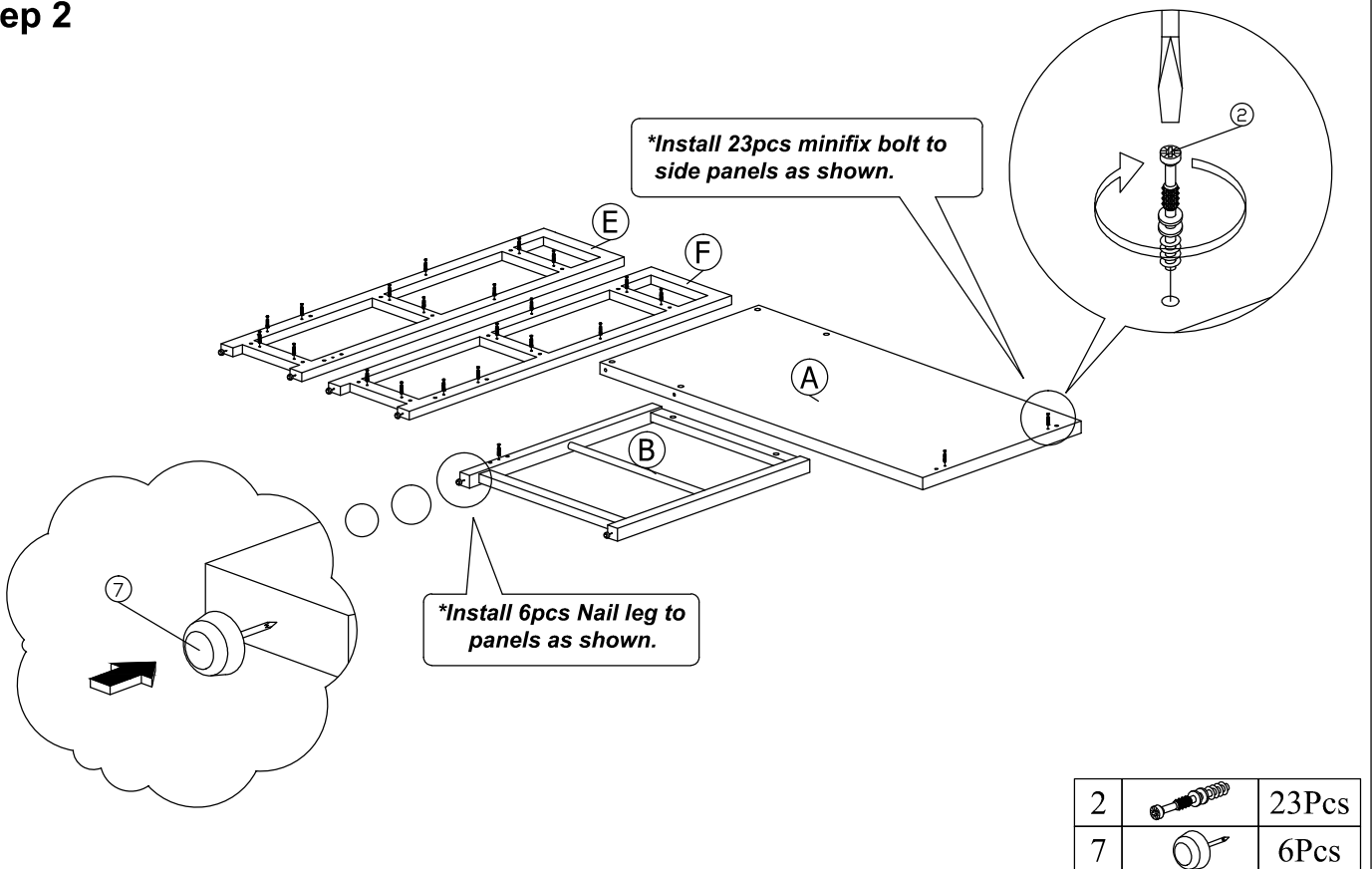


Assembly Instruction

Step 1

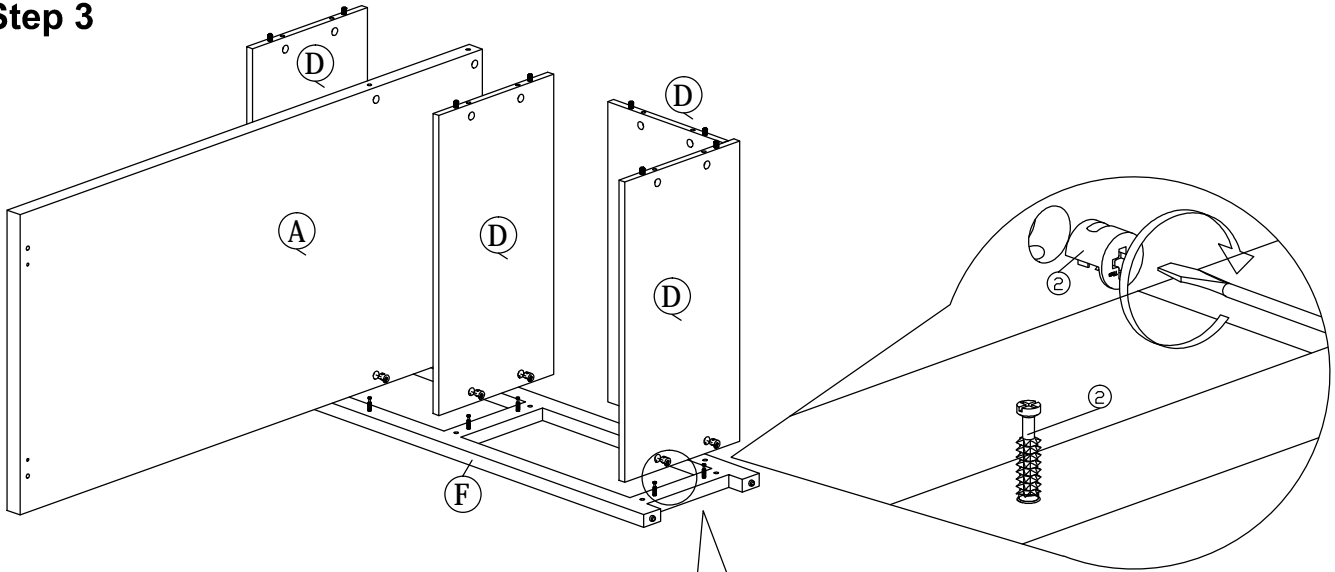


Step 2



Assembly Instruction

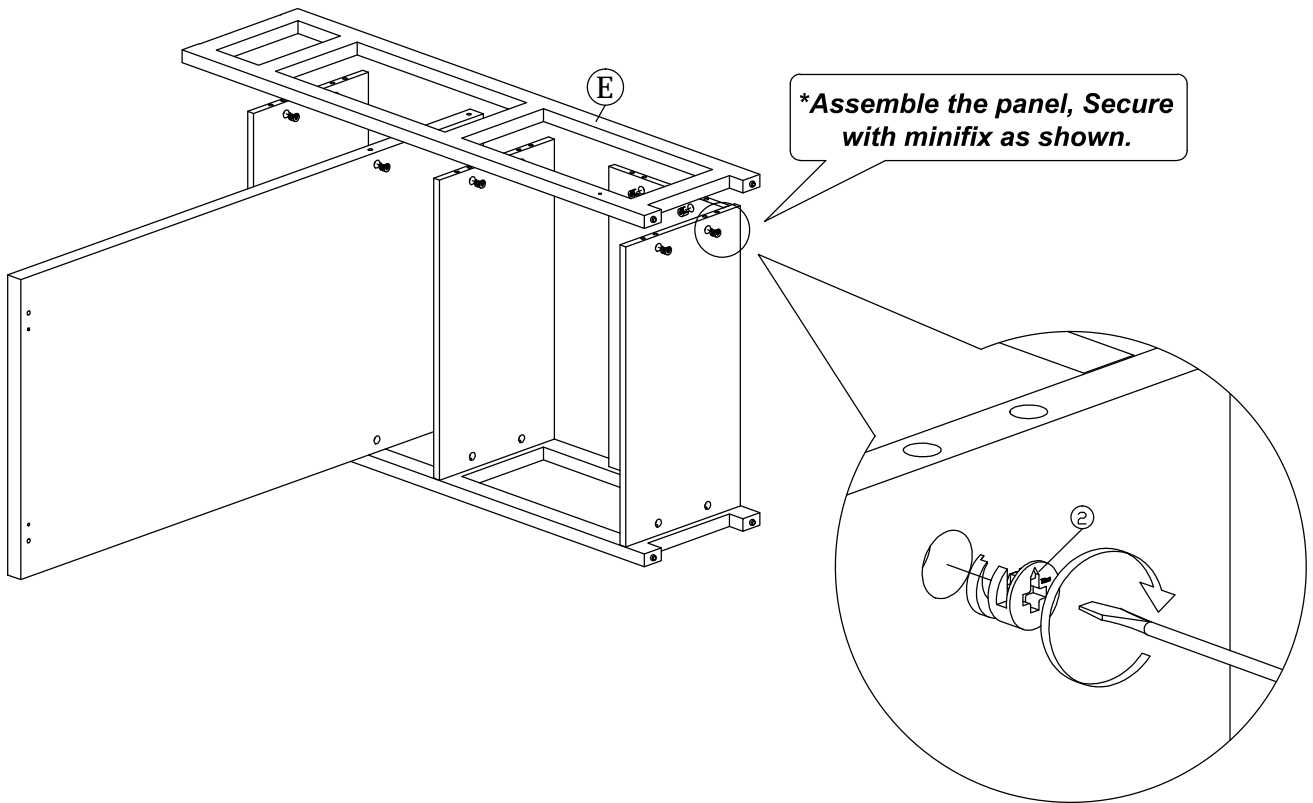
Step 3



***Assemble the panel, Secure with minifix as shown.**

2		10Pcs
---	---	-------

Step 4



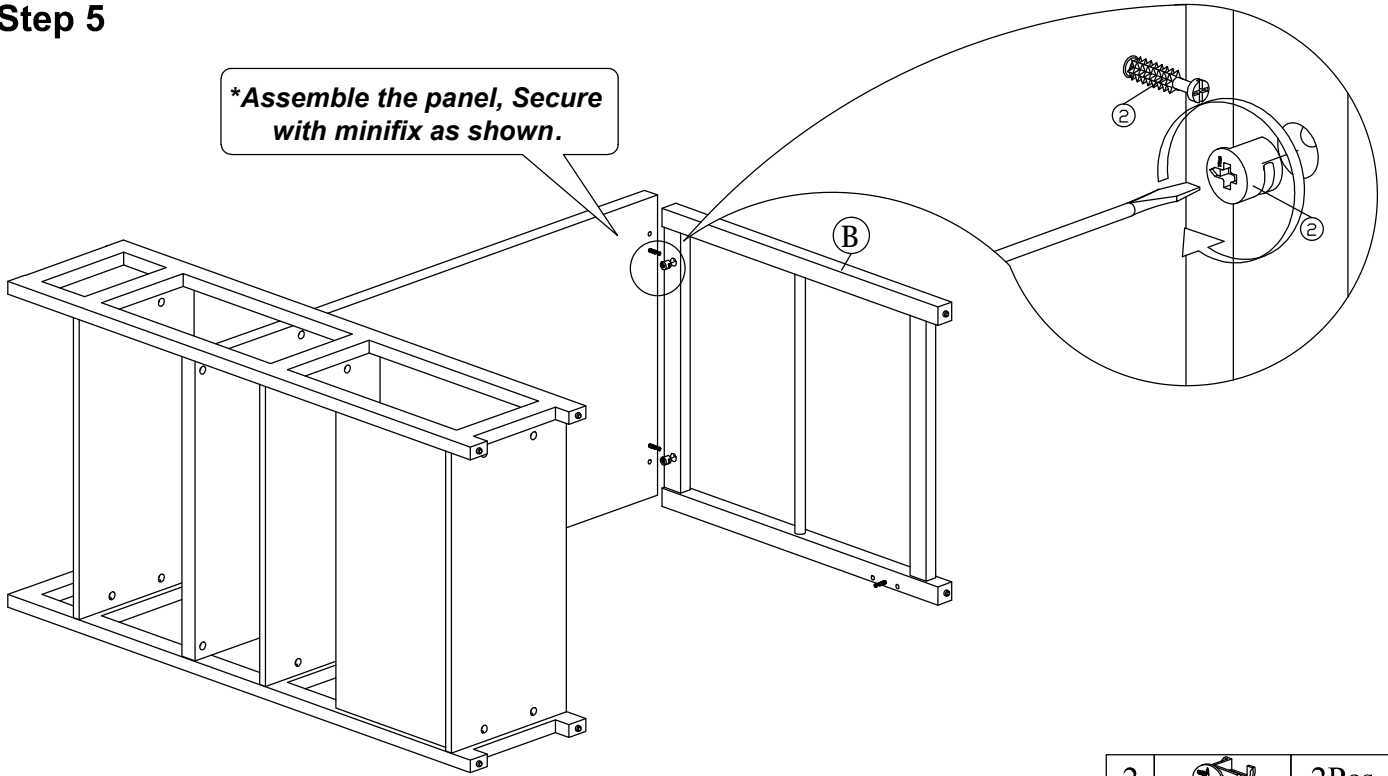
***Assemble the panel, Secure with minifix as shown.**

2		10Pcs
---	---	-------

Assembly Instruction

Step 5

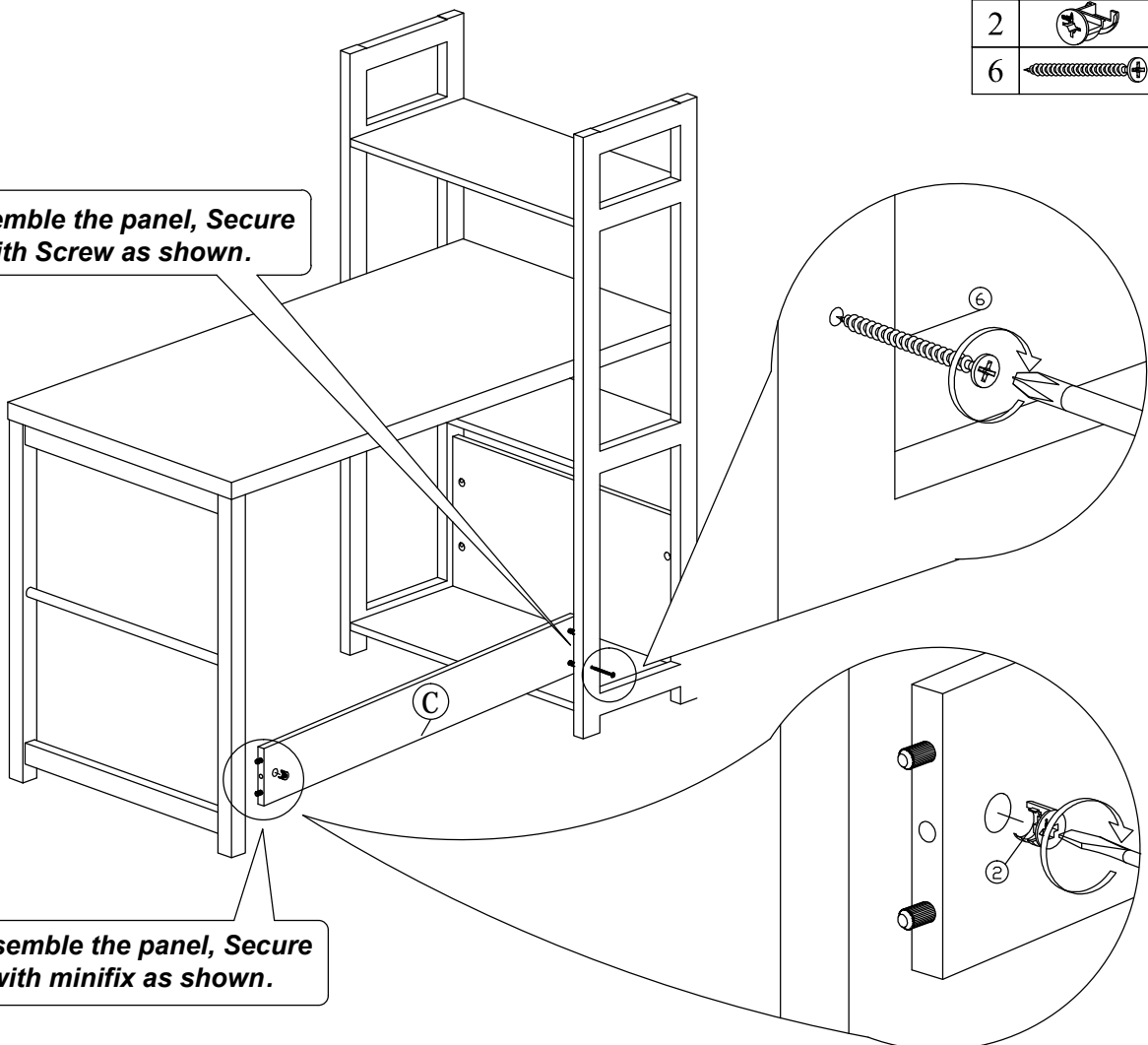
***Assemble the panel, Secure with minifix as shown.**





2		2Pcs
---	---	------

Step 6

***Assemble the panel, Secure with Screw as shown.**

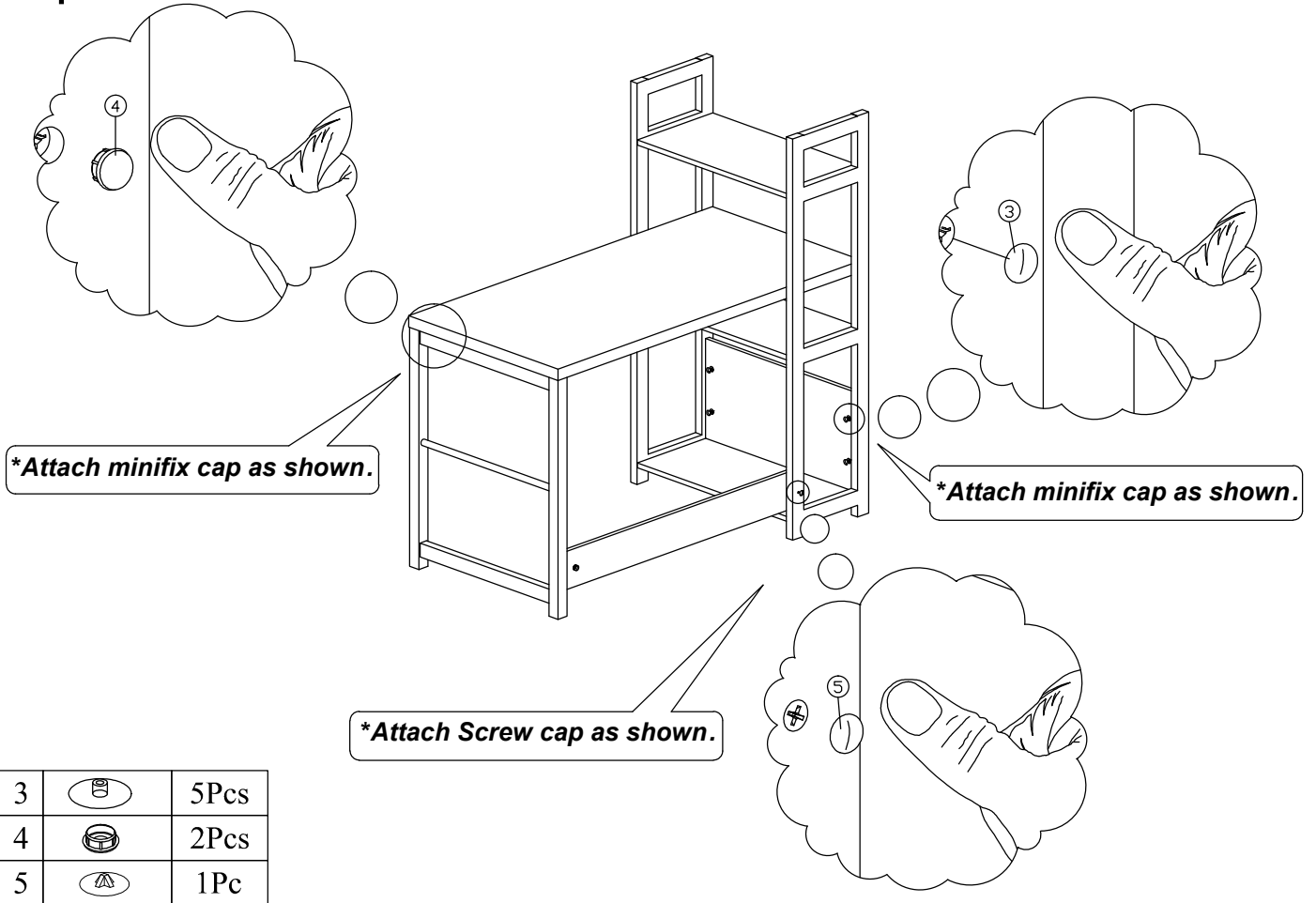


2		1Pc
6		1Pc

***Assemble the panel, Secure with minifix as shown.**

Assembly Instruction

Step 7



3		5Pcs
4		2Pcs
5		1Pc

Complete

