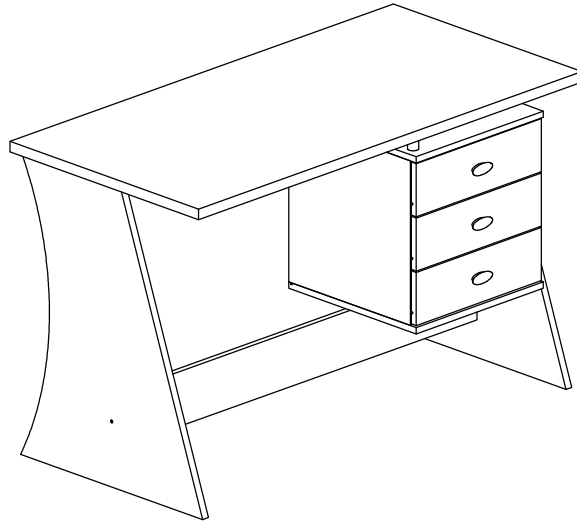
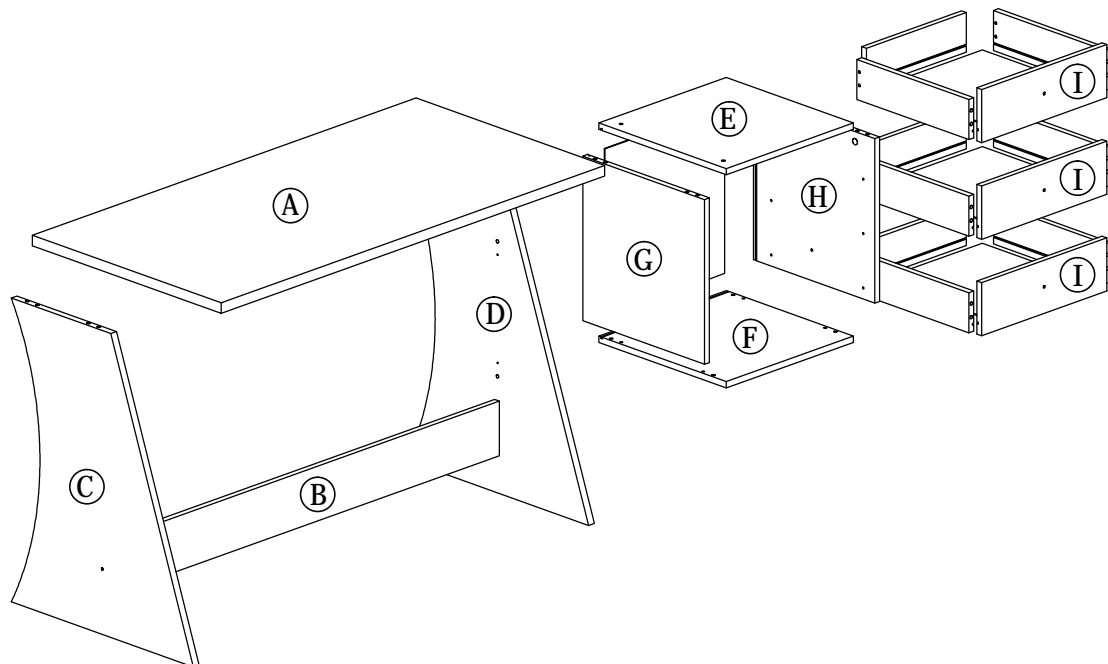


# Assembly Instruction

Model : WI5434



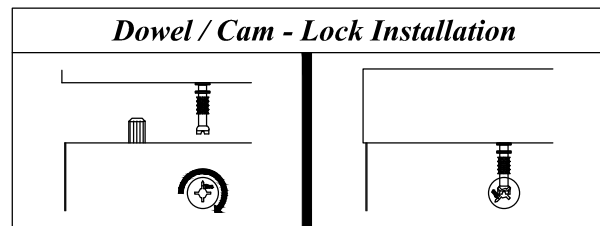
## Part List



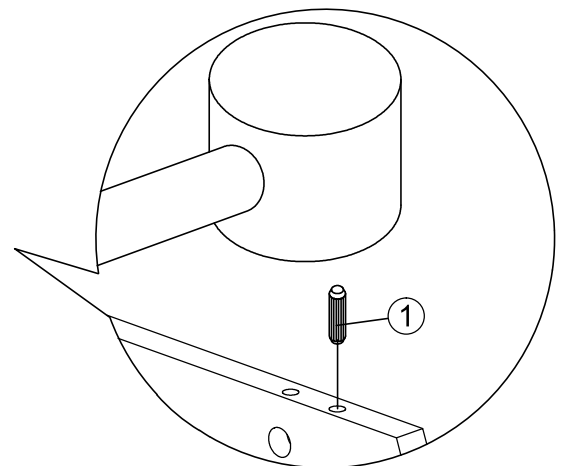
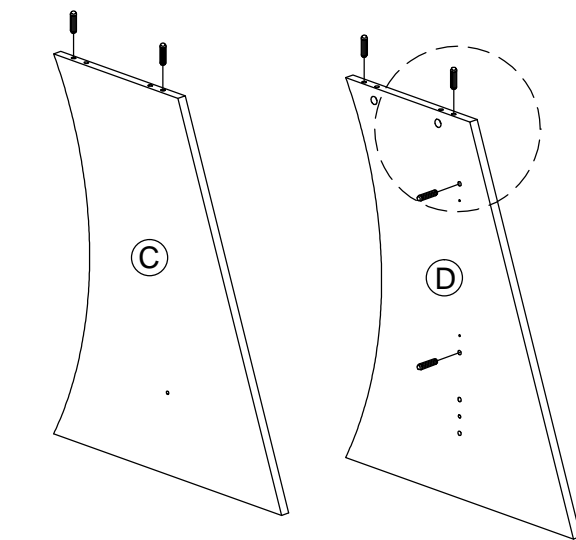
# Assembly Instruction

<i>Hardware List</i>			
No.	SHAPE	DESCRIPTION	Qty.
1		<b>8x25mm Wood Dowel</b>	24Pcs
2		<b>15MM Titus Minifix</b>	14Sets
3		<b>15mm Minifix Cap</b>	10Pcs
4		<b>M3.5x15mm Screw</b>	12Pcs
5		<b>M4x38mm Screw</b>	12Pcs
6		<b>M5x38mm Screw</b>	4Pcs
7		<b>L Key</b>	1Pc
8		<b>Nail Leg</b>	4 Pcs
9		<b>Drawer Slide=350mm</b>	3 Sets
10		<b>Steel Pipe Ø25 X 79mm</b>	2 Pcs
11		<b>JCBC Screw M6X25mm</b>	2 Pcs

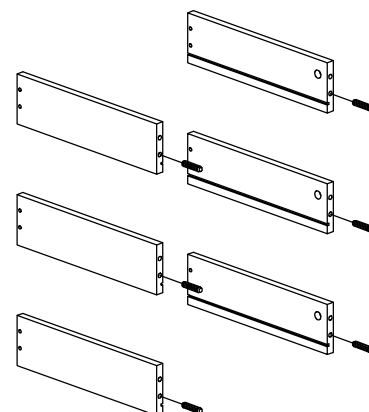
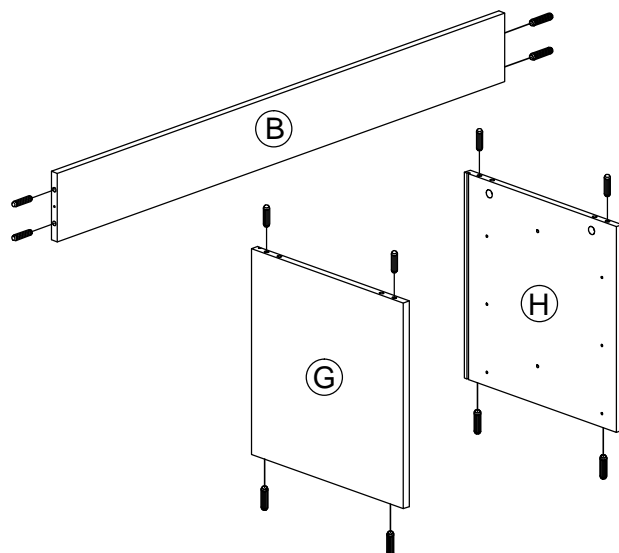
12		<b>M5 X 8mm(Euro Screw)</b>	12 Pcs
13		<b>Z Bracket (Big)</b>	2 Pcs
14		<b>M3x16mm Screw</b>	4 Pcs
15		<b>Handle Knob (P058) Plastic M3.6x24mm Handle Screw</b>	3 Sets
16		<b>M4x32mm Screw</b>	2Pcs
17		<b>M4x45mm Screw</b>	2Pcs
18		<b>Screw Cap</b>	2 Pcs



## STEP 1

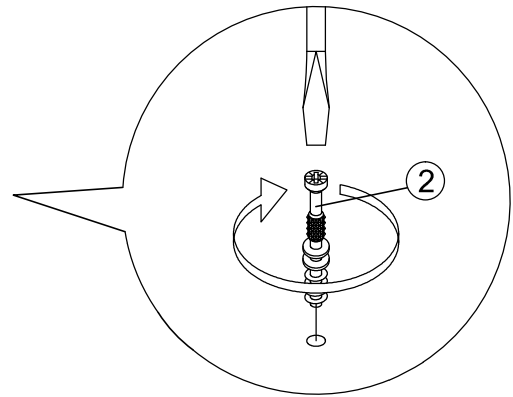
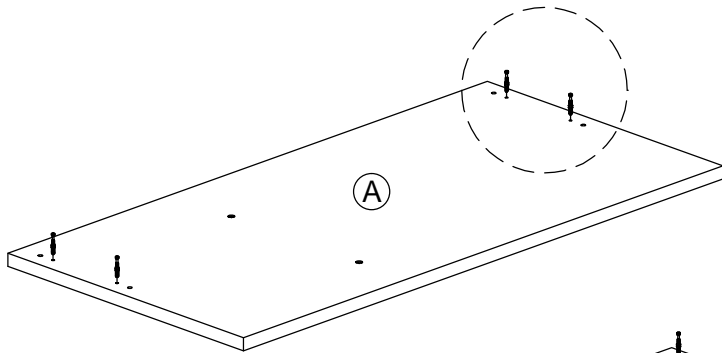


**\*Install all 8x25mm Wood Dowel into all panels as shown.**

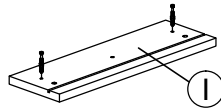
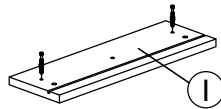
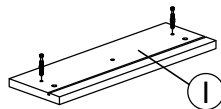
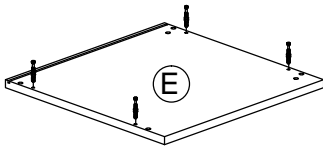


# Assembly Instruction

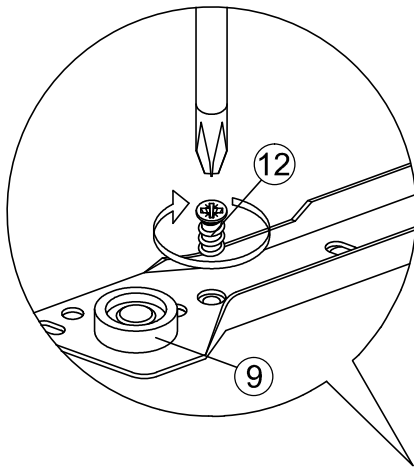
## STEP 2



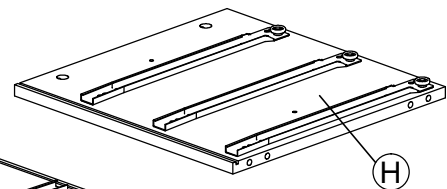
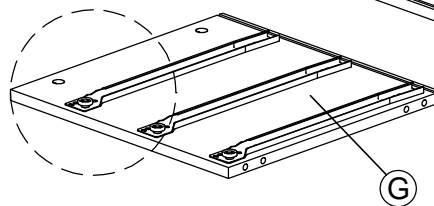
***\*Install All Minifix Bolt to all panels as shown.***



## STEP 3

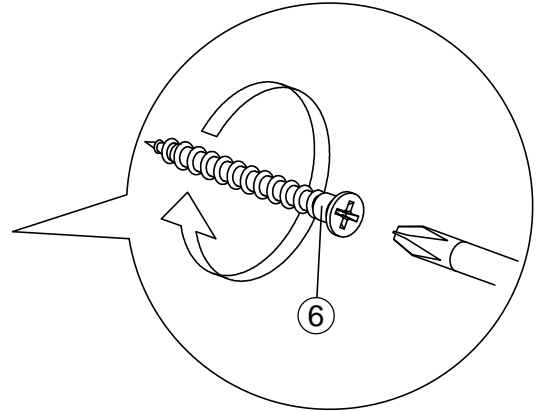
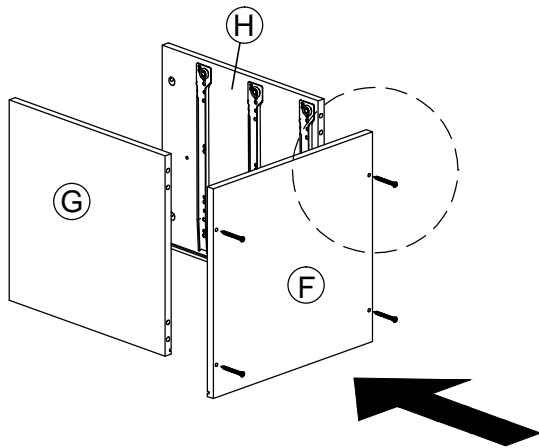


***\*Install Drawer Slide to panels (G) & (H) with screw as shown.***



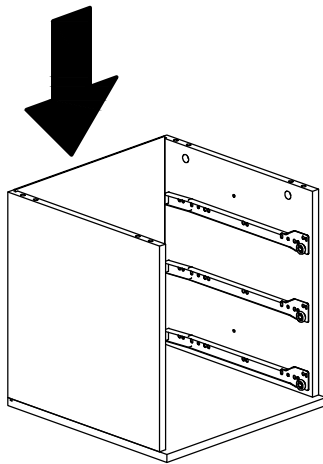
# Assembly Instruction

## STEP 4



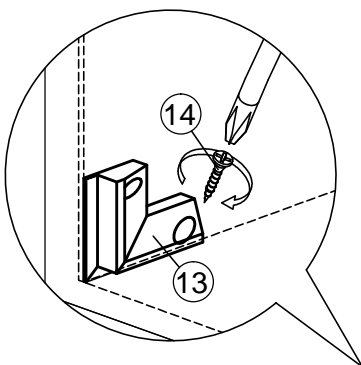
**\*Assemble Panel (F) secure with screw as shown.**

## STEP 5

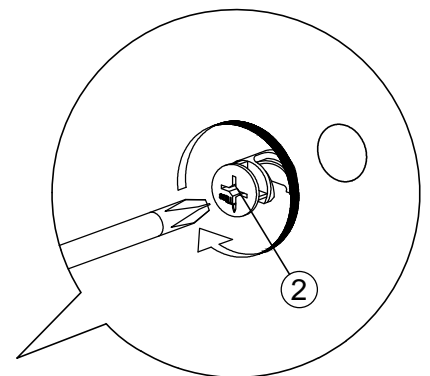
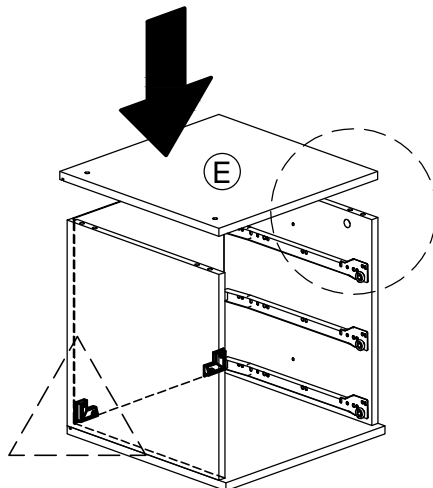


**\*Insert back panel as shown.**

## STEP 6



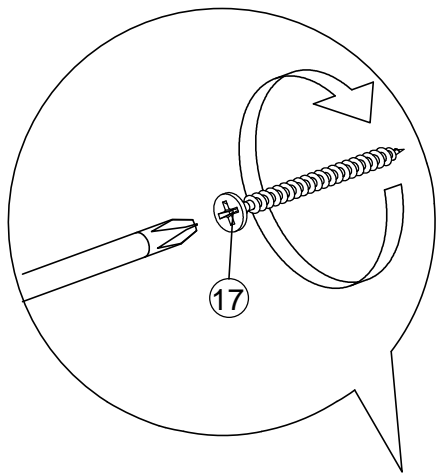
**\*Install 2 Pcs Z Bracket with screw as shown.**



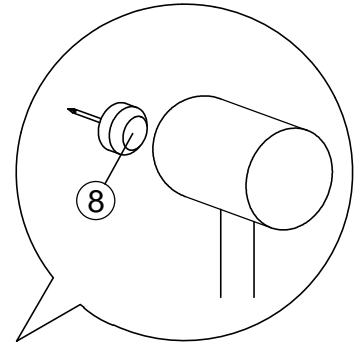
**\*Assemble Panel (E) secure with Minifix as shown.**

# Assembly Instruction

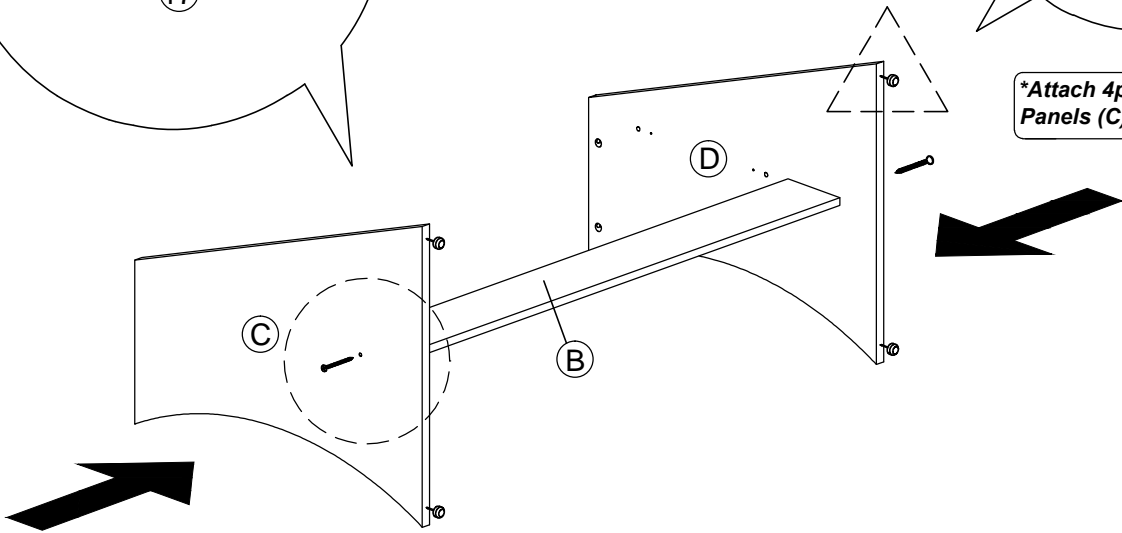
## STEP 7



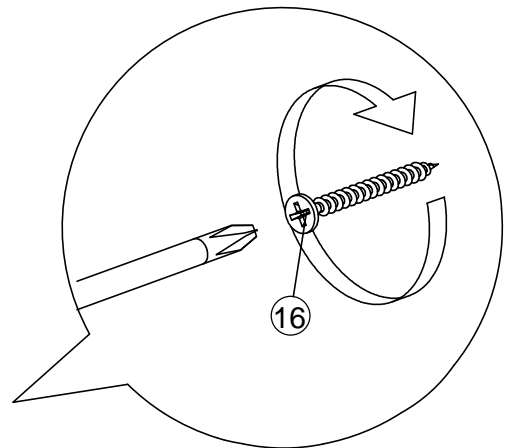
**\*Assemble panel (B) in between Panel (C) & (D), secure with Screw as shown.**



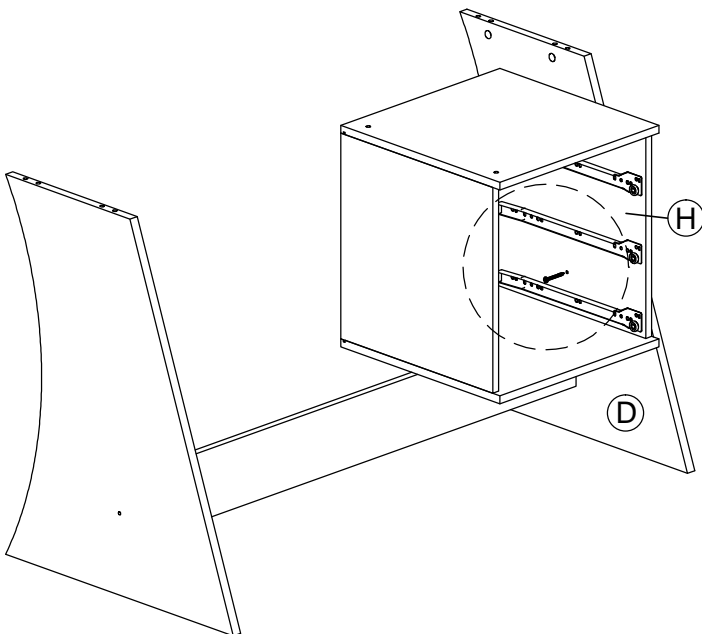
**\*Attach 4pcs Nail Leg to Panels (C) & (D) as shown.**



## STEP 8

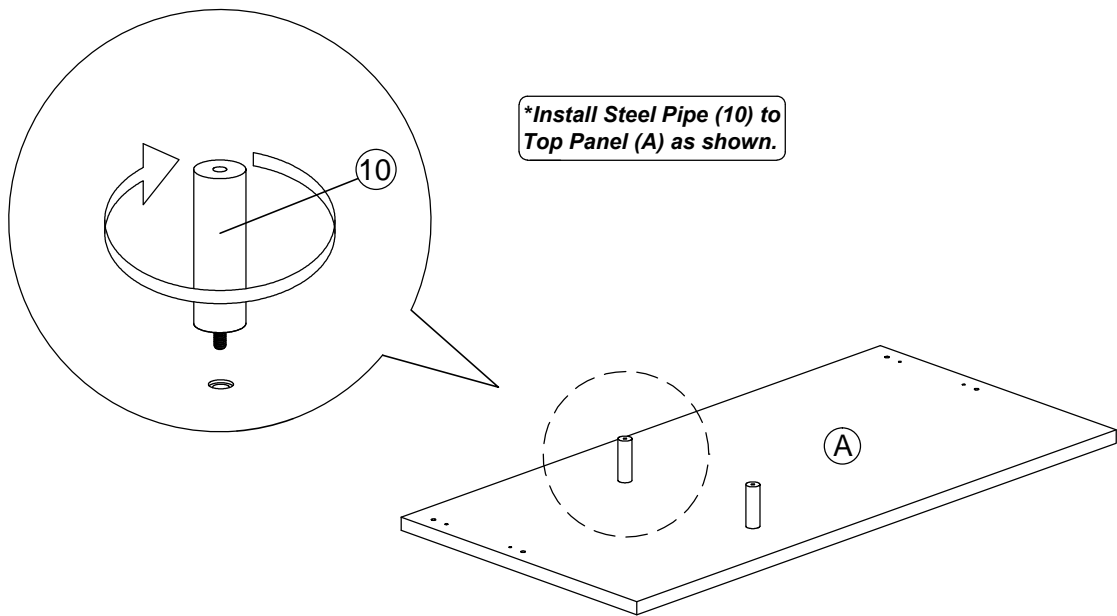


**\*Assemble Panel (H) to Panel (D) secure with Screw as shown.**

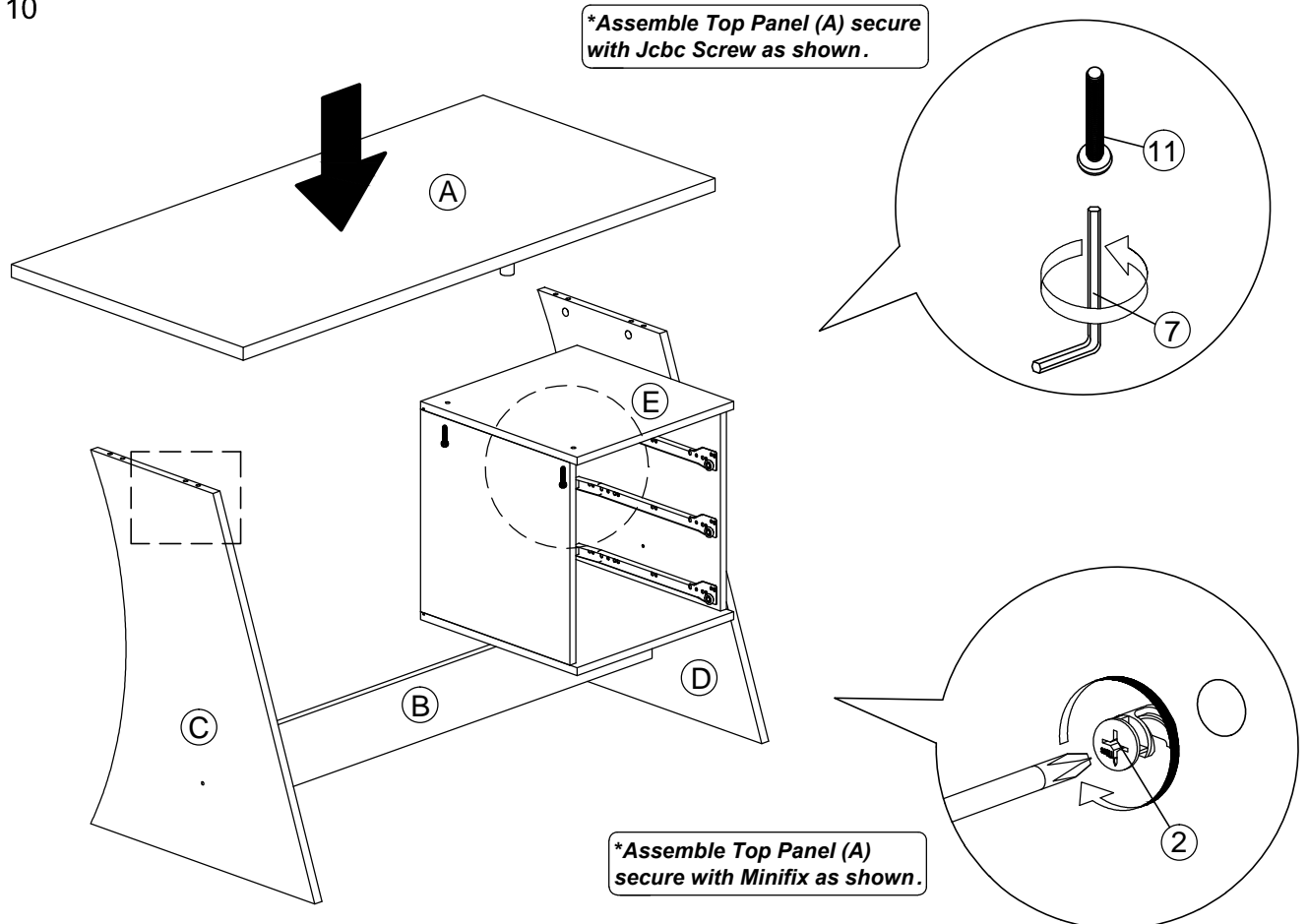


# Assembly Instruction

## STEP 9



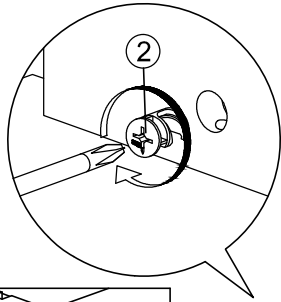
## STEP 10



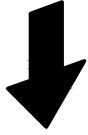
# Assembly Instruction

## STEP 11

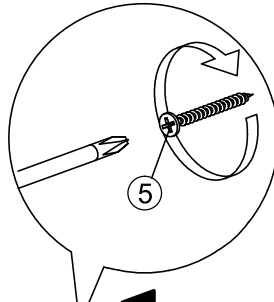
**\*Assemble drawer side secure with Minifix as shown.**



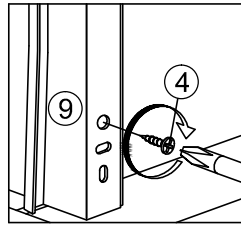
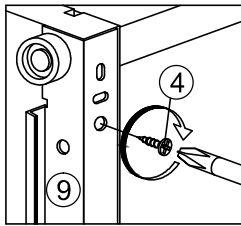
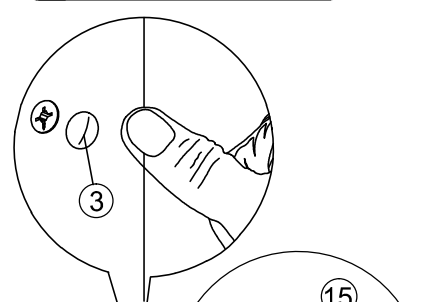
**\*Insert drawer bottom as shown.**



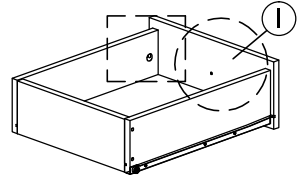
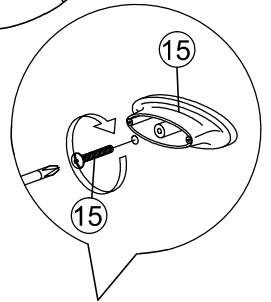
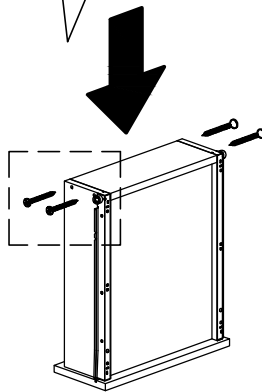
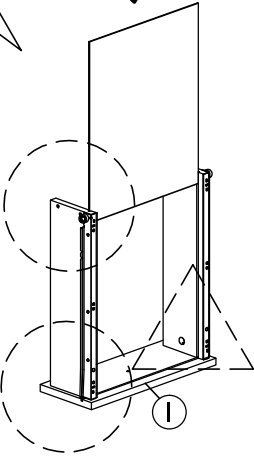
**\*Insert drawer back, secure with screw as shown.**



**\*Attach Minifix Cap to both drawer side panels as shown.**



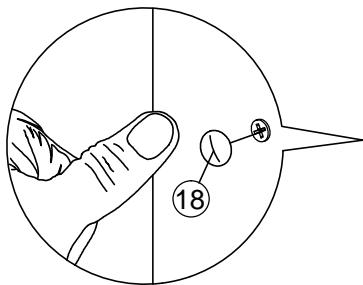
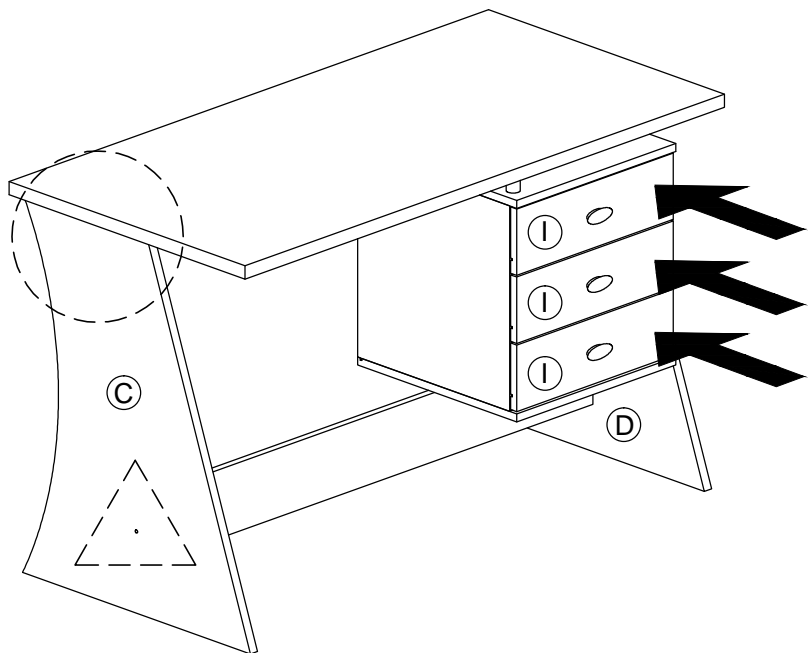
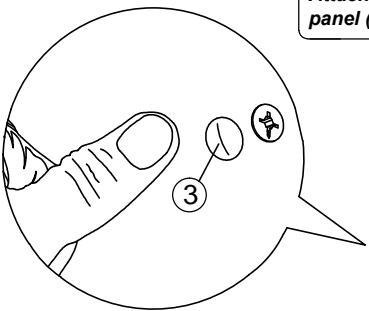
**\*Assemble drawer slide, secure with screw as shown**



**\*Install Handle to Drawer Front (I) with screw as shown.**

## STEP 12

**\*Attach 4Pcs Minifix Cap to panel (C) & (D) as shown.**



**\*Attach 2Pcs Screw Cap to panel (C) & (D) as shown.**