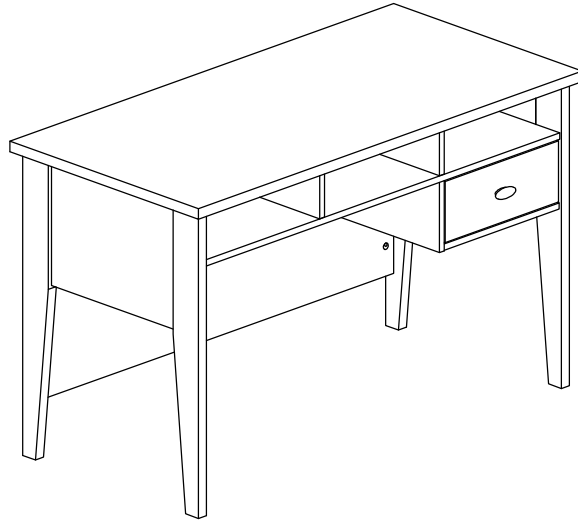
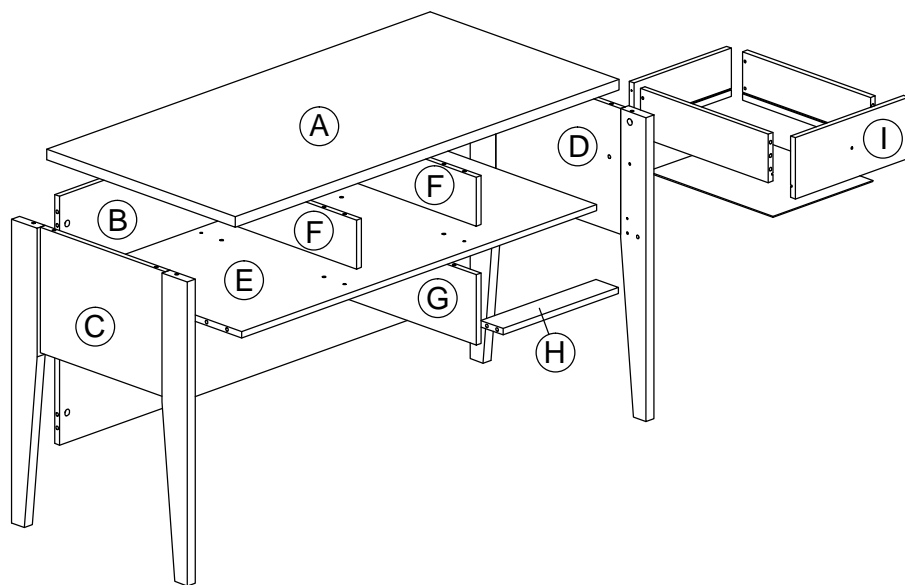


# Assembly Instruction

Model : SD - 04


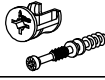


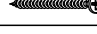
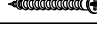




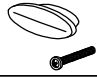

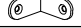
## Part List



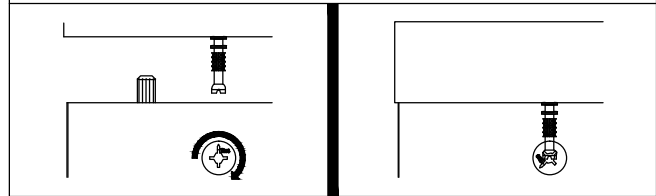
# Assembly Instruction

## Hardware List

No.	SHAPE	DESCRIPTION	Qty.
1		8x25mm Wood Dowel	28Pcs
2		15MM Titus Mini Fix	24Sets
3		Minifix Cap	16Pcs
4		M3.5x15mm Screw	6Pcs
5		M4x38mm Screw	4Pcs
6		M5x38mm Screw	4Pcs
7		Drawer Slide = 400 mm	1Set

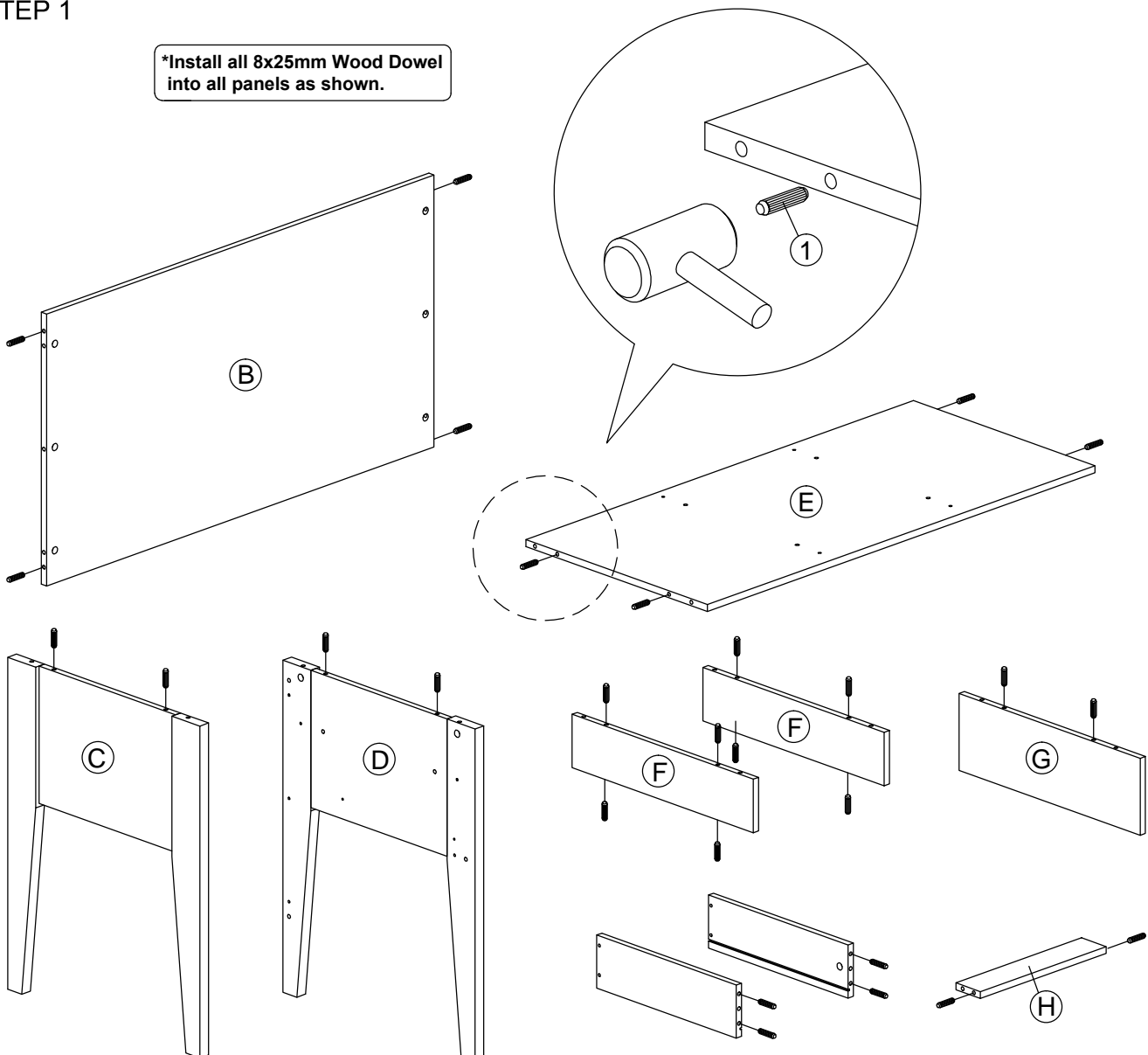
8		Nail Leg	4Pcs
9		Handle Knob (P058) Plastic M3.6x24mm Handle Screw	1 Set
10		M5x8mm Screw (Euro Screw)	4Pcs
11		L Bracket	1Pc

## Dowel / Cam - Lock Installation



## STEP 1

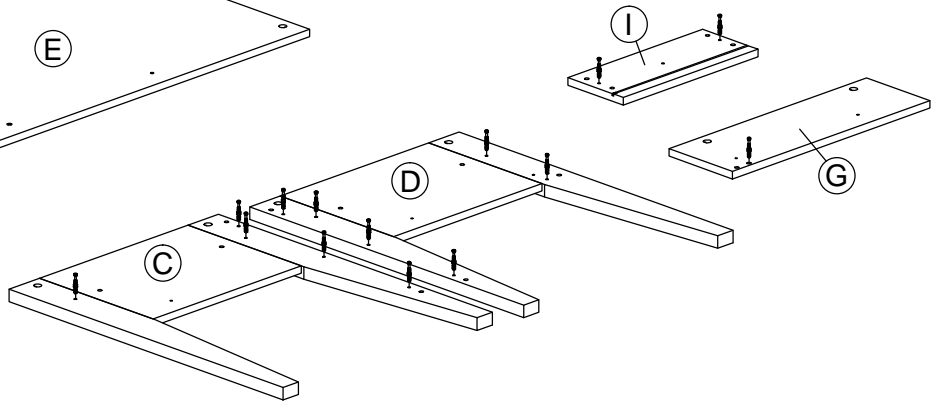
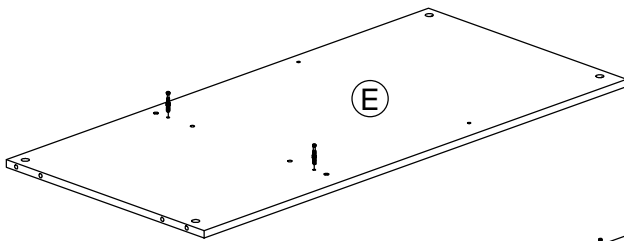
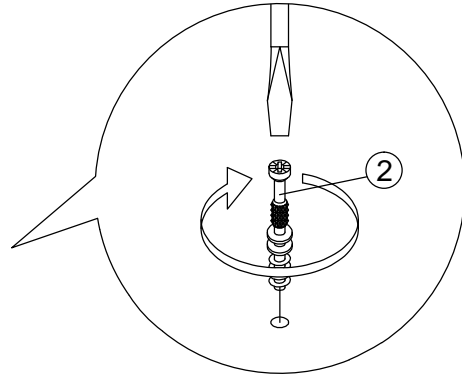
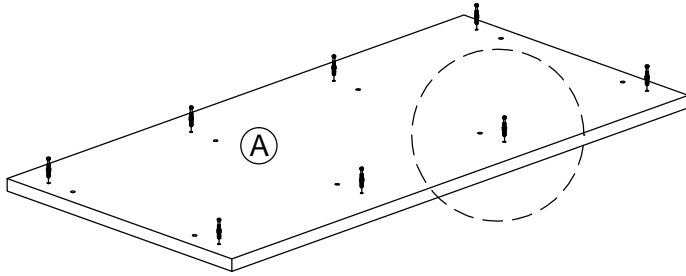
\*Install all 8x25mm Wood Dowel into all panels as shown.



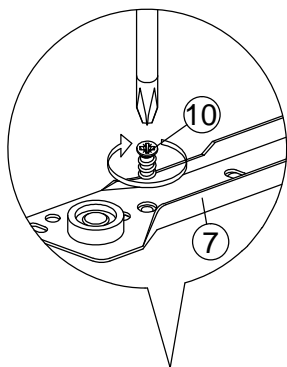
# Assembly Instruction

## STEP 2

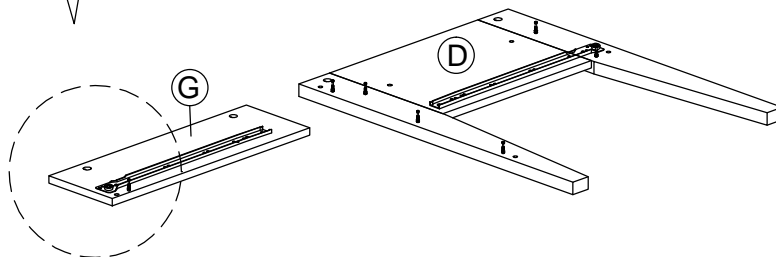
**\*Install All Minifix Bolt to all panels as shown.**



## STEP 3

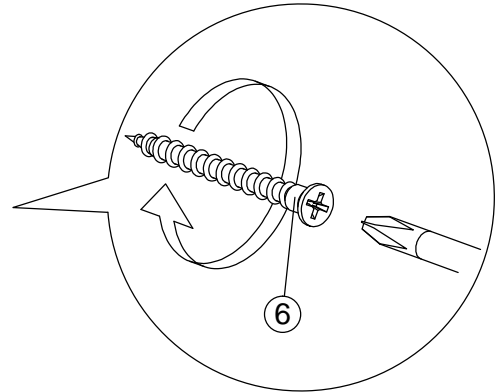
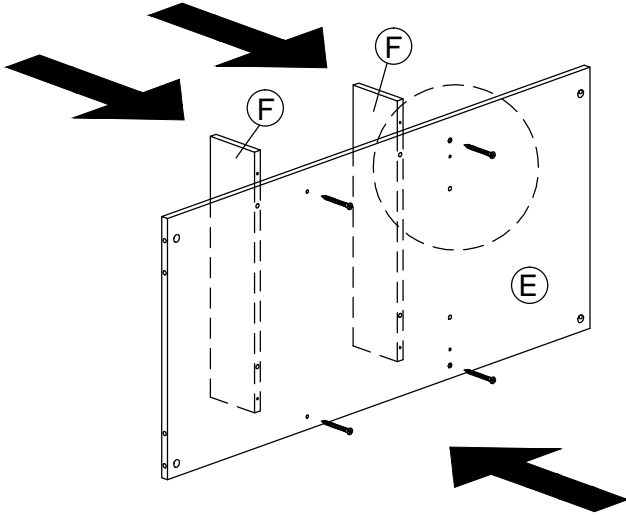


**\*Install 2 pcs Drawer Slide to panels (D) & (G) with screw as shown.**



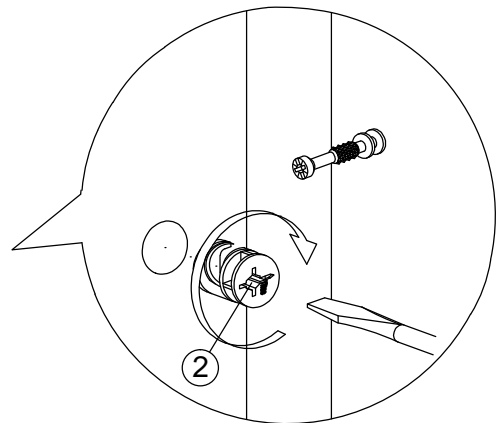
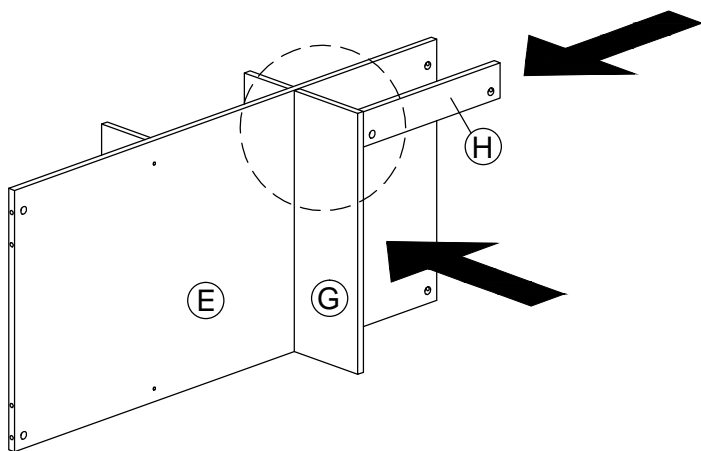
# Assembly Instruction

## STEP 4



*\*Assemble panels (E) & (F),  
secure with screw as shown.*

## STEP 5



*\*Assemble panels (G) & (H)  
secure with Minifix as shown.*

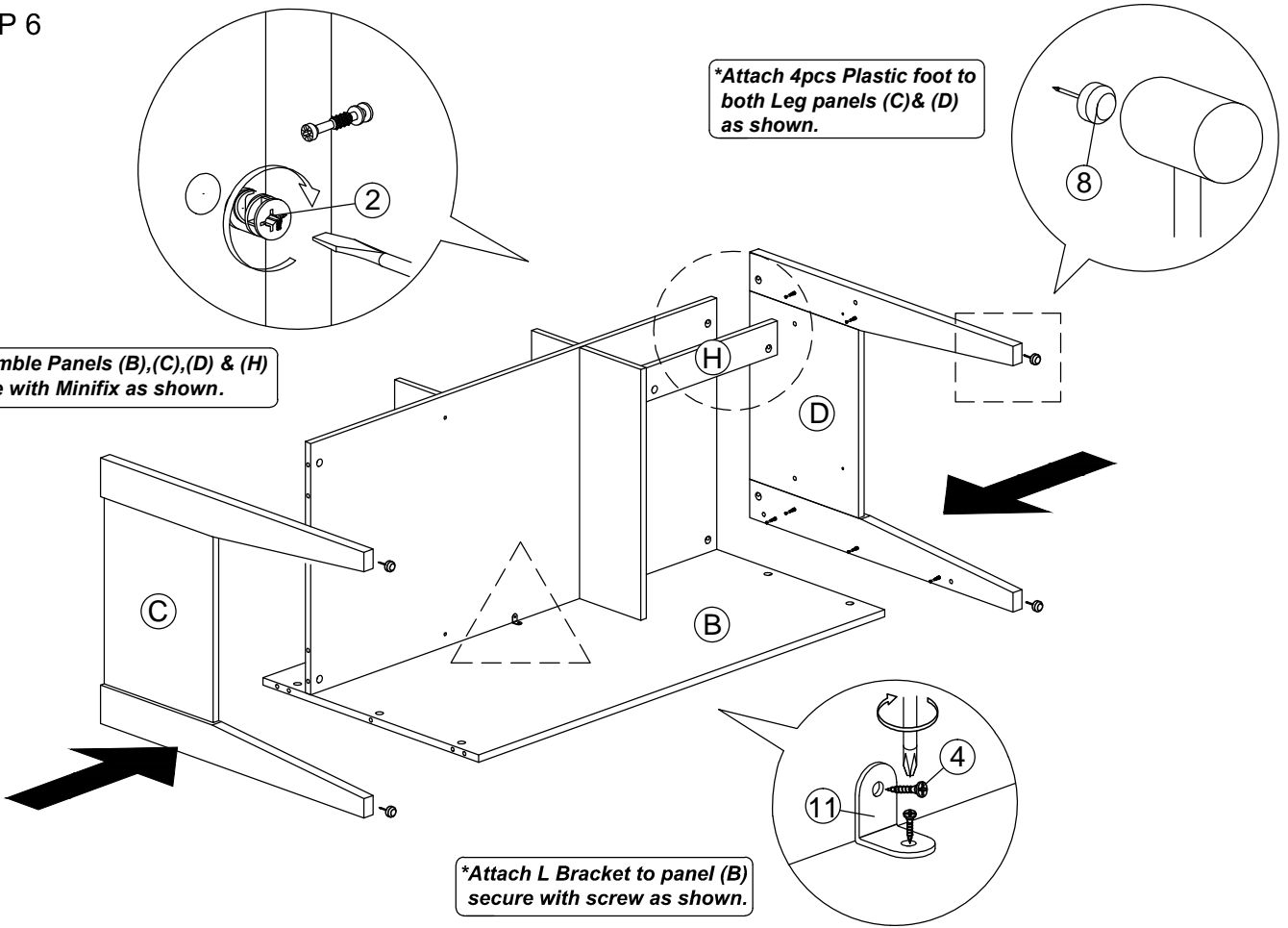
# Assembly Instruction

## STEP 6

*\*Attach 4pcs Plastic foot to both Leg panels (C) & (D) as shown.*

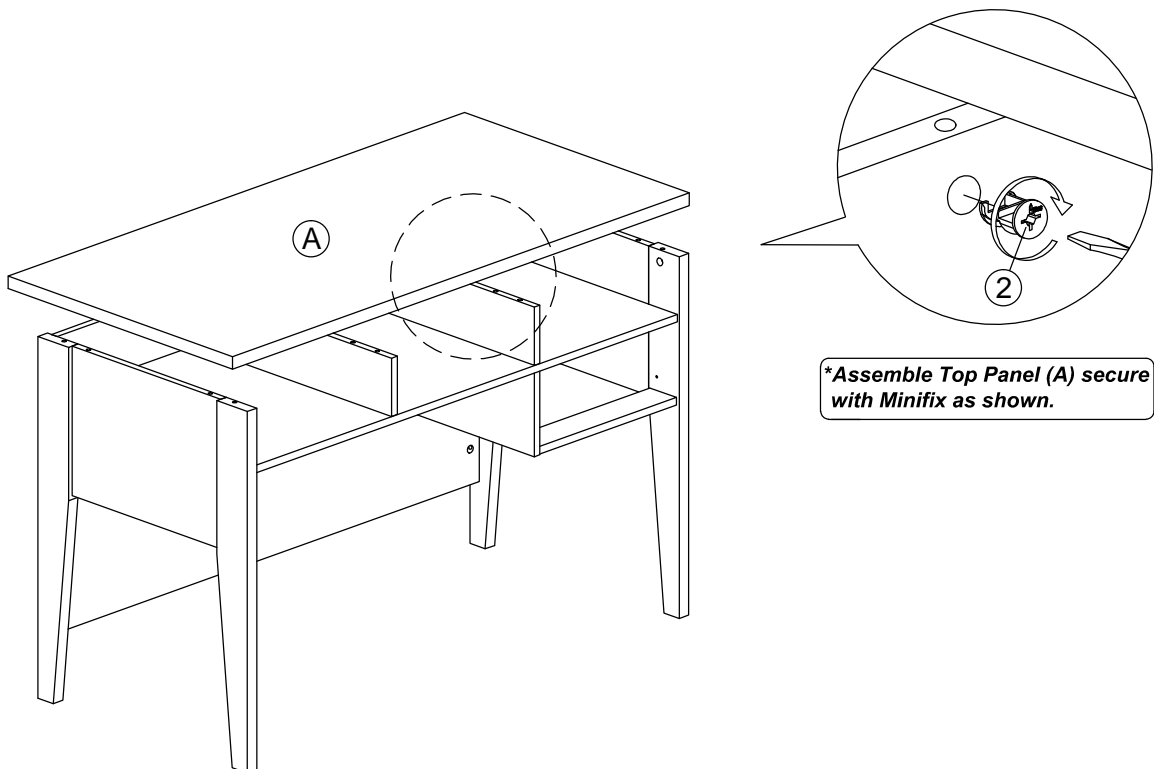
*\*Assemble Panels (B),(C),(D) & (H) secure with Minifix as shown.*

*\*Attach L Bracket to panel (B) secure with screw as shown.*



## STEP 7

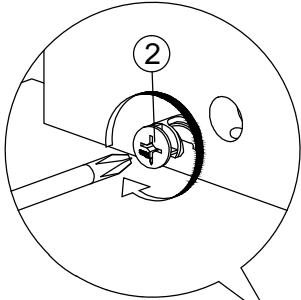
*\*Assemble Top Panel (A) secure with Minifix as shown.*



# Assembly Instruction

## STEP 8

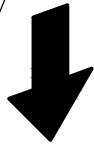
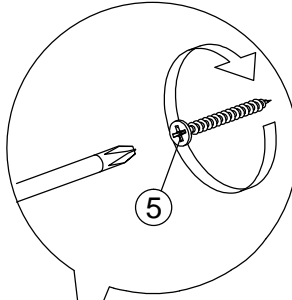
**\*Assemble drawer side secure with Minifix as shown.**



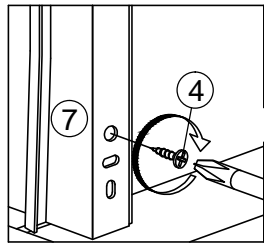
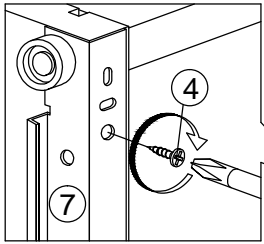
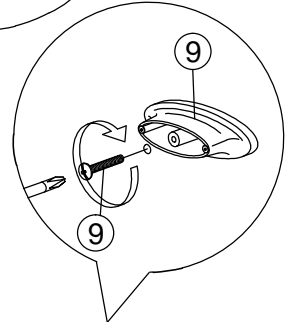
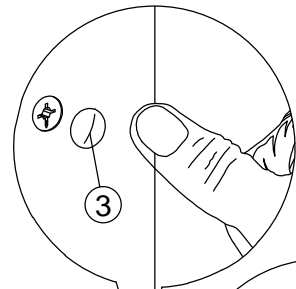
**\*Insert drawer bottom as shown.**



**\*Insert drawer back, secure with screw as shown.**



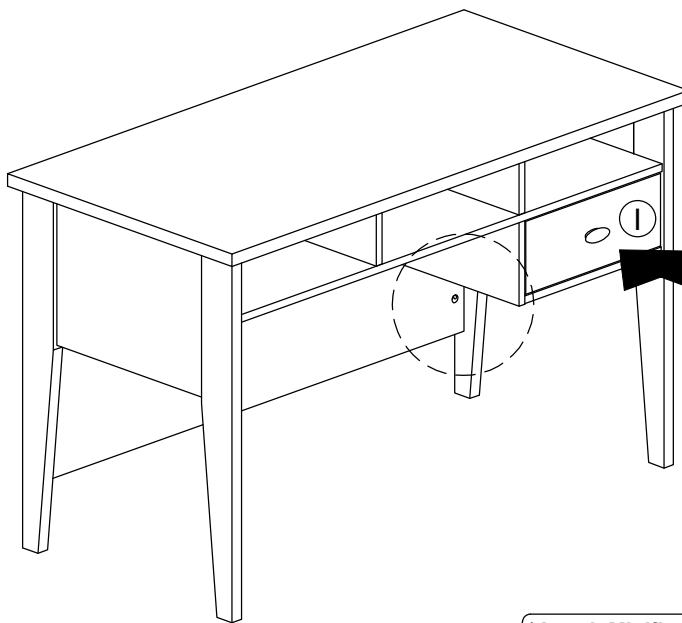
**\*Attach 2pcs Minifix Cap to both drawer side panels as shown.**



**\*Assemble drawer slide, secure with screw as shown**

**\*Install Handle to Drawers Front (1) with screw as shown.**

## STEP 9



**\*Insert Drawer as shown.**

**\*Attach Minifix Cap to panels as shown.**

