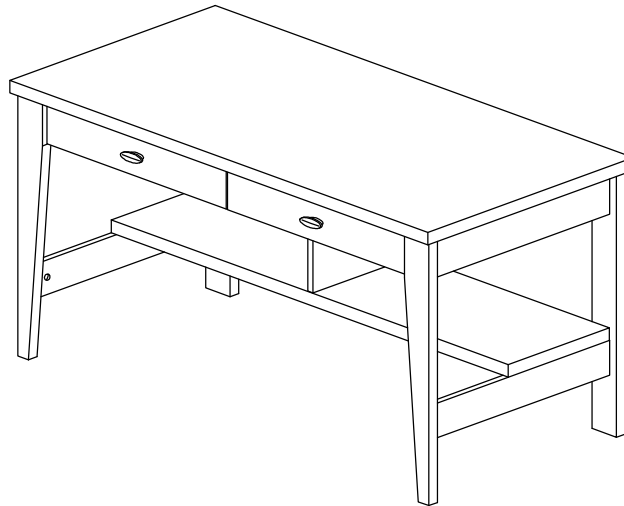
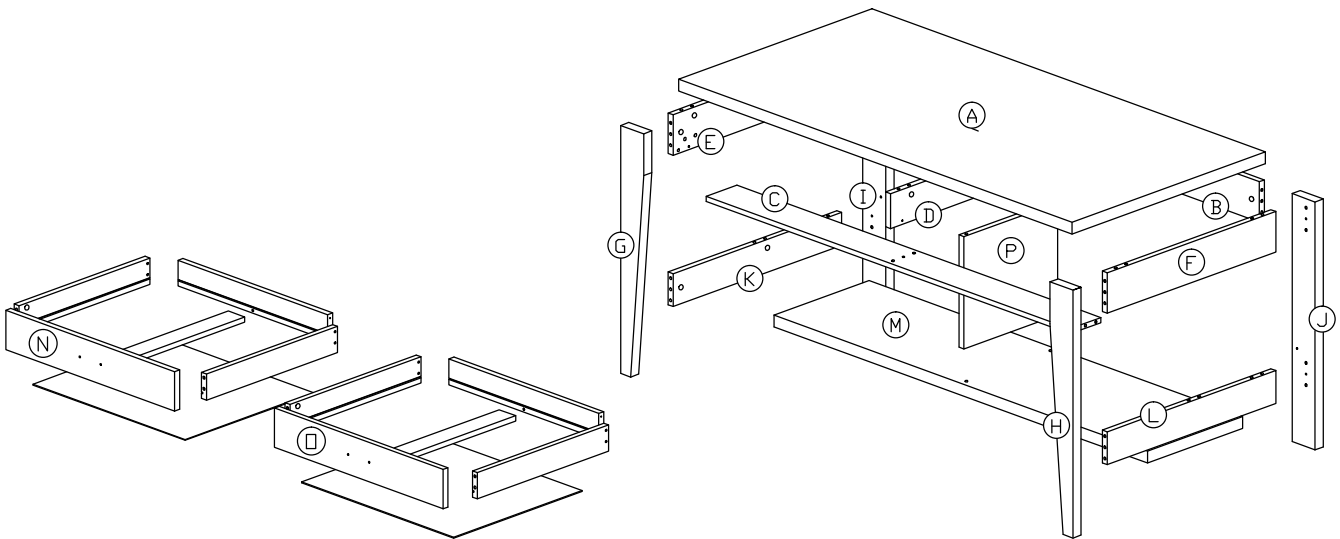


Assembly Instruction

Model : SD - 03

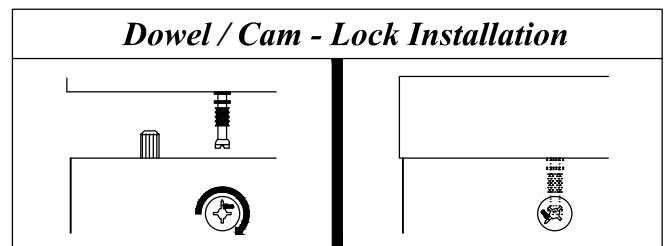


Part List



Hardware List			
No.	SHAPE	DESCRIPTION	Qty.
1		8x25mm Wood Dowel	46Pcs
2		M5x8mm Screw (Euro Screw)	8Pcs
3		M3.5x16mm Screw	16Pcs
4		M4x38mm Screw	11Pcs
5		M4x45mm Screw	2Pcs
6		15MM Titus Mini Fix	30Sets
7		Nail Leg	4Pcs
8		15mm Minifix Cap	12Pcs
9		Drawer Slide = 400mm	2Sets

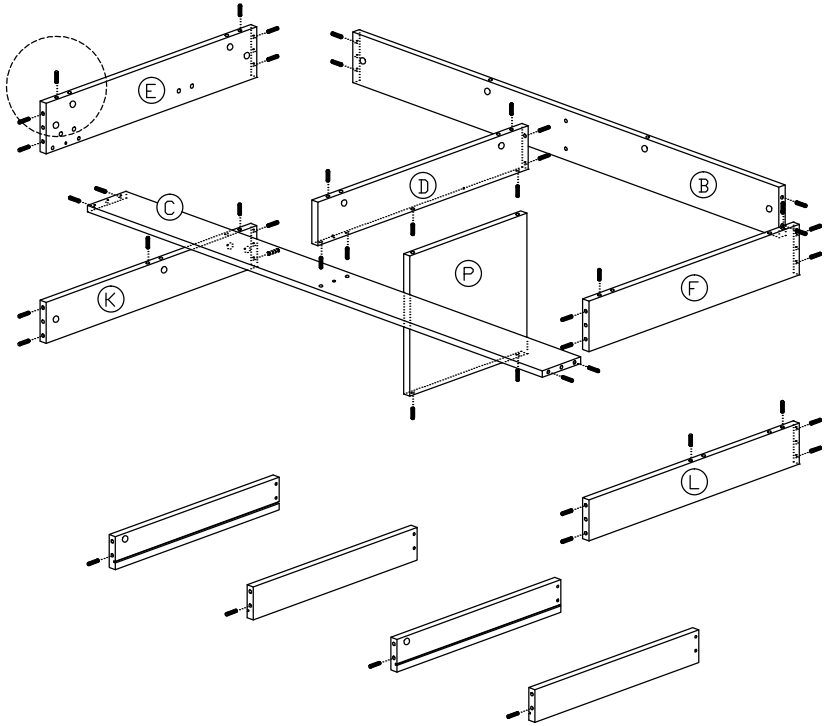
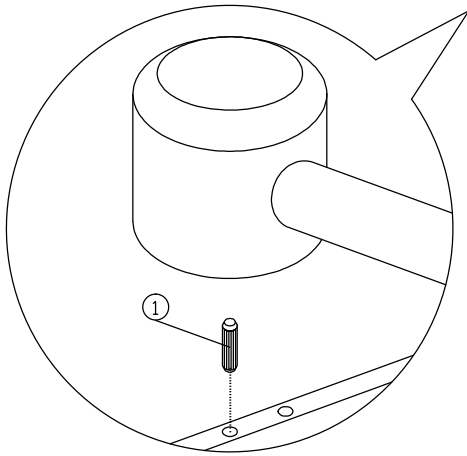
10		Handle (P058) = Plastic Handle Screw M3.6x24mm	2Sets
11		PVC Drawer Pin (35mm)	4Pcs



Assembly Instruction

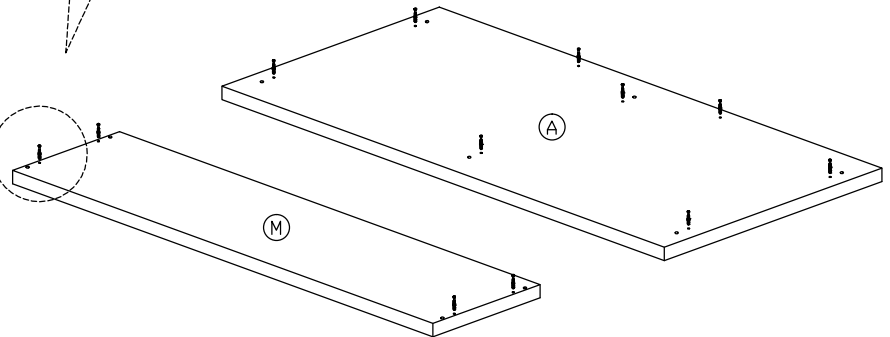
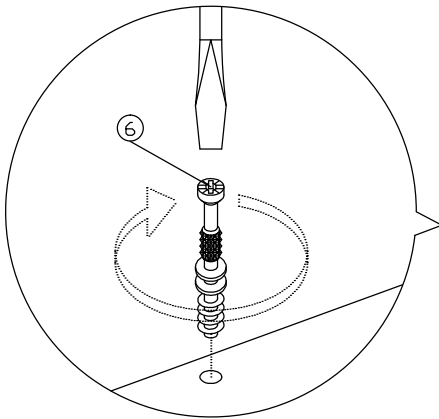
Step 1

**Install 46pcs Wood Dowel into all panels as shown.*



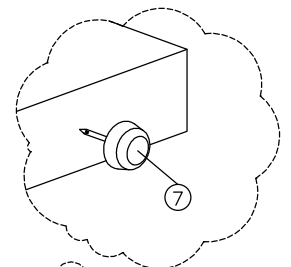
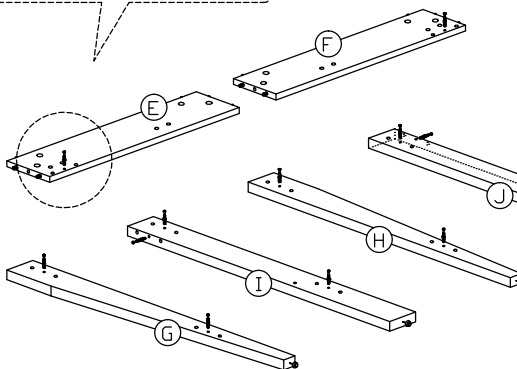
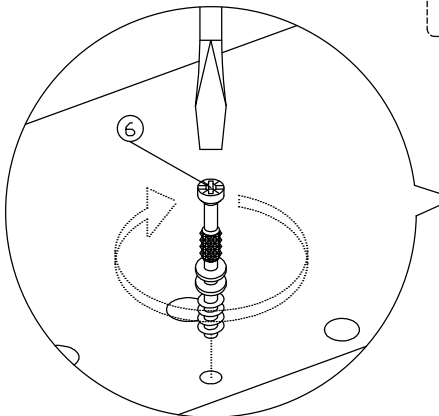
Step 2

**Install 12pcs minifix bolt to both panels as shown.*



Step 3

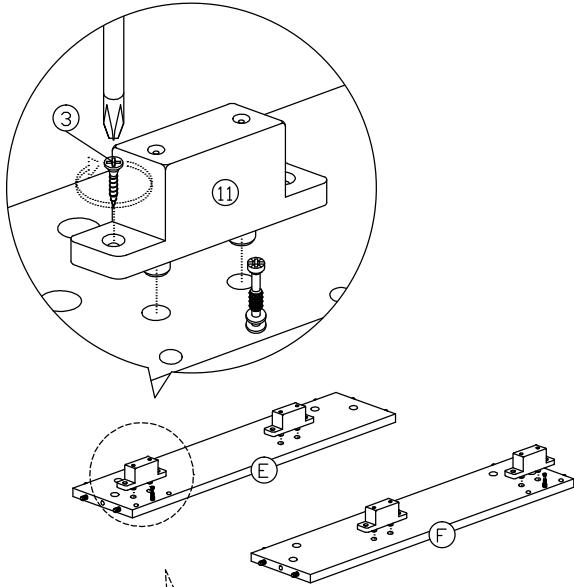
**Install 12pcs minifix bolt to all panels as shown.*



**Attach Nail Leg to all panels as shown. (Star bubble)*

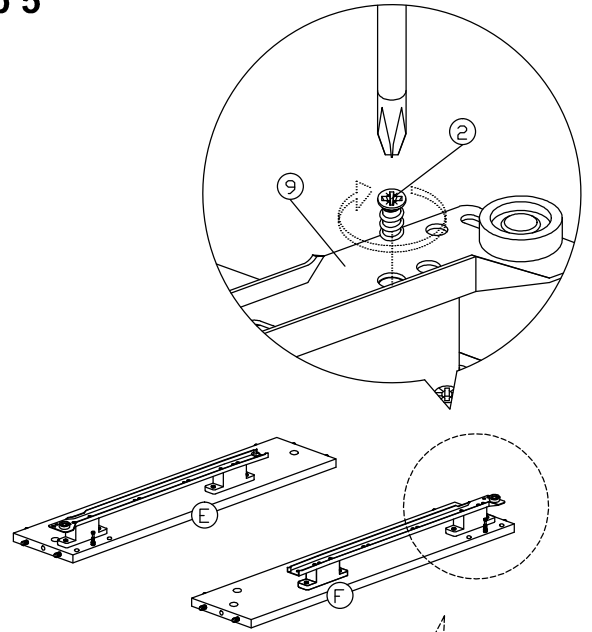
Assembly Instruction

Step 4



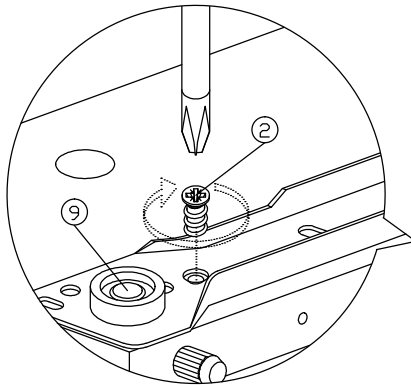
**Install 4pcs Drawer Pin to both side panels with screw as shown.*

Step 5

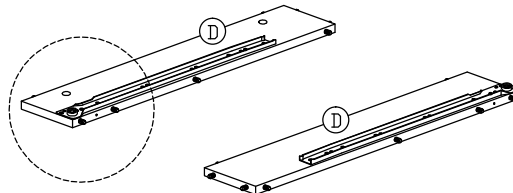


**Install 2pcs Drawer Slide to both side panels as shown.*

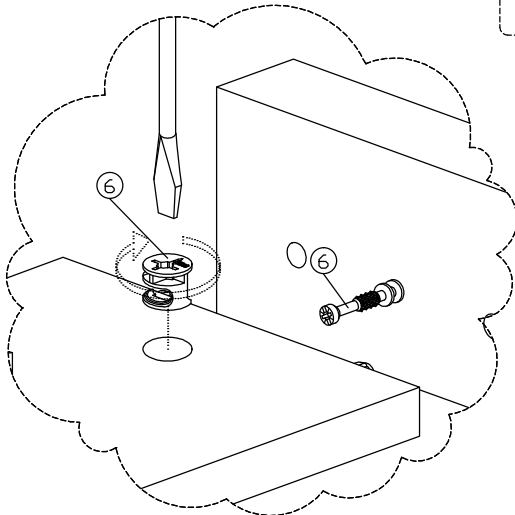
Step 6



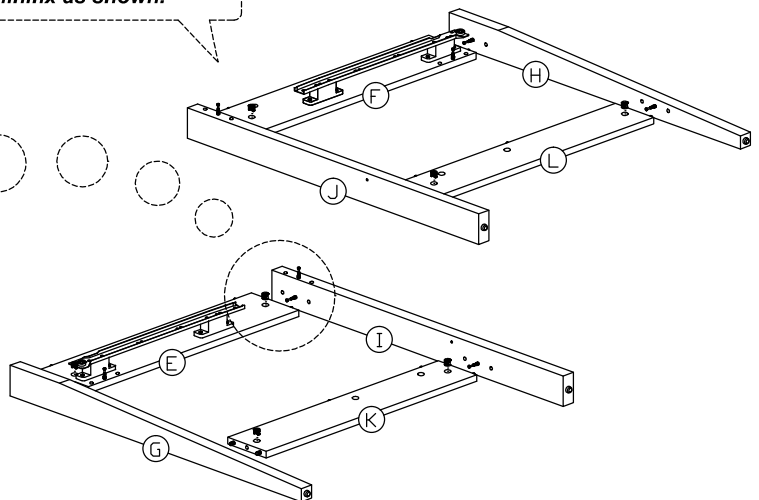
**Install 2pcs Drawer Slide to both side of stand panel as shown.*



Step 7

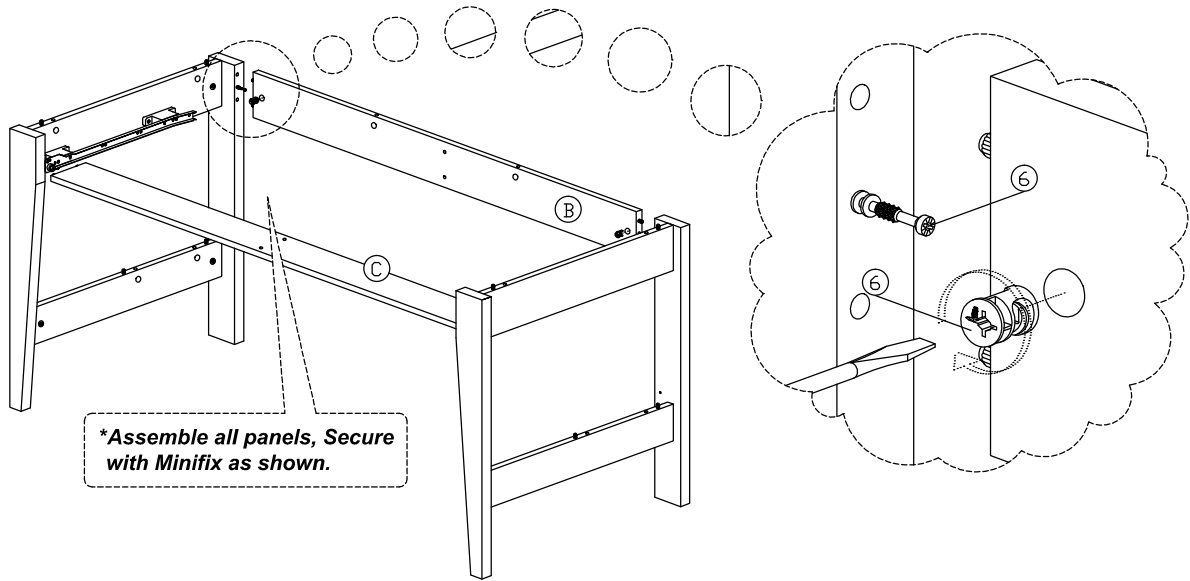


**Assemble all panels, Secure with Minifix as shown.*

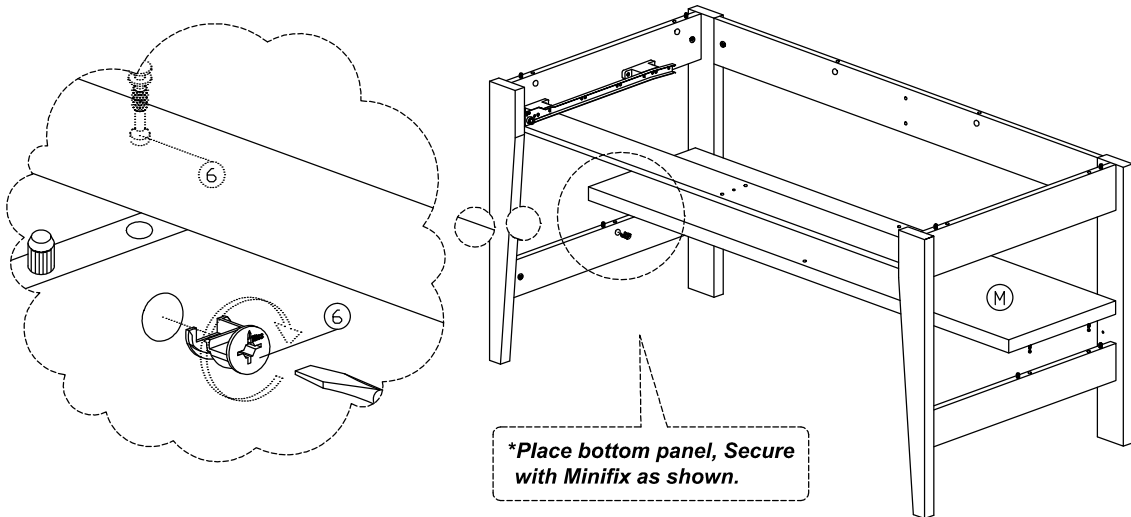


Assembly Instruction

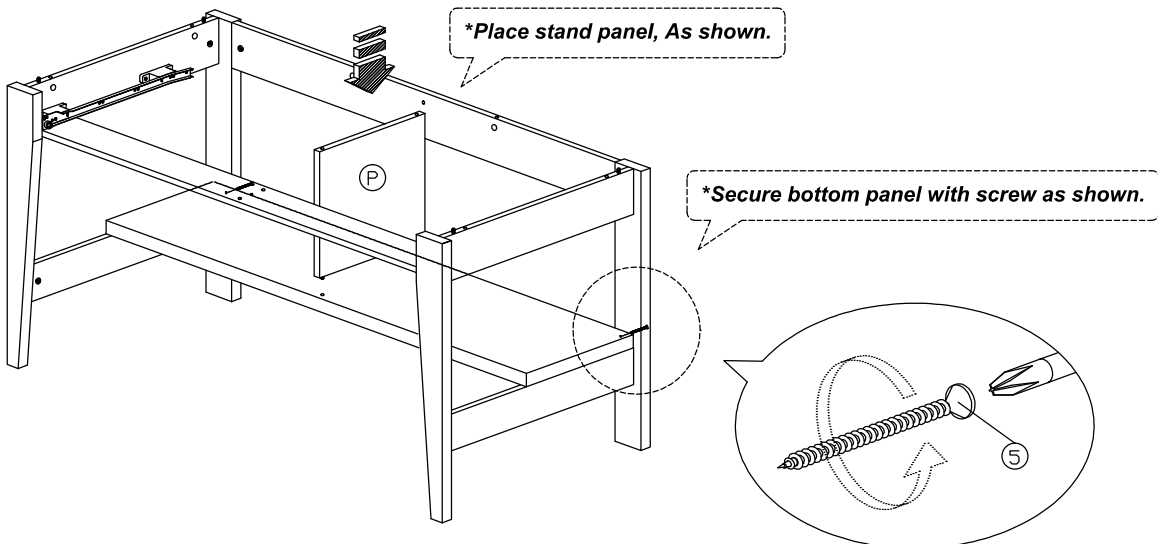
Step 8



Step 9

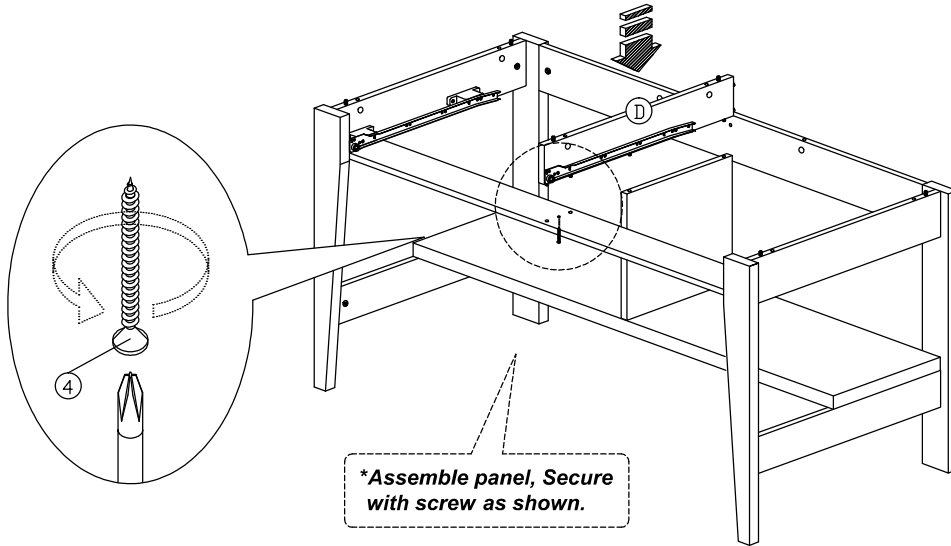


Step 10

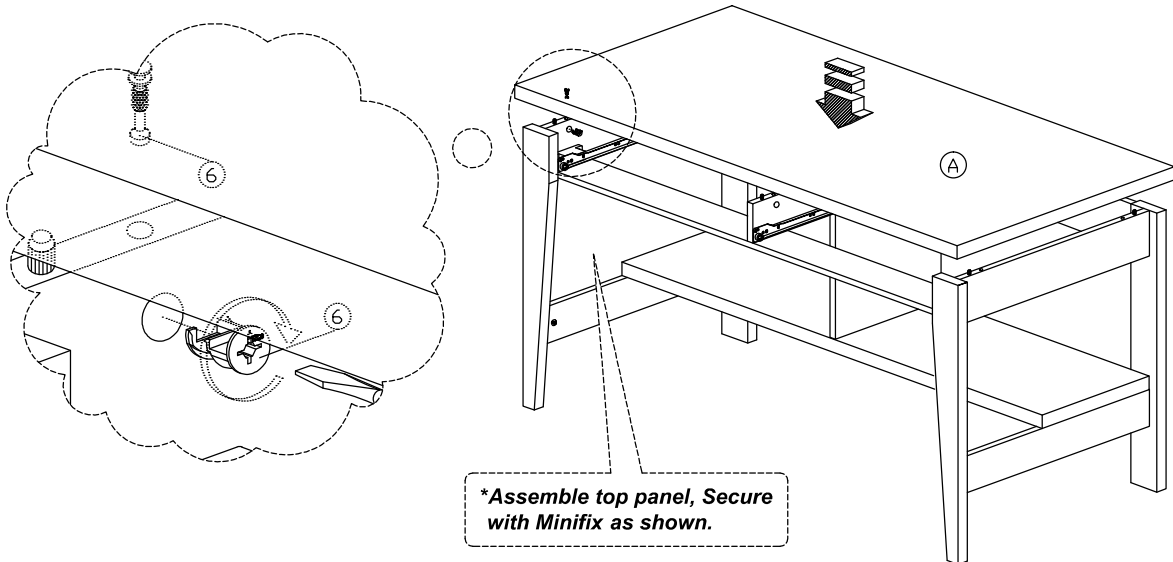


Assembly Instruction

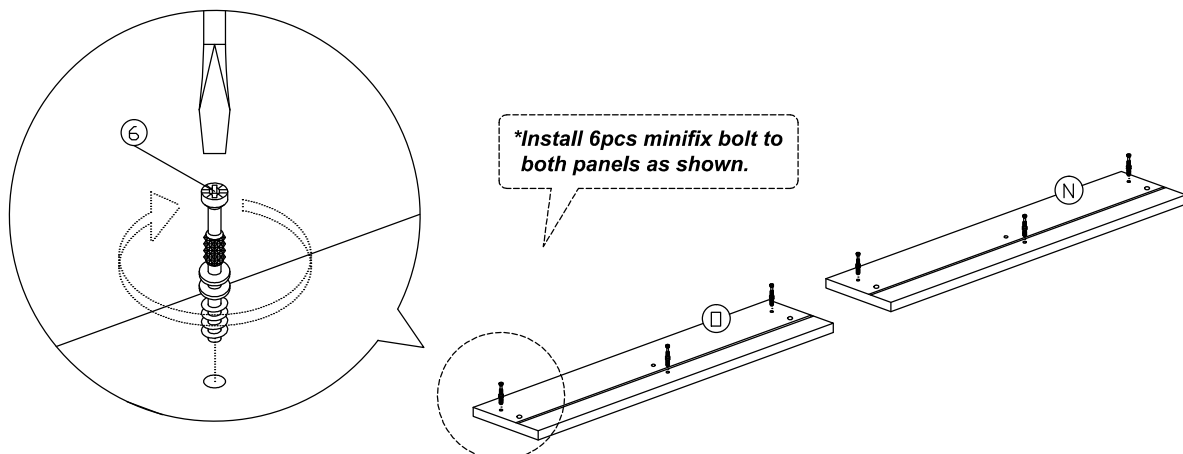
Step 11



Step 12

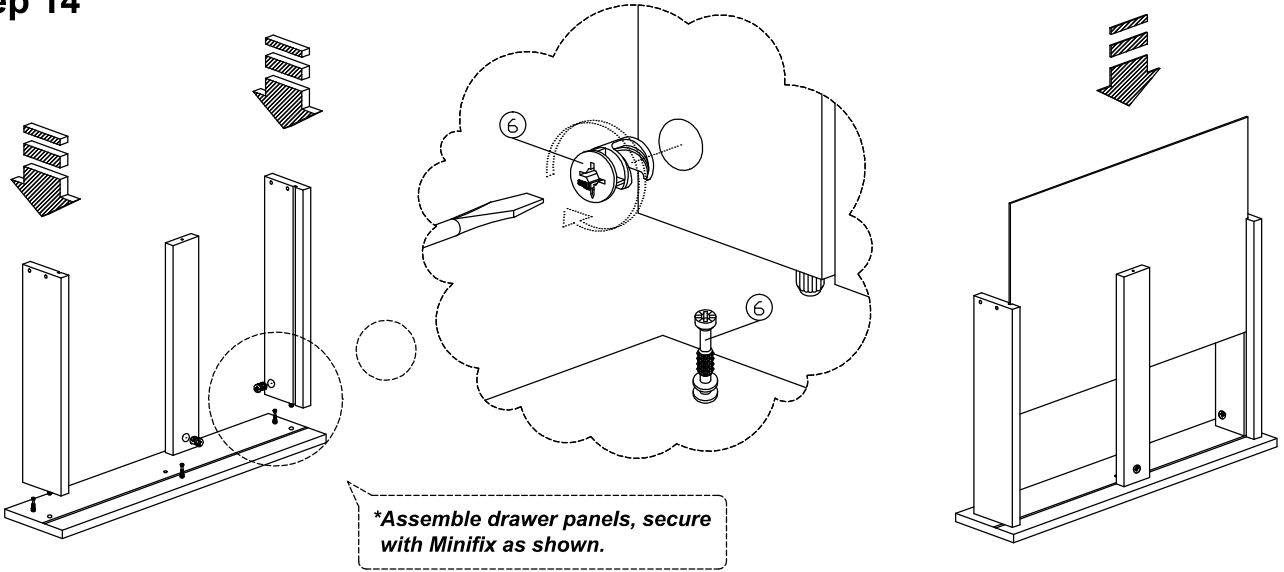


Step 13

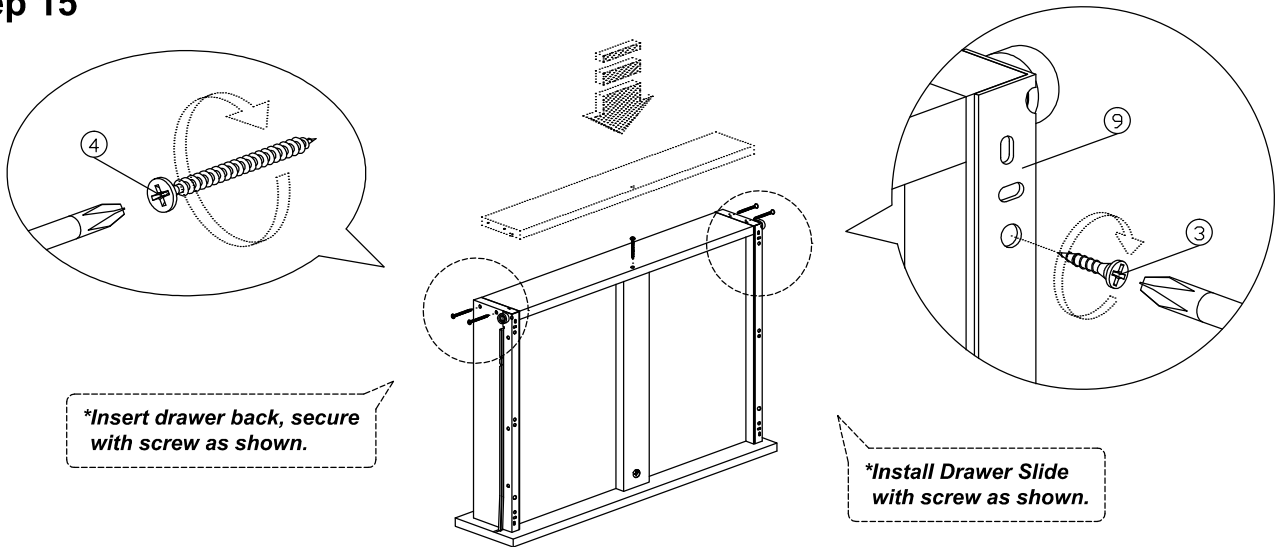


Assembly Instruction

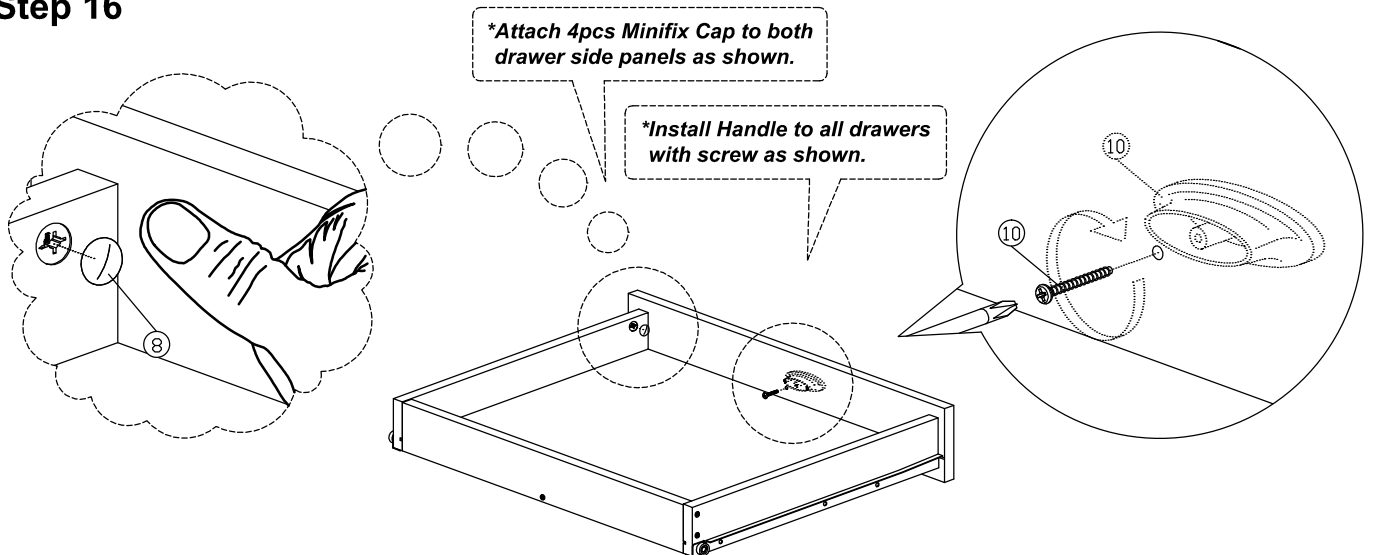
Step 14



Step 15



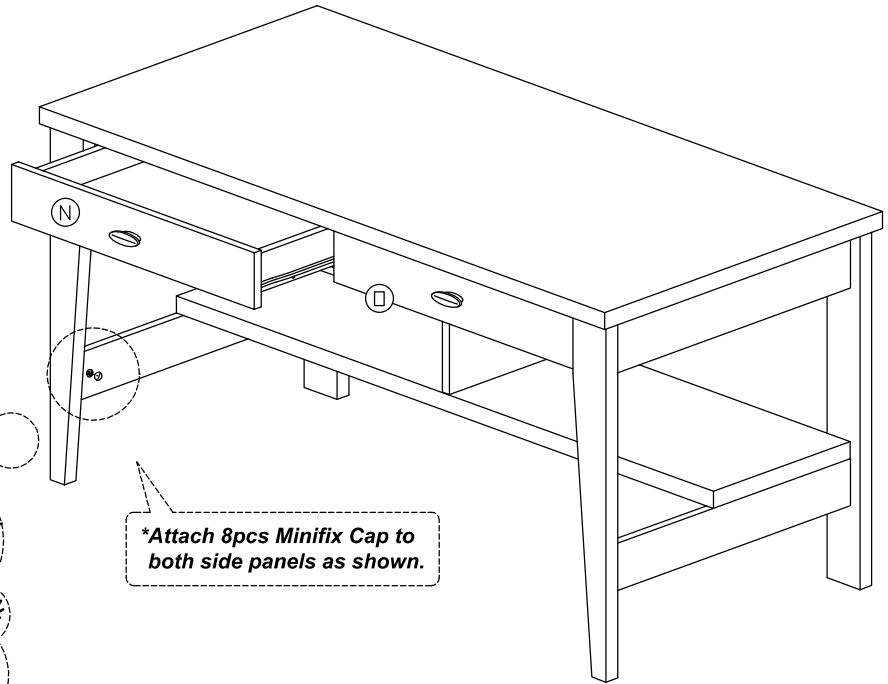
Step 16



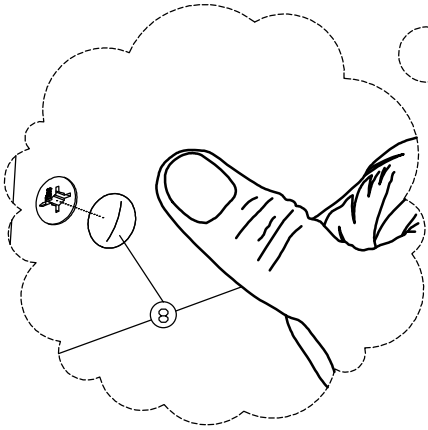
Assembly Instruction

Step 17

**Place both drawers into desk as shown.*



**Attach 8pcs Minifix Cap to both side panels as shown.*



Complete

