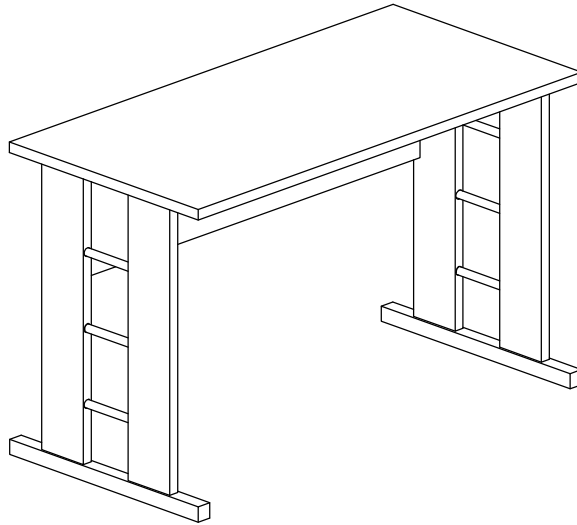
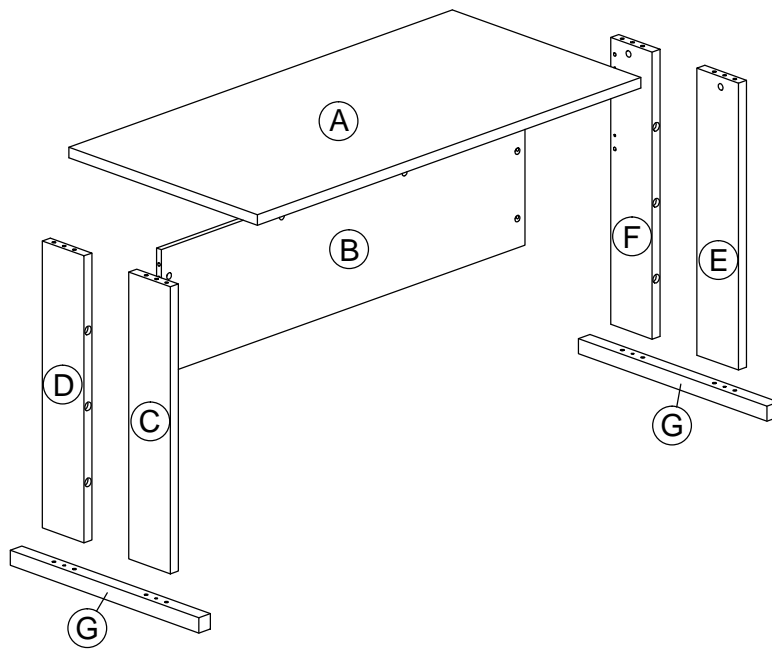


# Assembly Instruction

Model : SD - 02


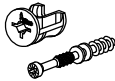







## Part List

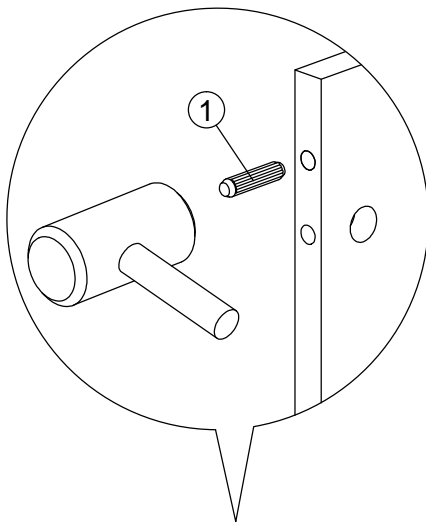


# Assembly Instruction

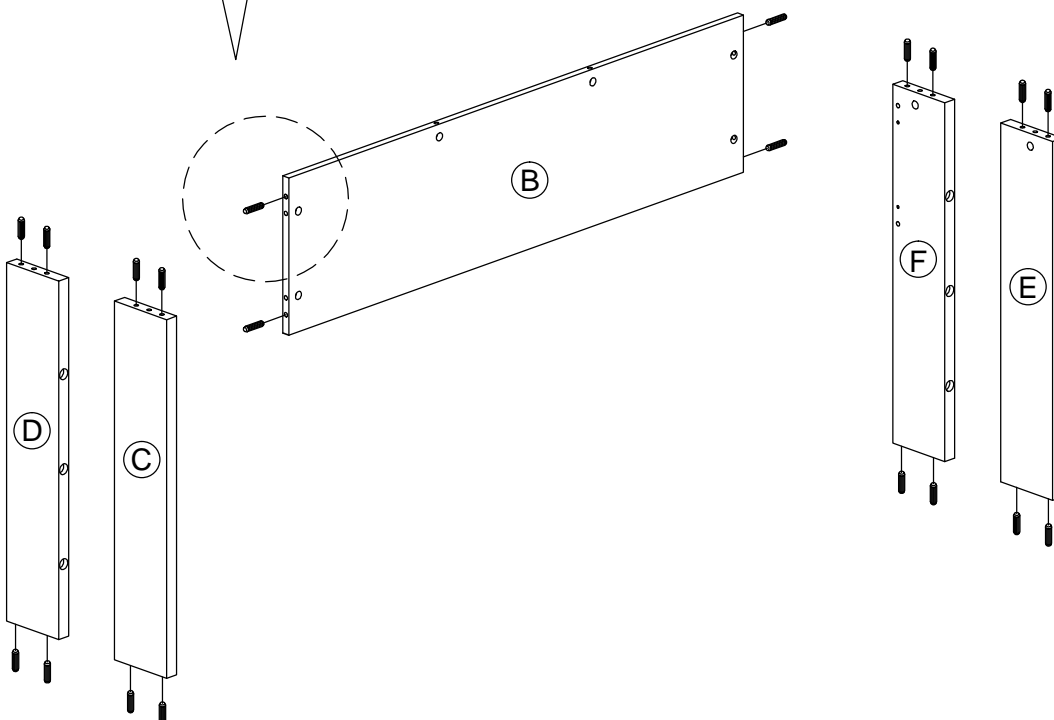
## Hardware List

No.	SHAPE	DESCRIPTION	Qty.
1		<b>8x25mm Wood Dowel</b>	20Pcs
2		<b>15MM Titus Mini Fix</b>	10Sets
3		<b>Minifix Cap</b>	6Pcs
4		<b>15mm Minifix Cap (HOLE)</b>	4Pcs
5		<b>M4x65mm Screw</b>	4Pcs
6		<b>Nail Leg</b>	4Pcs
7		<b>Chrome Pipe Ø19 x 160mm</b>	6Pcs

### STEP 1



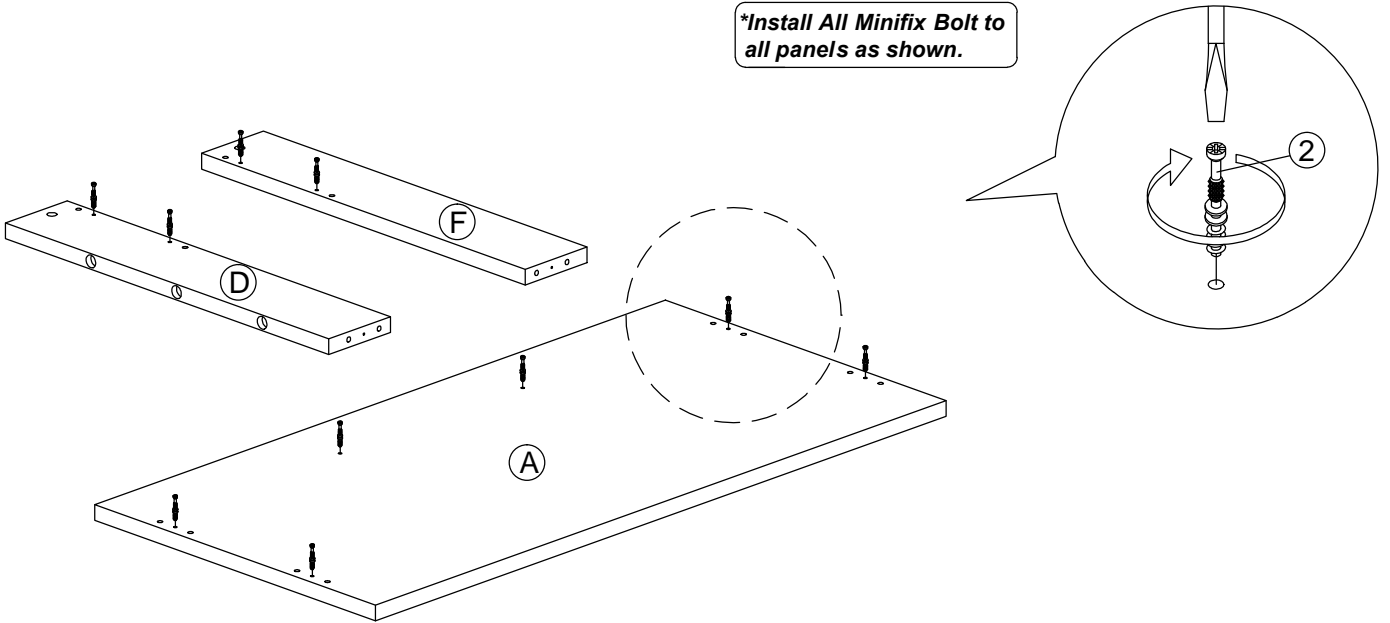
\*Install all 8x25mm Wood Dowel into all panels as shown.



# Assembly Instruction

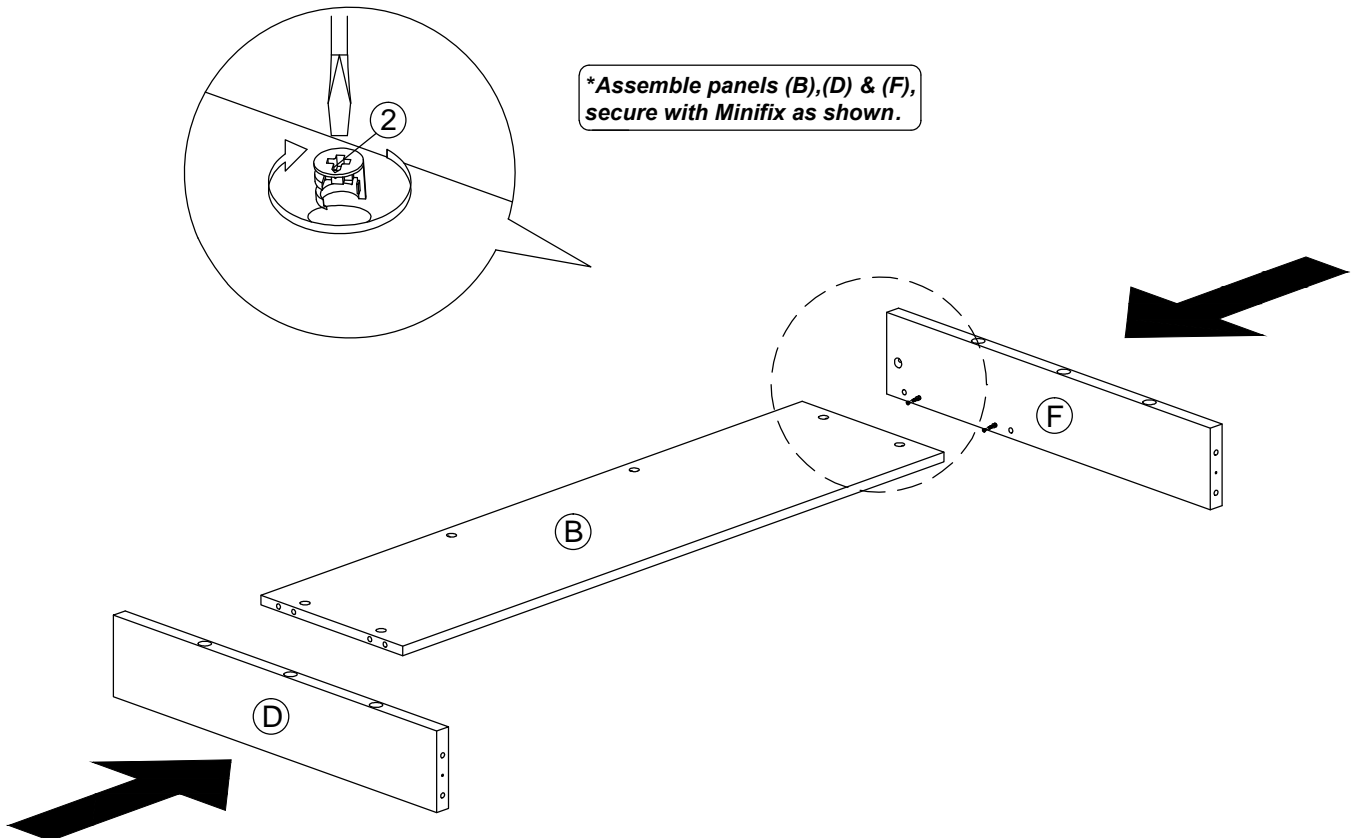
## STEP 2

*\*Install All Minifix Bolt to all panels as shown.*



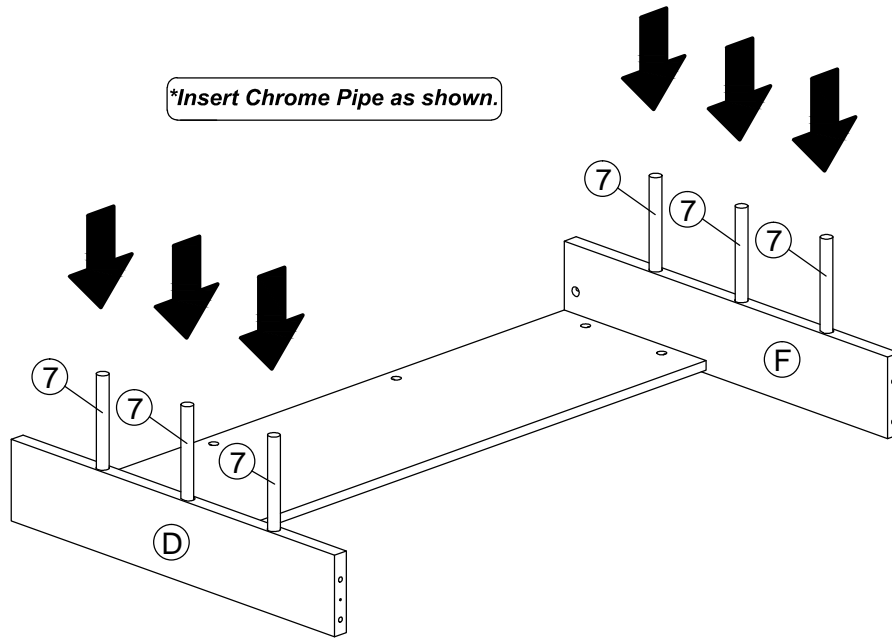
## STEP 3

*\*Assemble panels (B),(D) & (F), secure with Minifix as shown.*

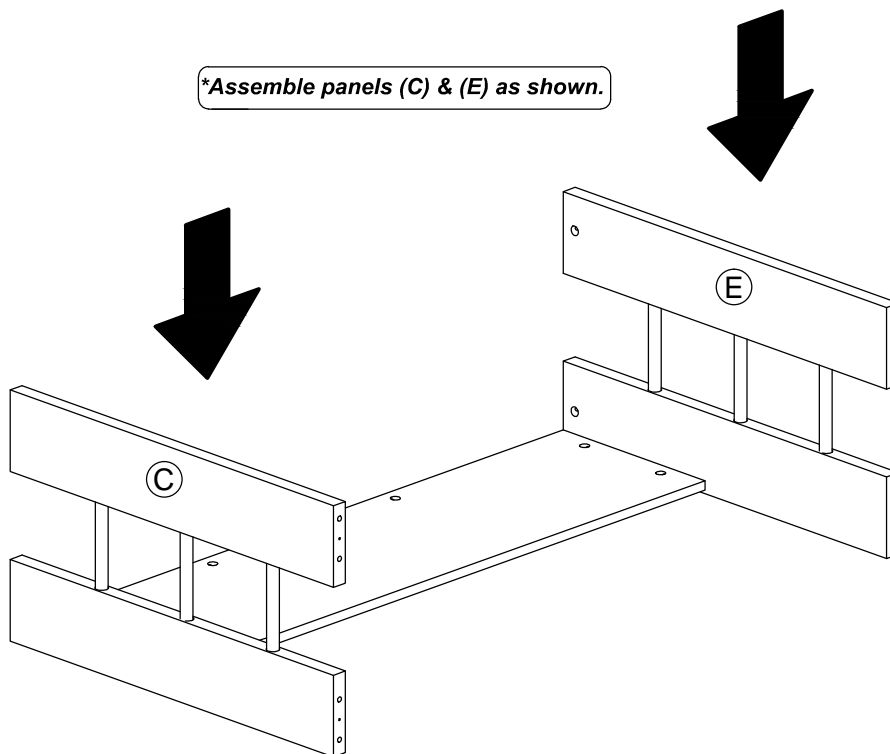


# Assembly Instruction

## STEP 4

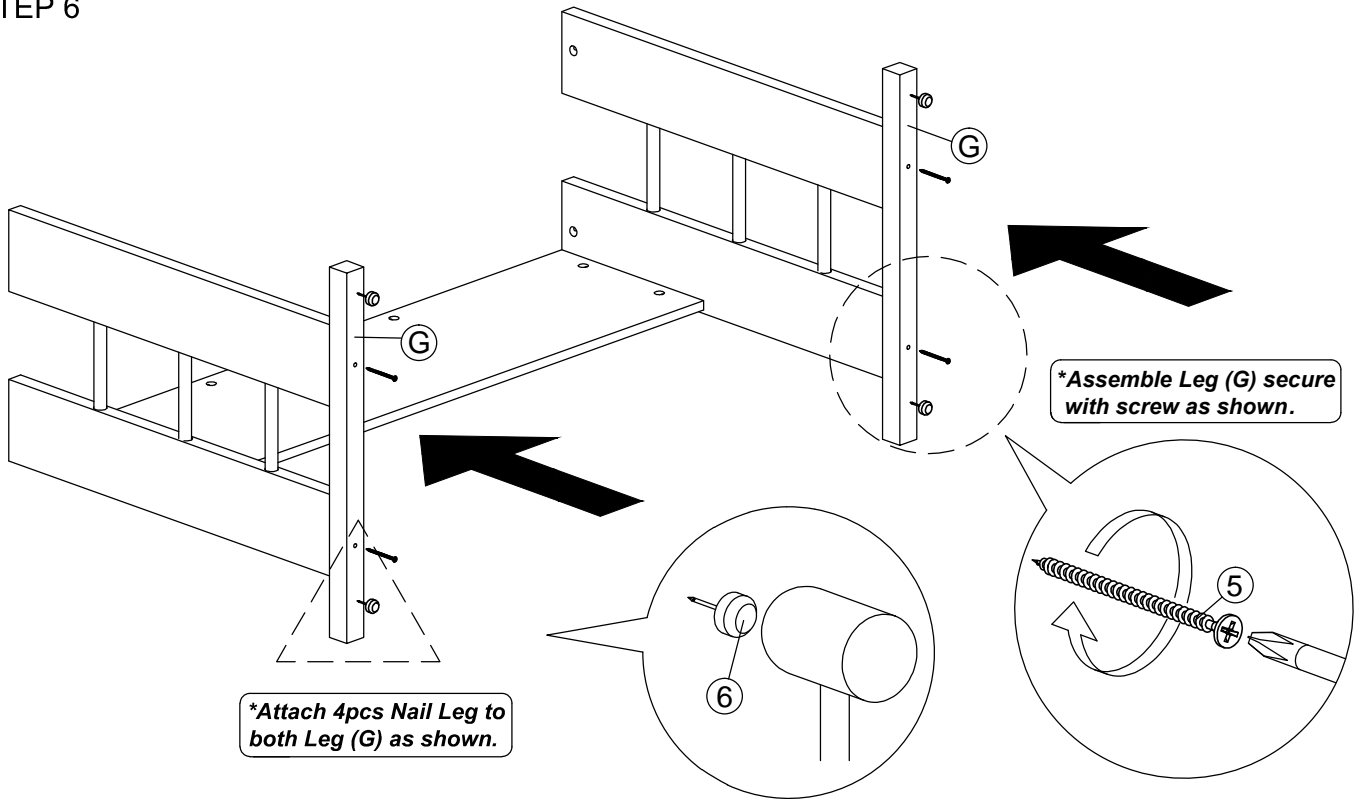


## STEP 5



# Assembly Instruction

## STEP 6



## STEP 7

