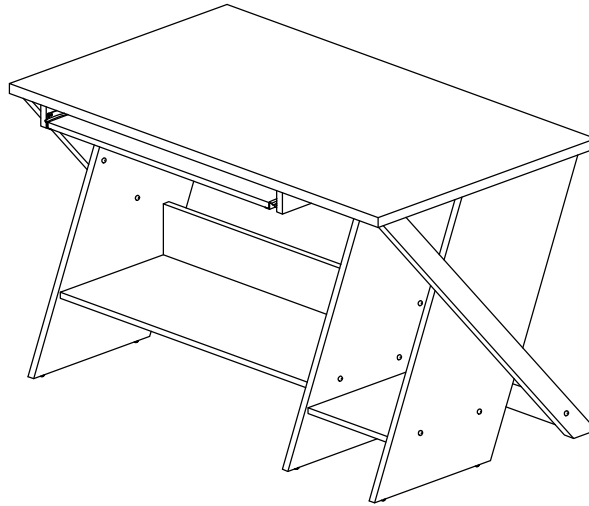
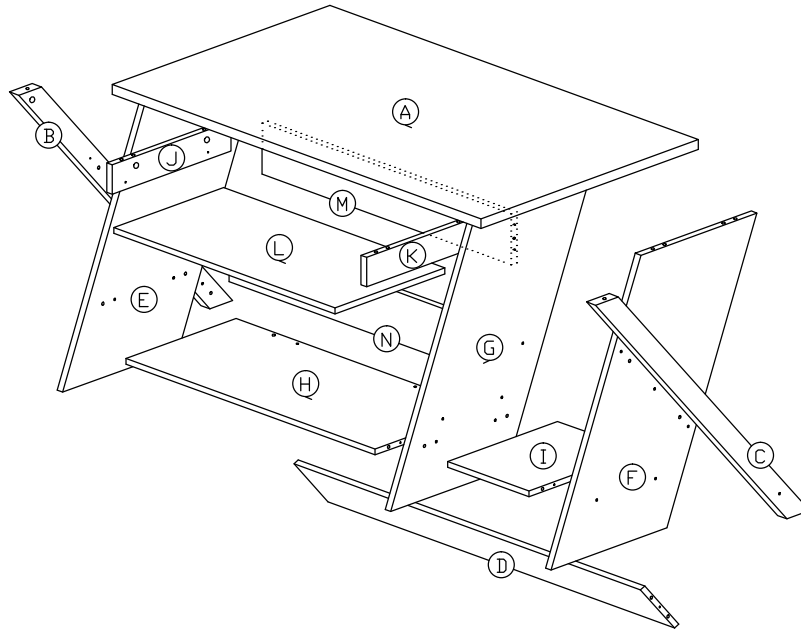


Assembly Instruction

Model : WI5430



Part List

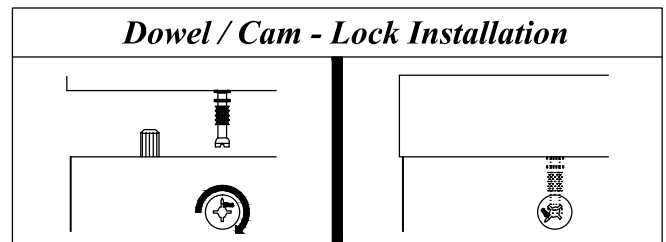


Hardware List

No.	SHAPE	DESCRIPTION	Qty.
1		8x25mm Wood Dowel	32Pcs
2		M5x8mm Screw (Euro Screw)	4Pcs
3		M3.5x15mm Screw	4Pcs
4		M4x32mm Screw	6Pcs
5		M5x38mm Screw	14Pcs
6		M4x50mm Screw	2Pcs
7		15MM Titus Mini Fix	12Sets
8		Nail Leg	8Pcs
9		15mm Minifix Cap (sonoma oak 7532 - 3)	8Pcs

10		15mm Minifix Cap (hole) (sonoma oak 7532 - 4)	2Pcs
11		Screw Cap (sonoma oak 7532 - 3)	18Pcs
12		Screw Cap (sonoma oak 7532 - 4)	2Pcs
13		Drawer Slide = 300mm	1Set

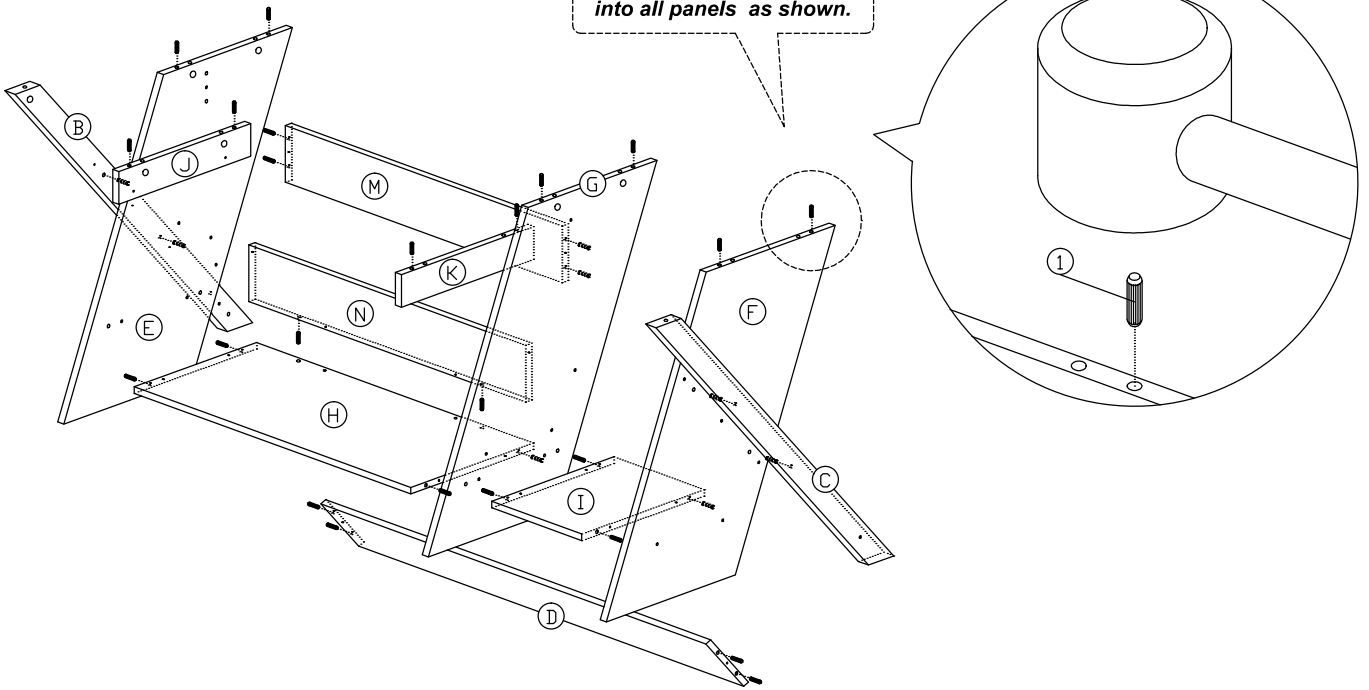
Dowel / Cam - Lock Installation



Assembly Instruction

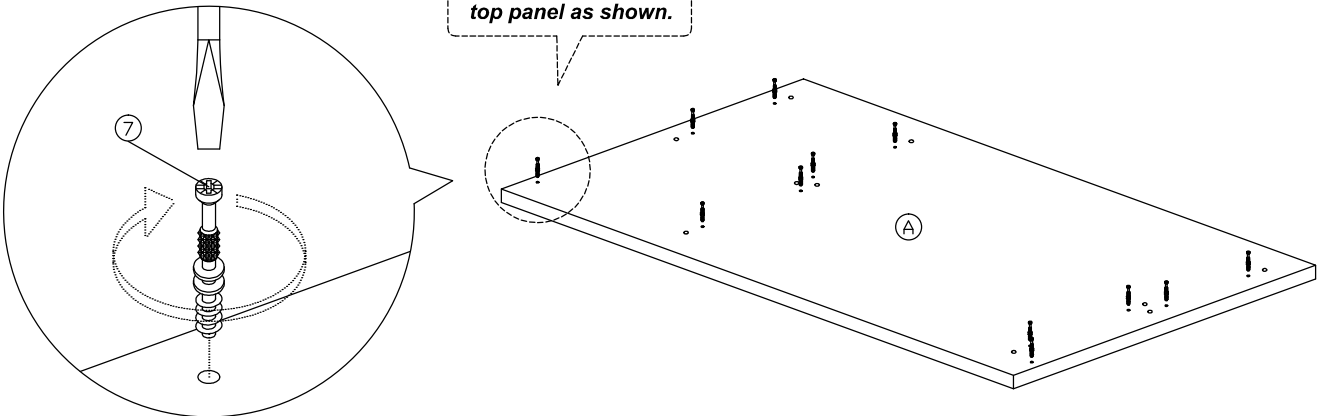
Step 1

**Install 32pcs Wood Dowel into all panels as shown.*



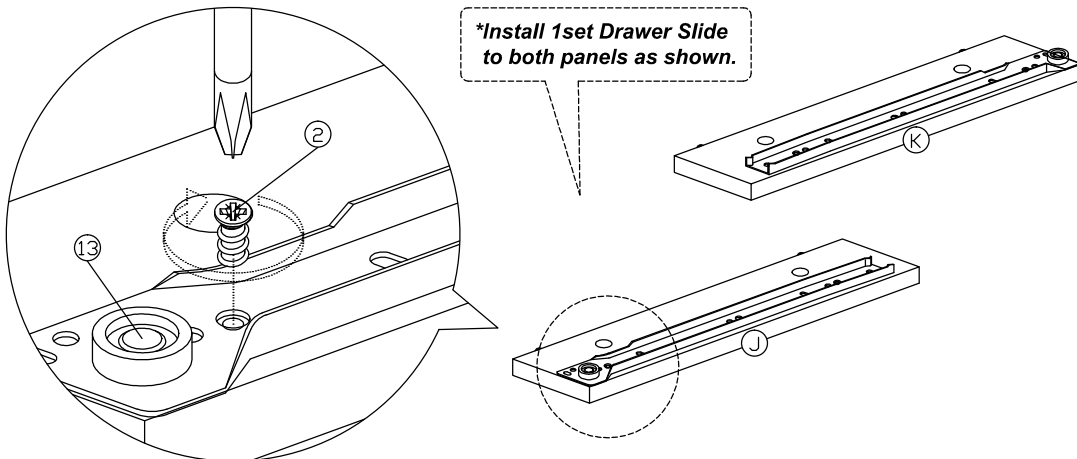
Step 2

**Install minifix bolt to top panel as shown.*



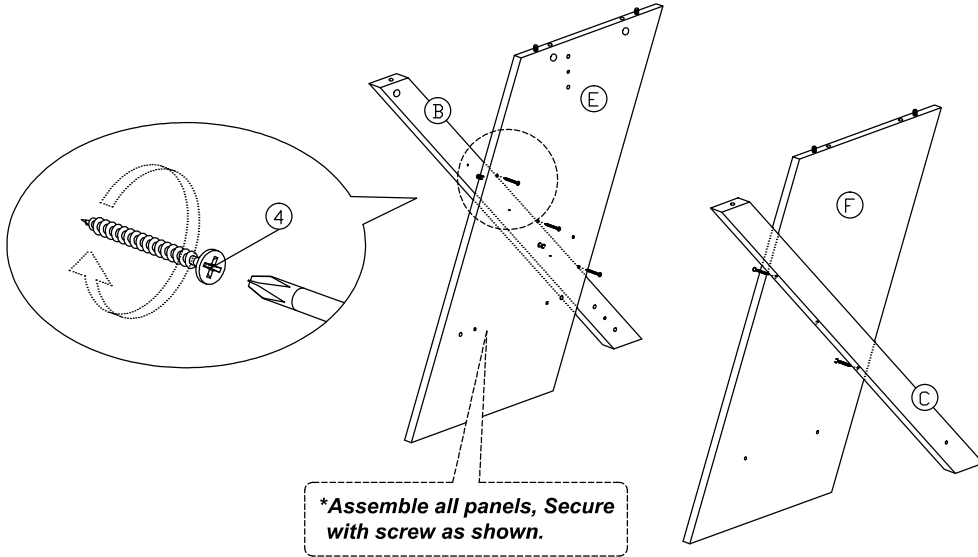
Step 3

**Install 1set Drawer Slide to both panels as shown.*

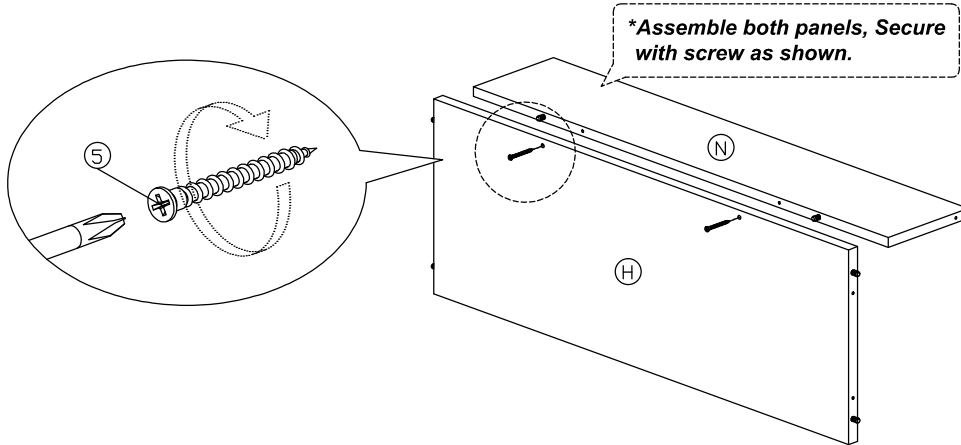


Assembly Instruction

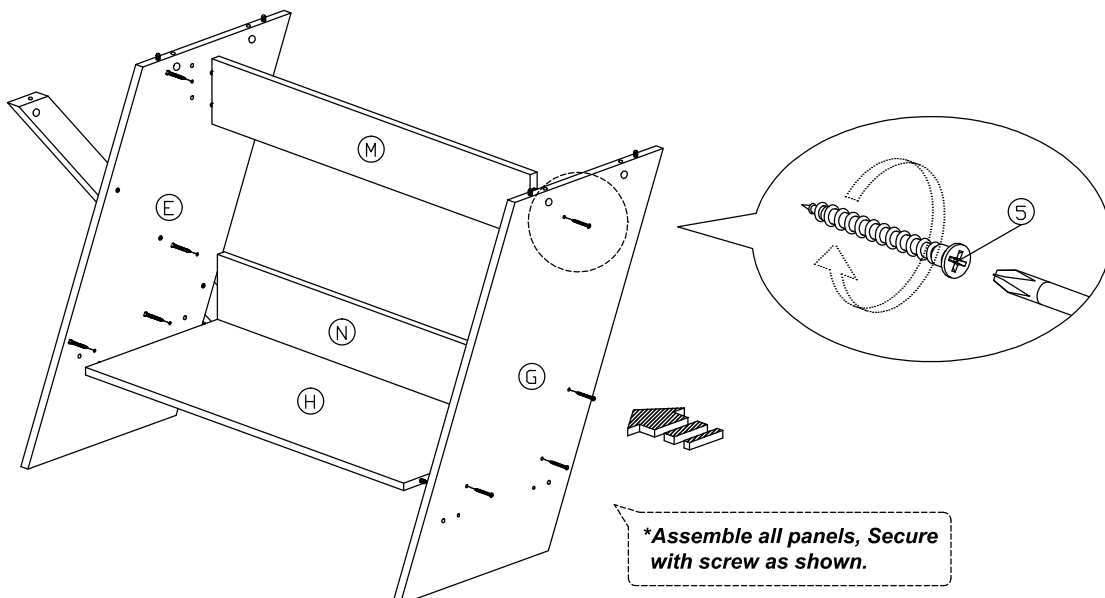
Step 4



Step 5

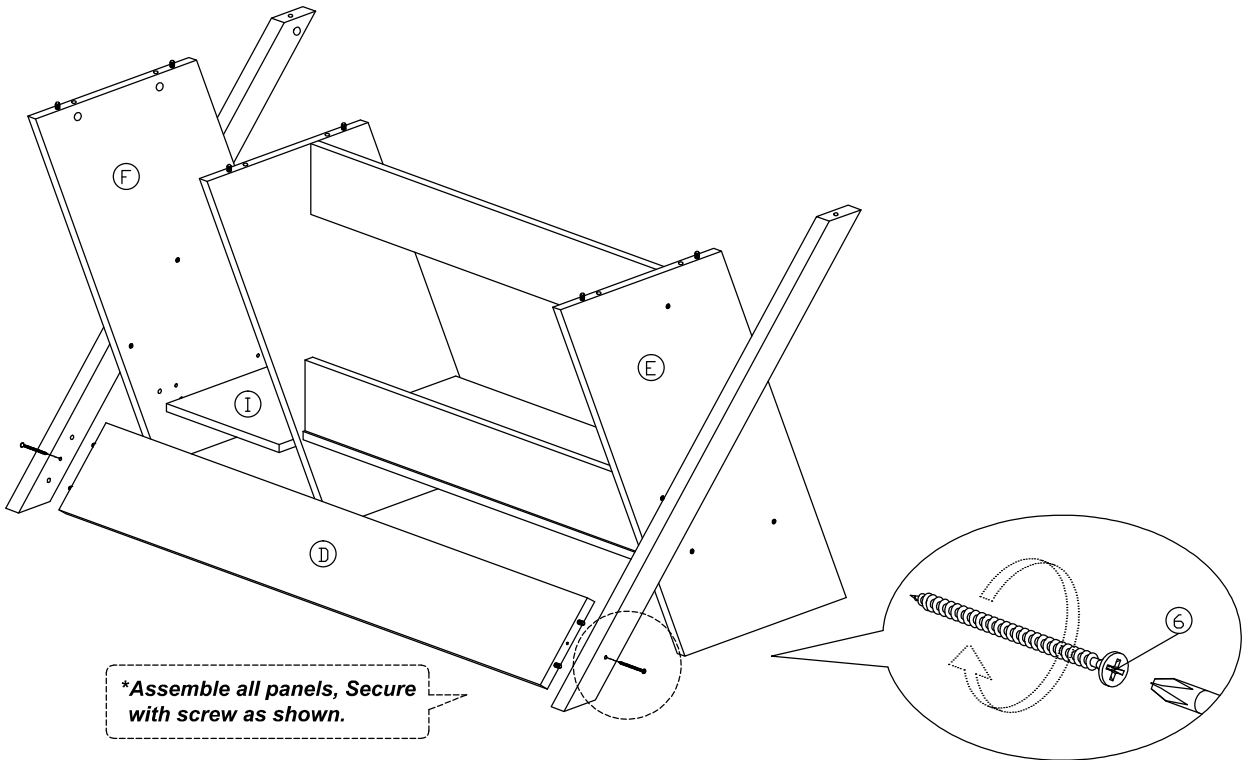


Step 6

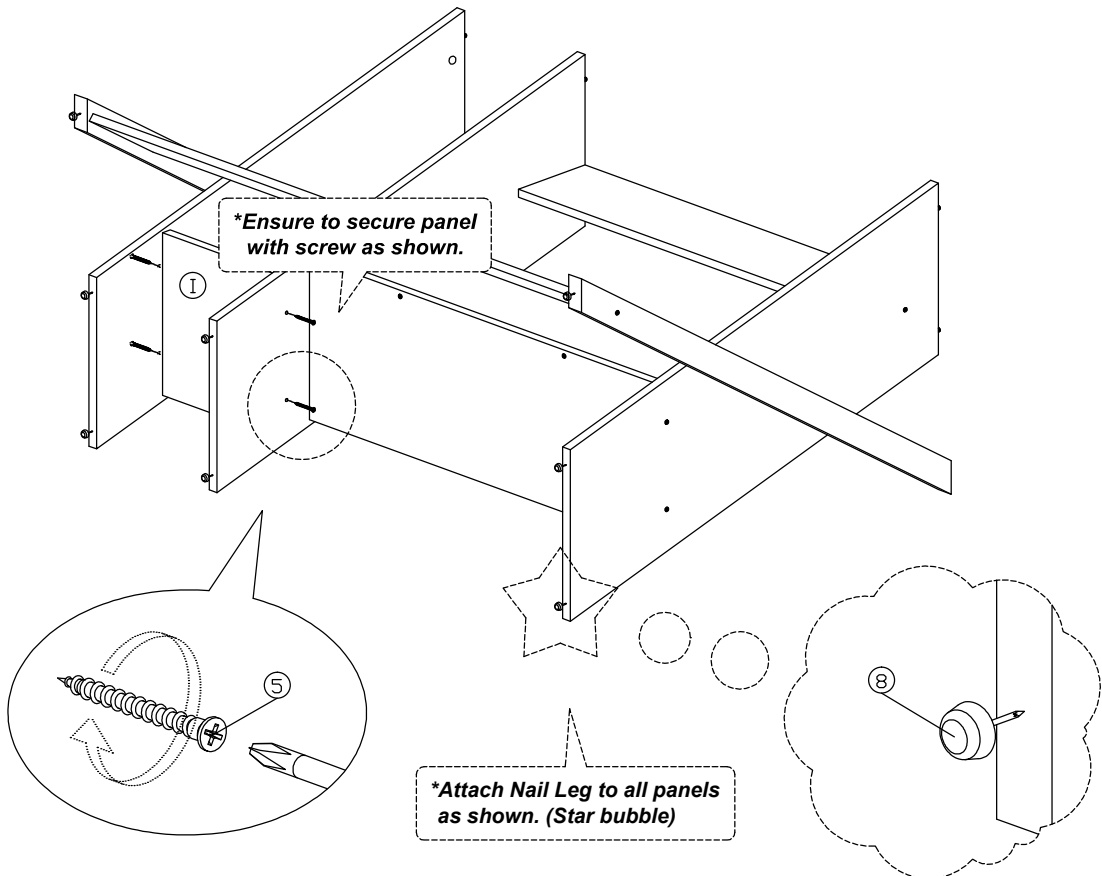


Assembly Instruction

Step 7

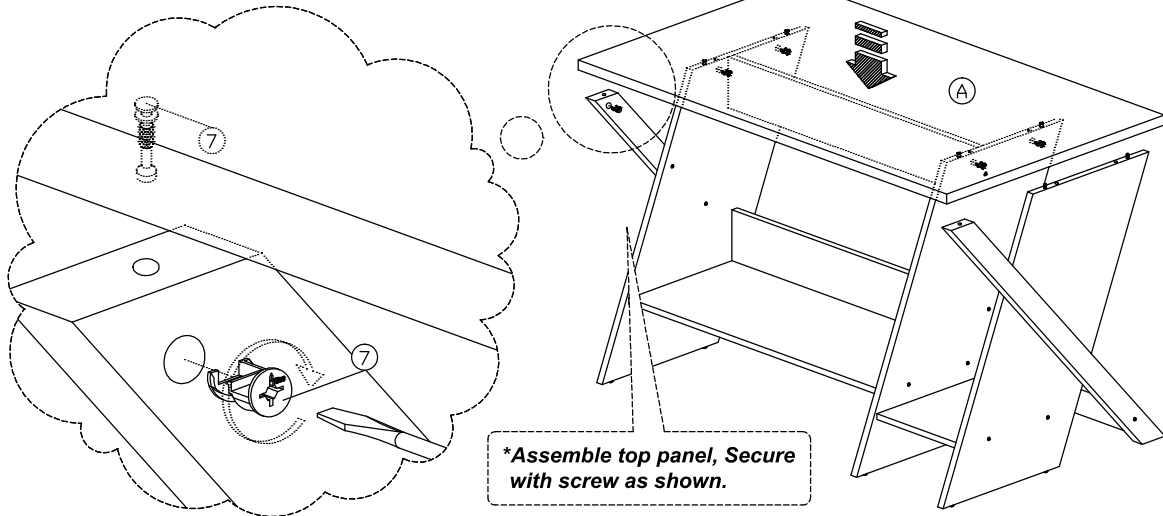


Step 8

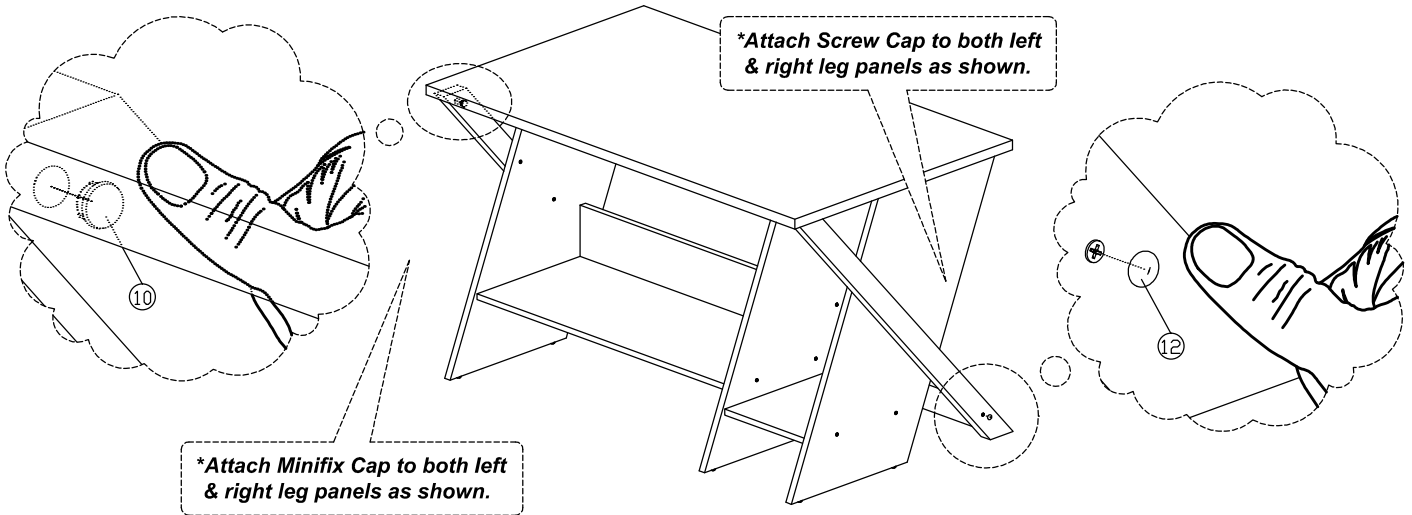


Assembly Instruction

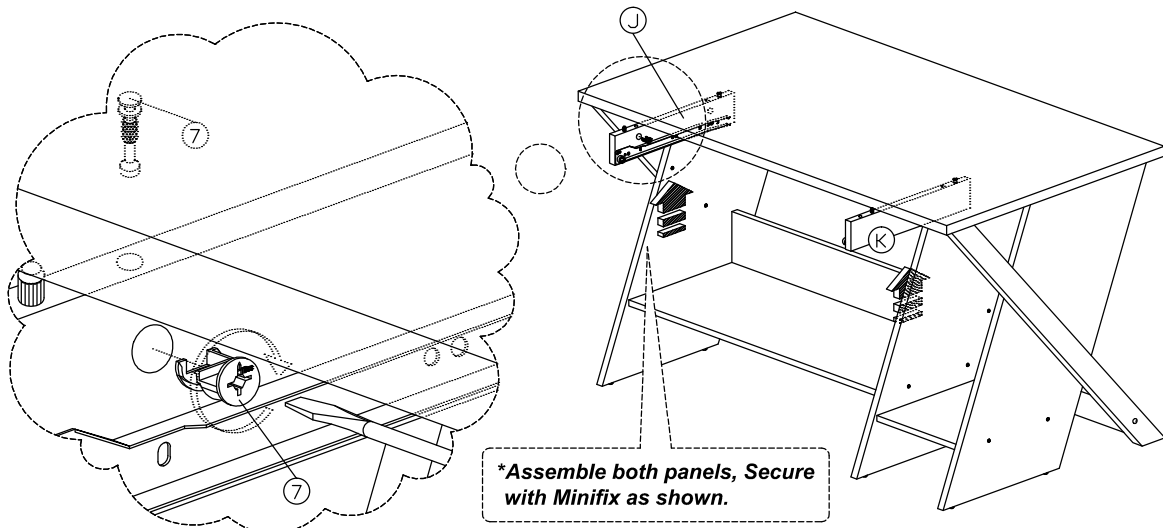
Step 9



Step 10

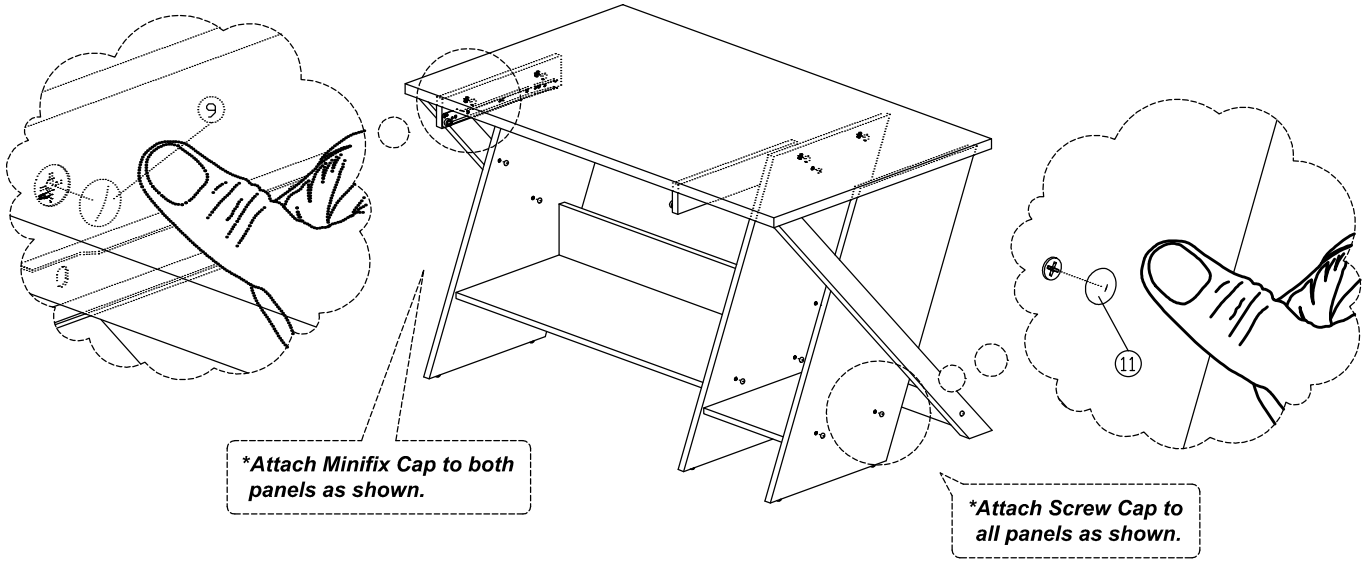


Step 11

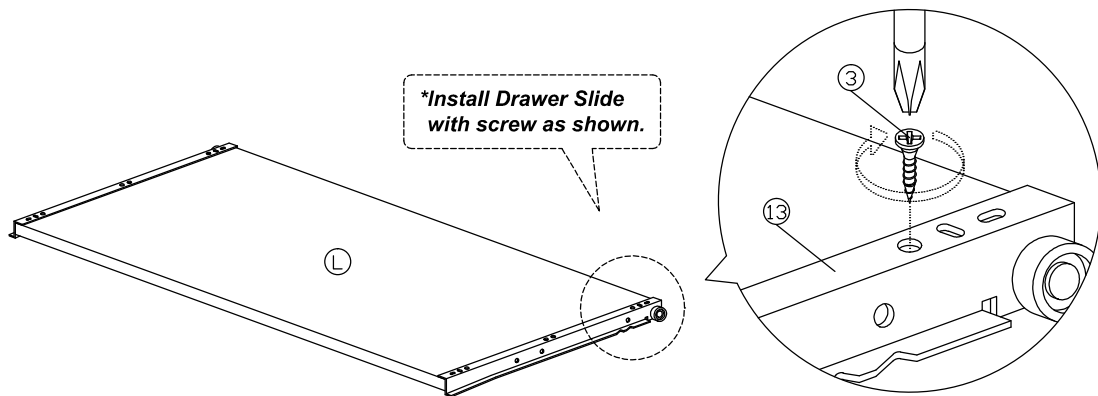


Assembly Instruction

Step 12



Step 13



Step 14

*Place keyboard panel into desk as shown.

