

ASSEMBLY INSTRUCTION

MODEL : SC 865513

DESCRIPTION : 3 DOOR SHOE CABINET

HARDWARE

A
16MM
CB SCREW
M3.5X16MM
1X26

B
38MM
CB SCREW
M4X38MM
1X6

C
NAIL 5/8
1X23

D
D1 D2 D3
3.5 KG MAGNET
(1 HOLE)
3 SETS
CB SCREW
M3X12MM

E
PVC SHELF
SUPPORT
1X16

F
DOOR
SUPPORT
SPRING
1X3

G
G1 G2
MAS R4
1X1 MAS L4
1X2

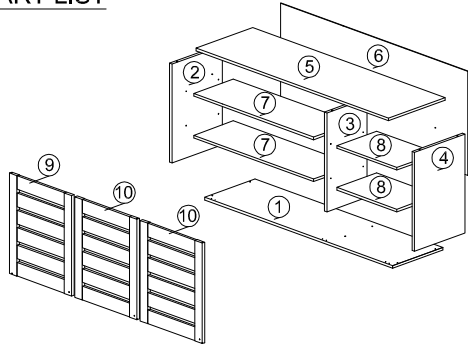
H
ROUND
PLASTIC
LEG (PVC)
1X5

I
I1 I2
MINIFIX 5654+5546
6 SETS

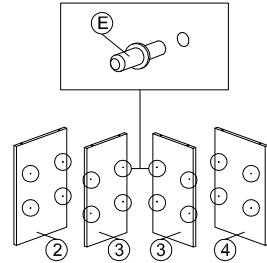
J
L-KEY
1X1

K
QUICKFIT
CAP
1X6

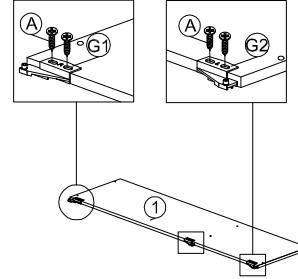
PART LIST



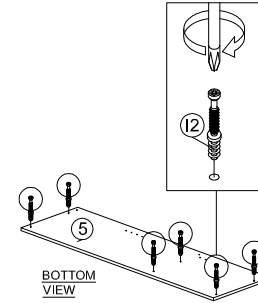
STEP 1



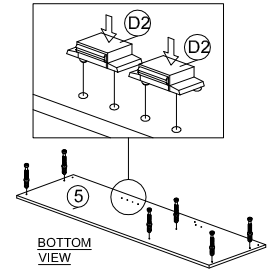
STEP 2



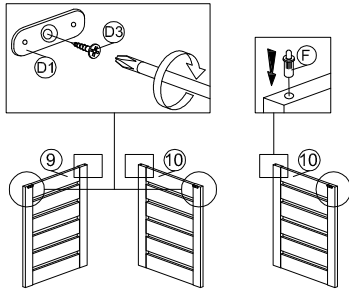
STEP 3



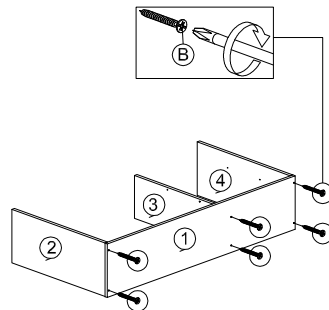
STEP 4



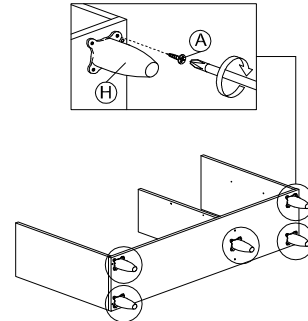
STEP 5



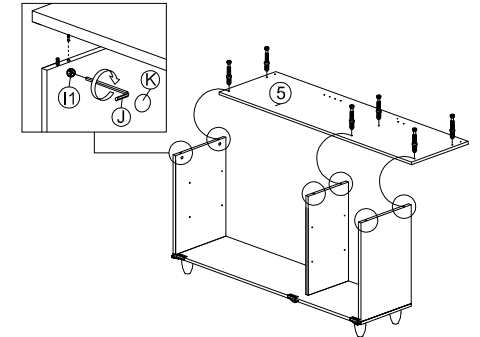
STEP 6



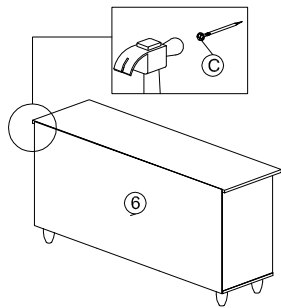
STEP 7



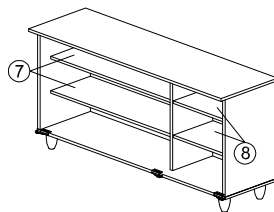
STEP 8



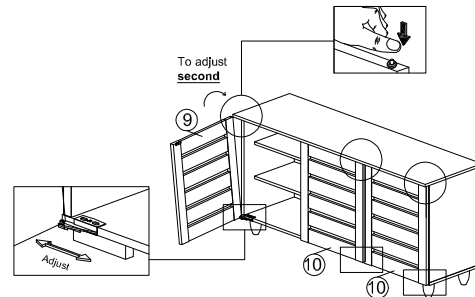
STEP 9



STEP 10



STEP 11



COMPLETED

