

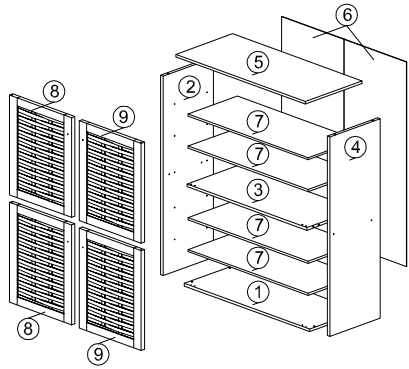
# ASSEMBLY INSTRUCTION

MODEL : SC 864574 B

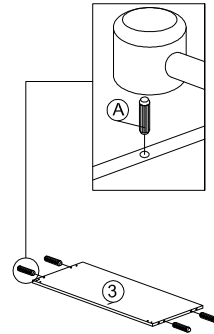
DESCRIPTION : 4 DOORS SHOE CABINET

HARDWARE	A	B	C	D	E	F	G	G1	G2	G3	H	H1	H2	I	I1	I2	J	K	K1	K2	L	M	N	O
	WOOD DOWEL 8 X 25 1X4	CB SCREW M3.5X16MM 1X24	CB SCREW M4X38MM 1X8	NAIL 6/8 1X25	PVC SHELF SUPPORT 1X16	DOOR SUPPORT SPRING 1X2		3.5KG MAGNET (1 HOLE)			CB SCREW M3X12MM	MAS L4	MAS R4	MAS L2	MAS R2		ROUND PLASTIC LEG (PVC)		MINIFIX 5654+5546		L-KEY	QUICKFIT CAP	HANDLE 5022 (METAL)	HANDLE SCREW M4X22MM
									4 SETS								1X4		4 SETS		1X1	1X4	1X4	1X4

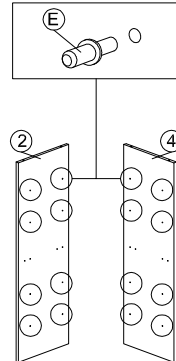
## PART LIST



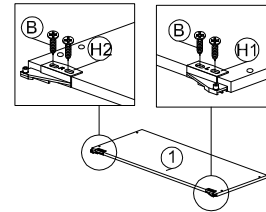
## STEP 1



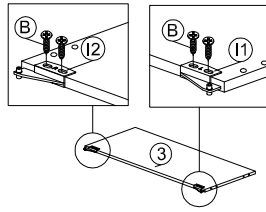
## STEP 2



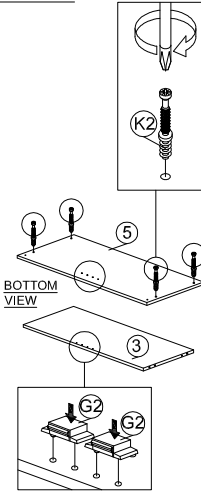
## STEP 3



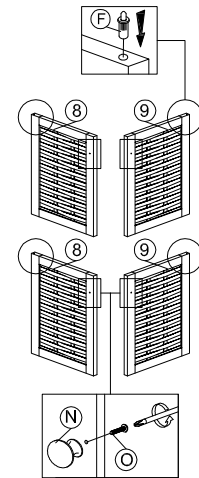
## STEP 4



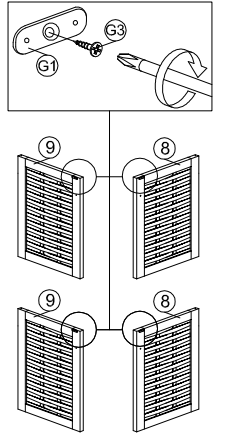
## STEP 5



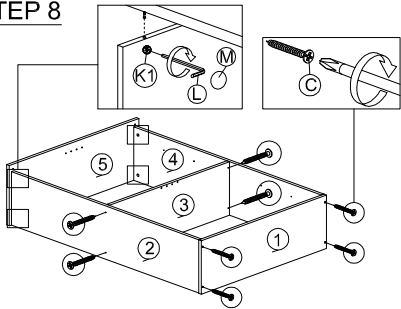
## STEP 6



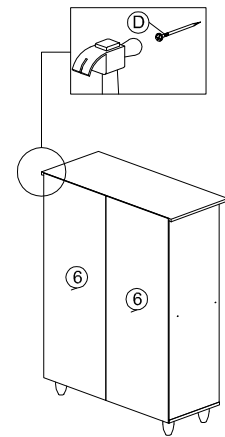
## STEP 7



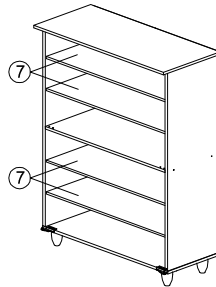
## STEP 8



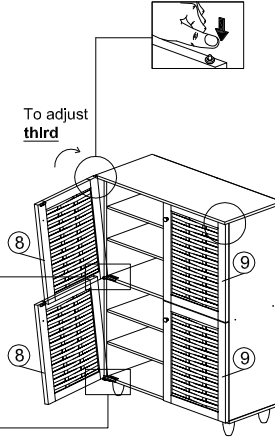
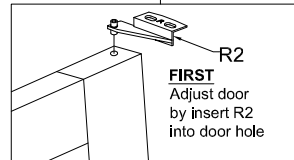
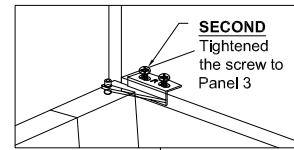
## STEP 10



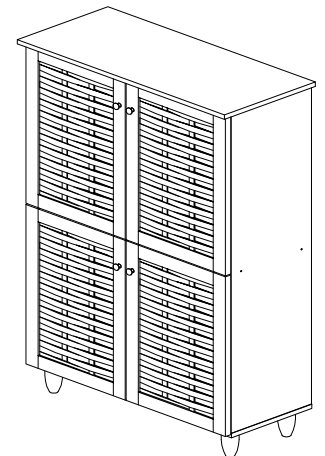
## STEP 11



## STEP 12



## COMPLETED



## STEP 9

