
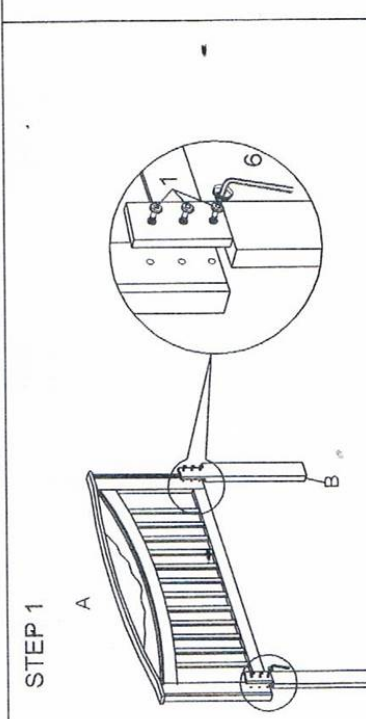
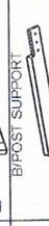
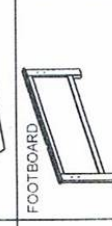

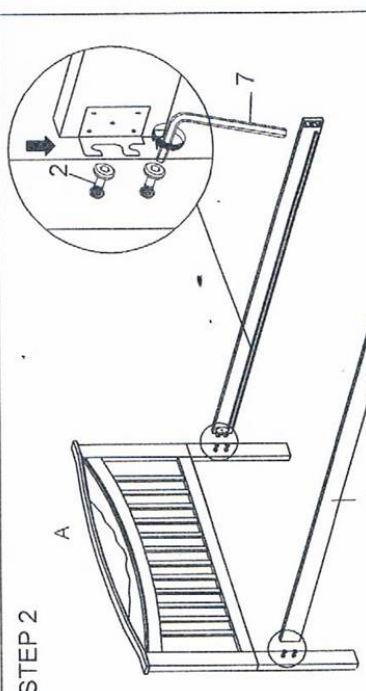



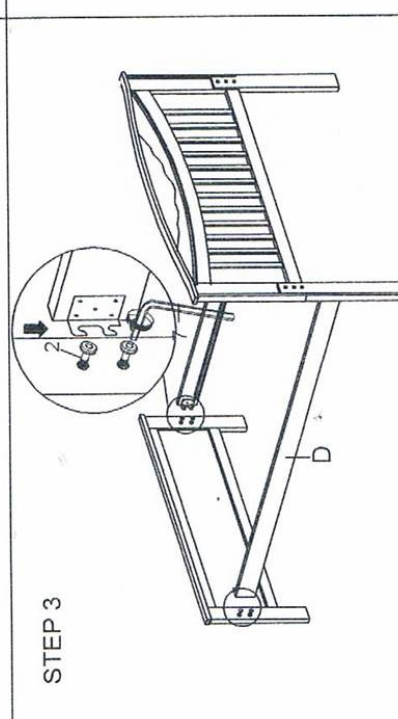


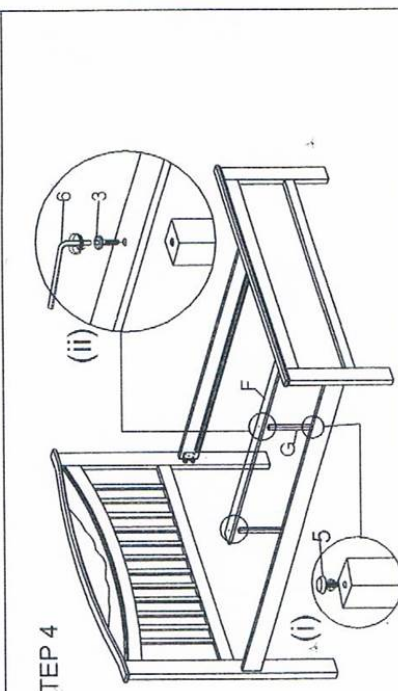
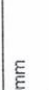
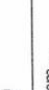

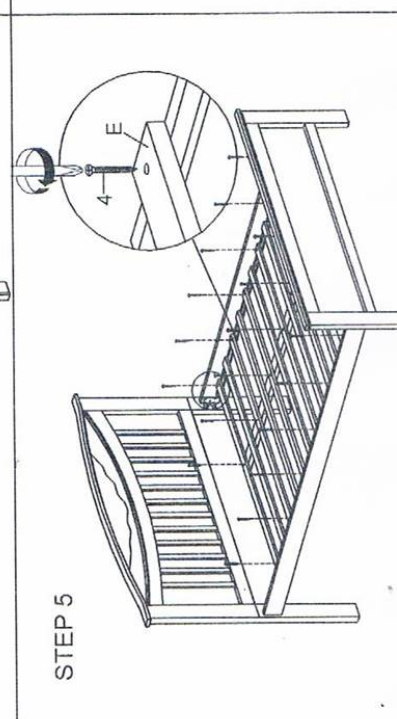
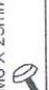

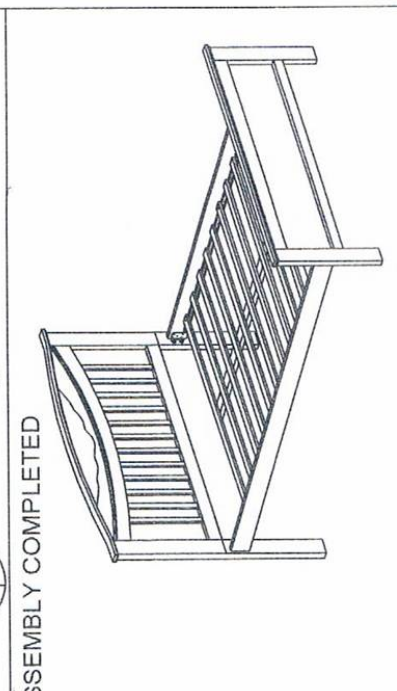


ASSEMBLY INSTRUCTION

MODEL :BSL 342F				
NO	PART LIST	QTY		
A	HEADBOARD 	1PC	 <p>STEP 1</p>	
B	B/POST SUPPORT 	2PCS		
C	FOOTBOARD 	1PC		
D	SIDE RAIL 	2PCS	 <p>STEP 2</p>	
E	SLAT 	12PCS		
F	C/SLAT 	1PCS		
G	C/LEG 	3PCS	 <p>STEP 3</p>	
HARDWARE LIST		QTY		
1	JCBC M6 x 35mm 	6PCS		
2	JCBB M8 x 16mm 	8PCS	 <p>STEP 4</p>	
3	JCBC M6 x 40mm 	3PCS		
4	CSK M4 x 25mm 	18PCS		
5	BASE GLIDE M6 X 23mm 	3PCS	 <p>STEP 5</p>	
6	ALLEN KEY M4 	1PCS		
7	ALLEN KEY M5 	1PCS		
 <p>ASSEMBLY COMPLETED</p>				