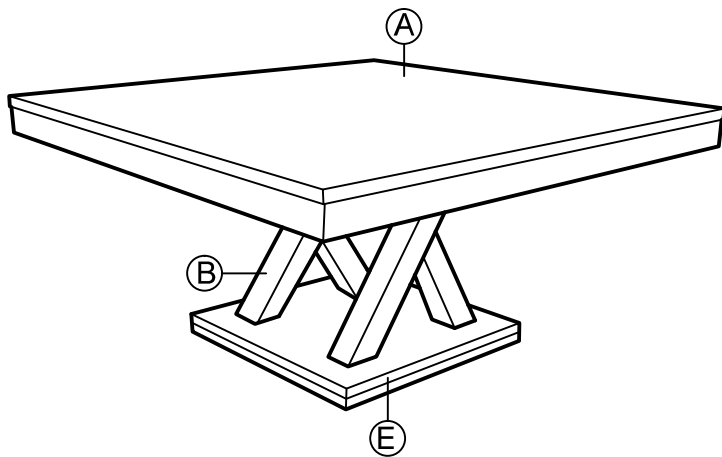


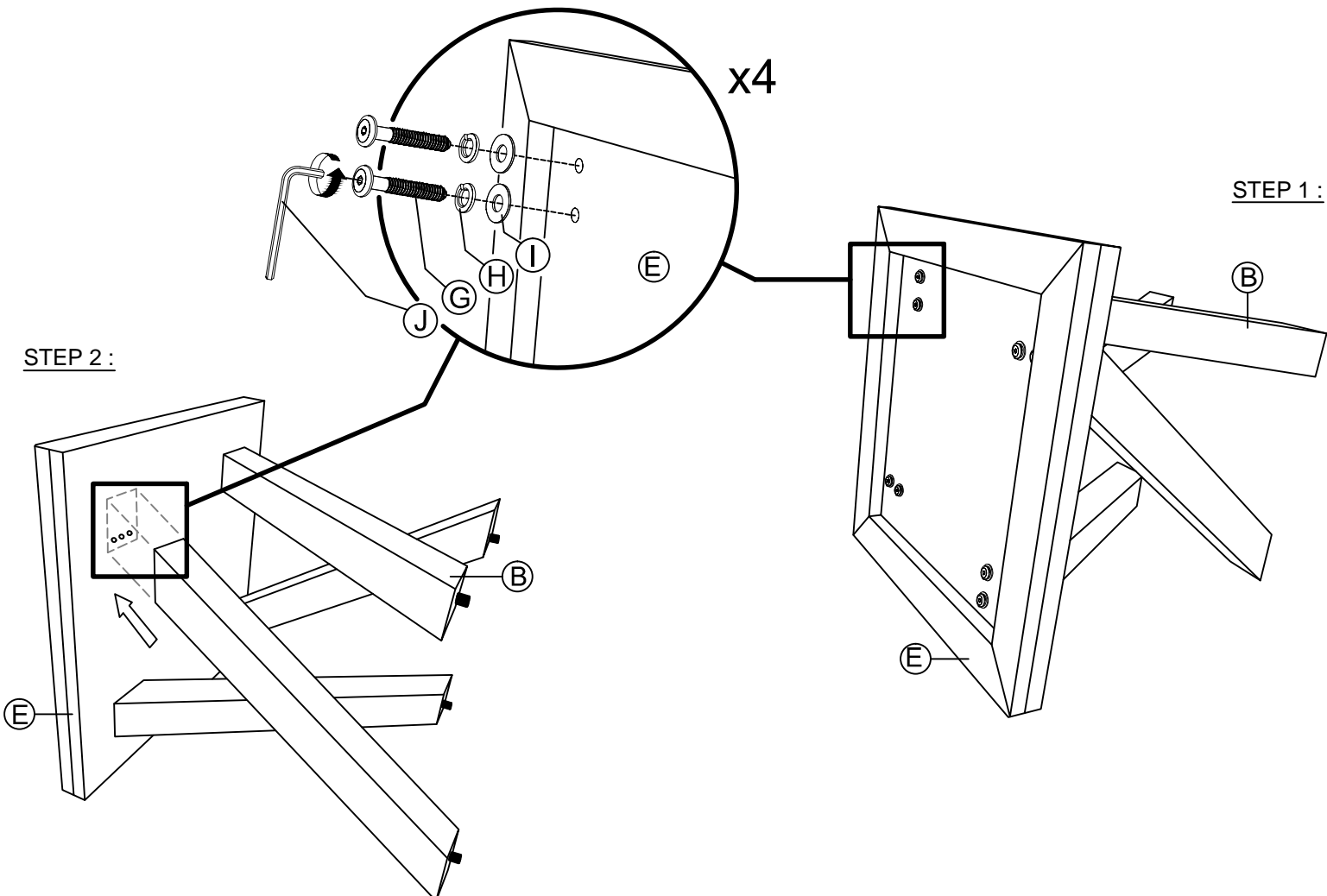
Please read the instructions carefully. Remove all wrapping material, staples and packing straps from the carton. See Hardware and Furniture Parts List for guidance. Be sure you have all the parts before you start assembling. Place all wooden furniture parts on a clean, flat and soft surface, such as carpet or rug to prevent from being scratched.

CAUTION : (1) **DO NOT FULLY-TIGHTEN THE NUTS OR SCREWS INITIALLY UNTIL ALL THE NUTS OR SCREWS ARE ASSEMBLED. (TO AVOID CAUSING DAMAGE TO THE THREAD, DO NOT OVER-TIGHTEN THE NUTS OR SCREWS.)**
 (2) **KEEP ALL HARDWARE PARTS OUT OF REACH OF CHILDREN.**

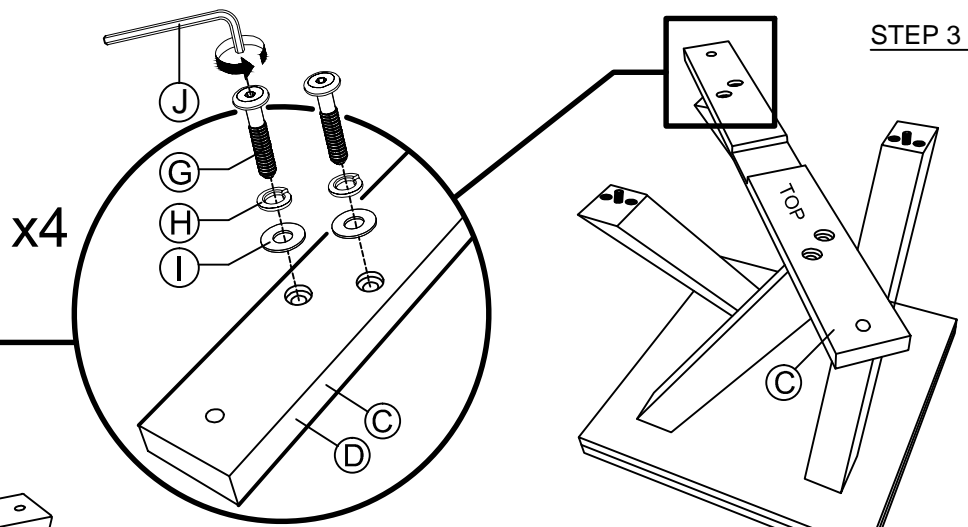


Part List		
NO.	Description	Qty.
A	Table Top	1
B	Leg	4
C	Top Cross Rail - 1	1
D	Top Cross Rail - 2	1
E	Bottom Panel	1

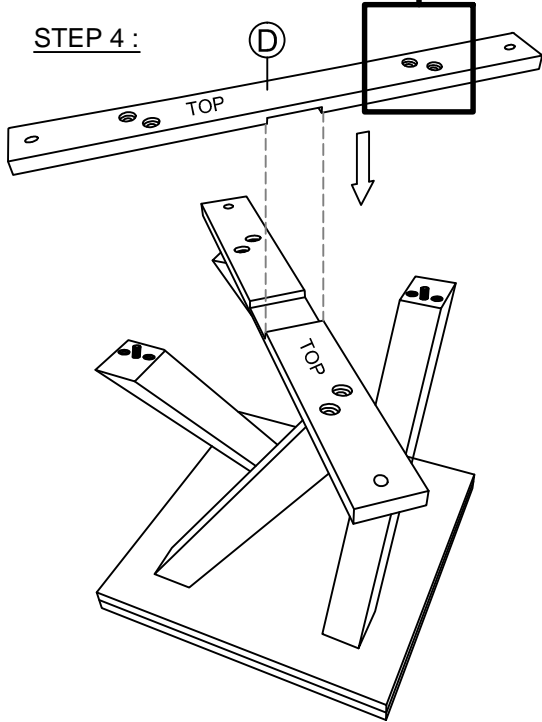
Hardware List			
NO.	Description		Qty.
F	JCBB Bolt M8 x 35mm		4
G	JCBB Bolt M8 x 50mm		16
H	Spring Washer M8		20
I	Flat Washer M8 x 18		20
J	Allen Key M5		1



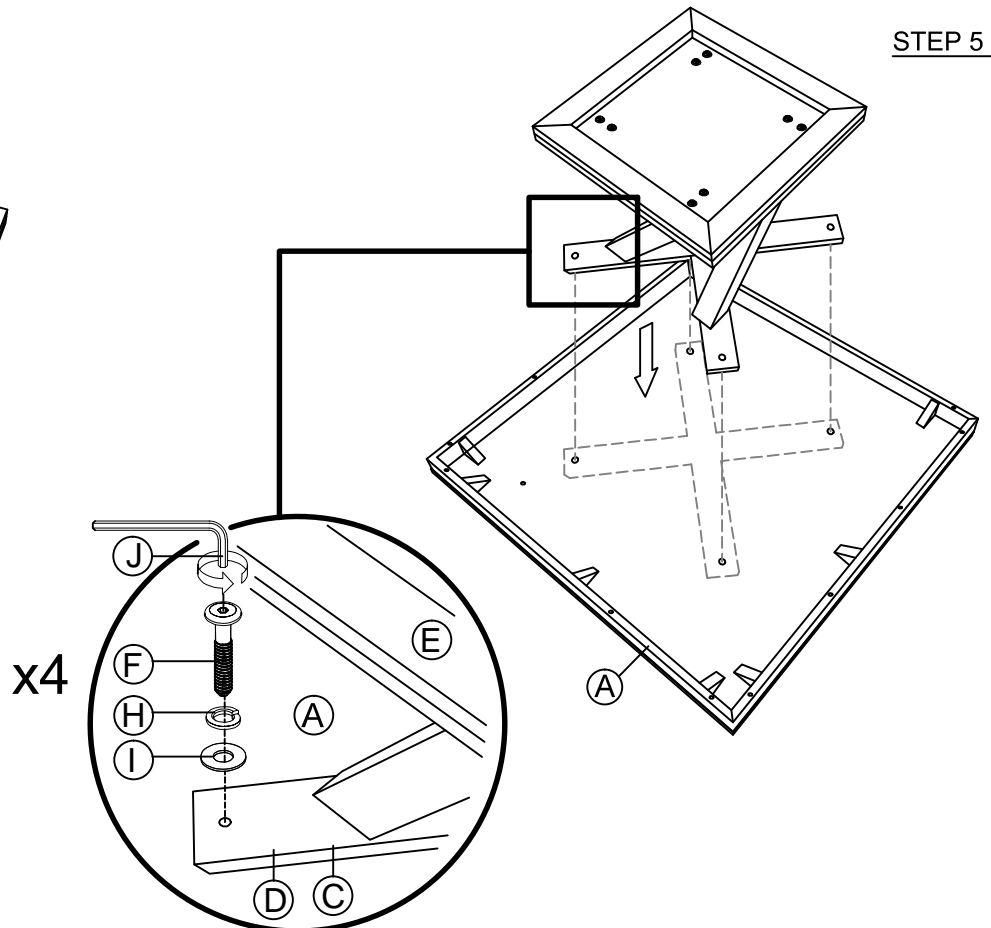
STEP 3 :



STEP 4 :



STEP 5 :



STEP 6 :

Set table upright on its legs.

