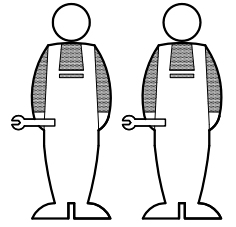
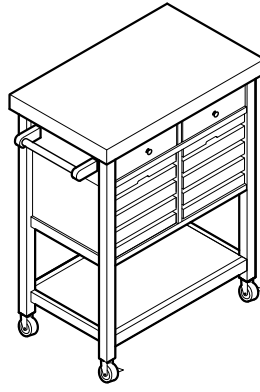
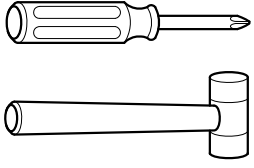


ASSEMBLY INSTRUCTIONS

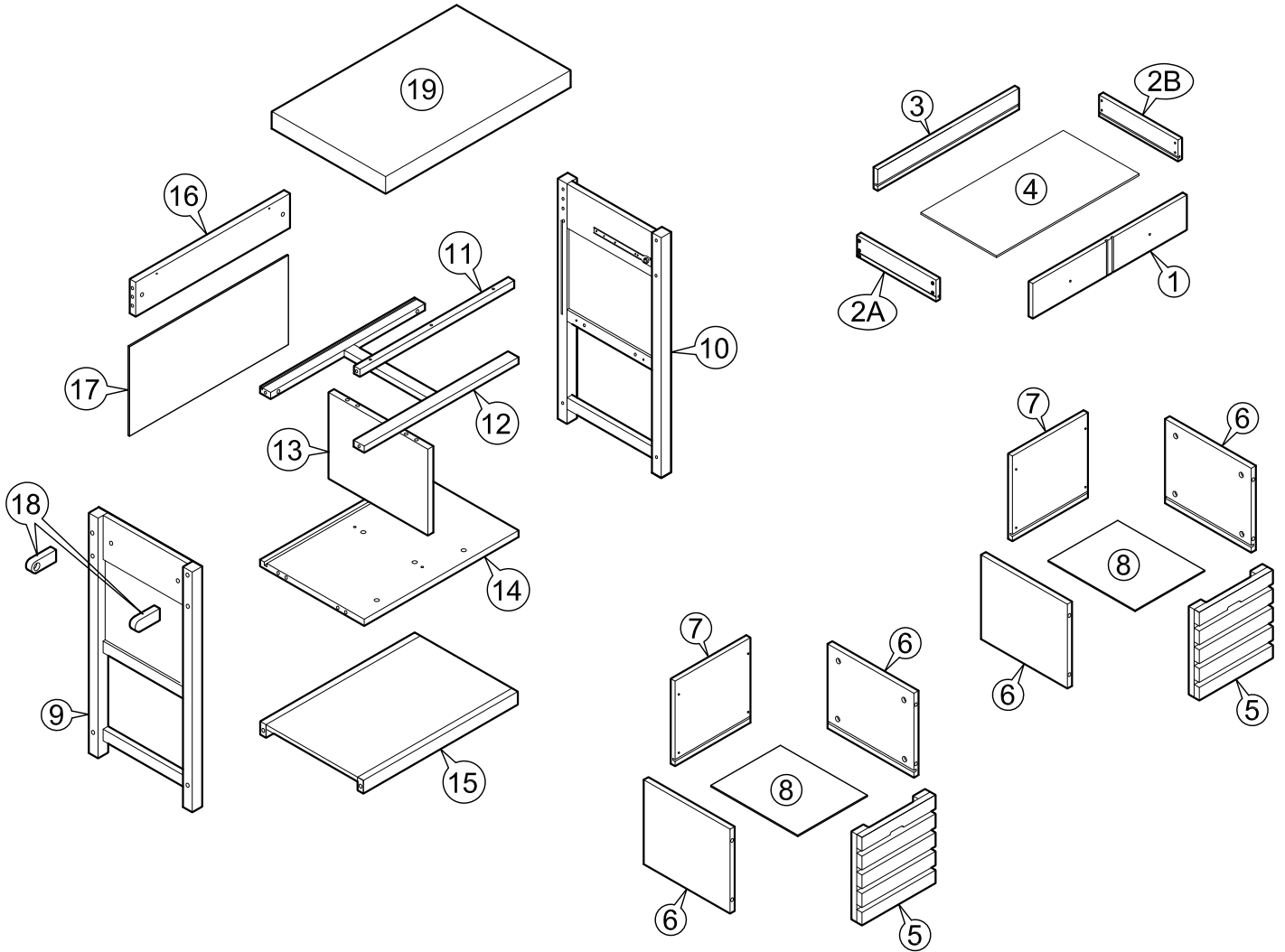
ITEM : JADEN KITCHEN CART



Not Provided

2 Persons

Part List

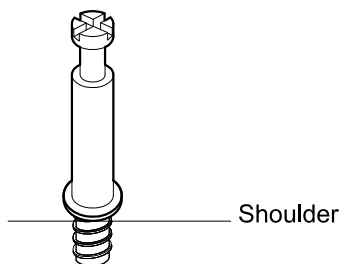


Hardware List

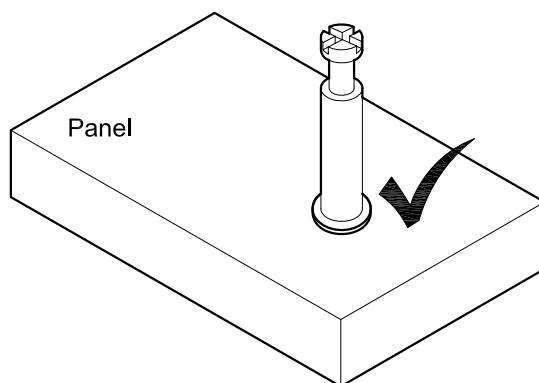
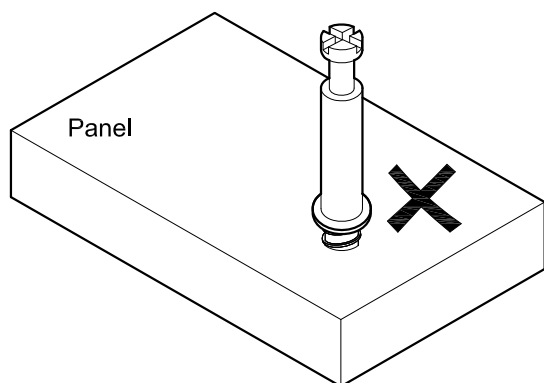
A	M6 x 25mm = 2	F	12mm = 22	K	M3.5 x 12mm(Black) = 4	P	50mm = 2
B	M6 x 40mm = 2	G	34mm = 22	L	= 2		
C	M6 x 70mm = 12	H	#8 x 1 1/4" = 13	M	= 1		
D	M6 x 13mm = 12	I	= 2	N	14.5Ø = 12		
E	M8 x 30mm = 12	J	20mm = 2	O	254 x 19Ømm = 1		

SPECIAL TIPS FOR FITTING CAM-LOCKS AND QUICKFIT

QUICKFIT



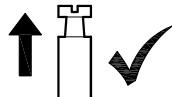
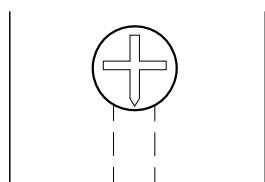
Tighten Until Shoulder is flush with panel. Do not overtighten or undertighten (see example below).



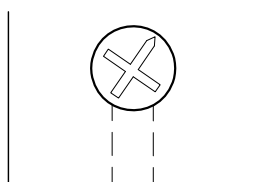
CAM-LOCK



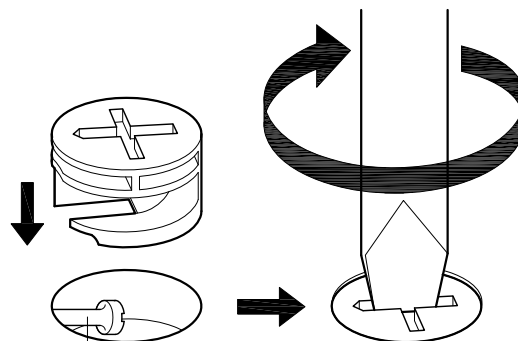
WHEN FITTING CAM-LOCK
ENSURE STARTING POSITION IS CORRECT
BEFORE YOU INSERT CONNECTING QUICKFIT
TURN CLOCKWISE UNTIL SECURE



CORRECT

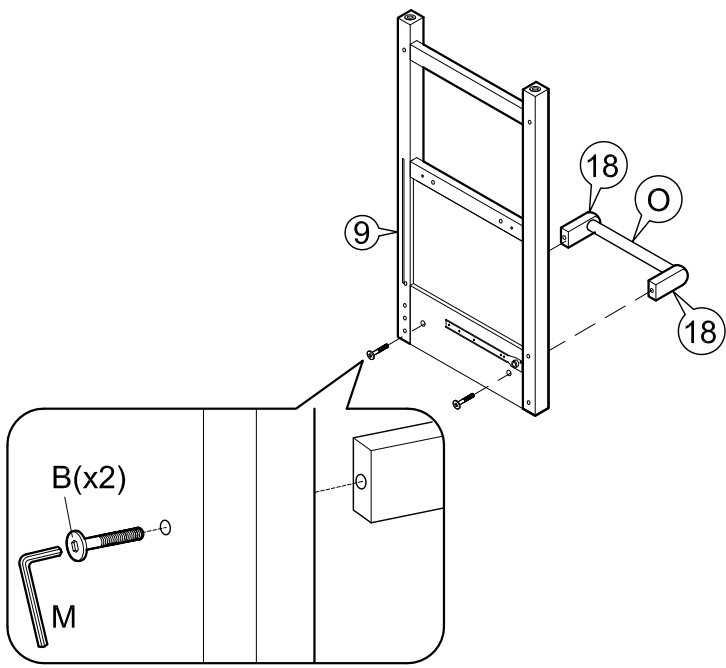


WRONG

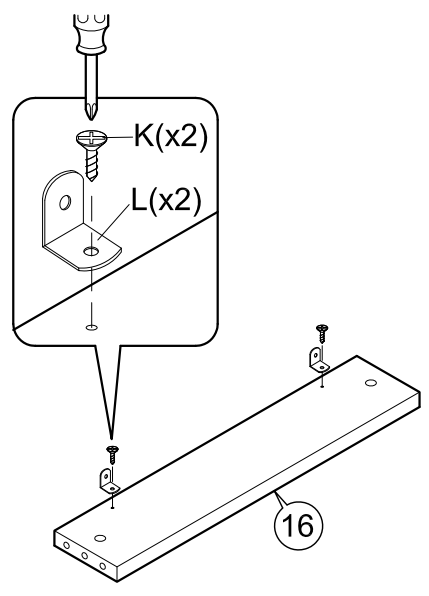


Quickfit head needs to be in centre

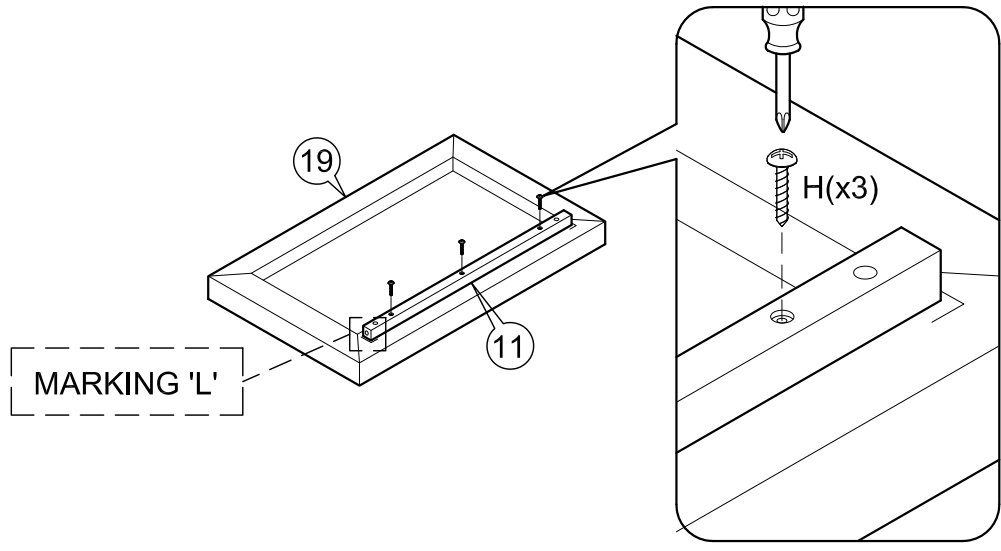
1



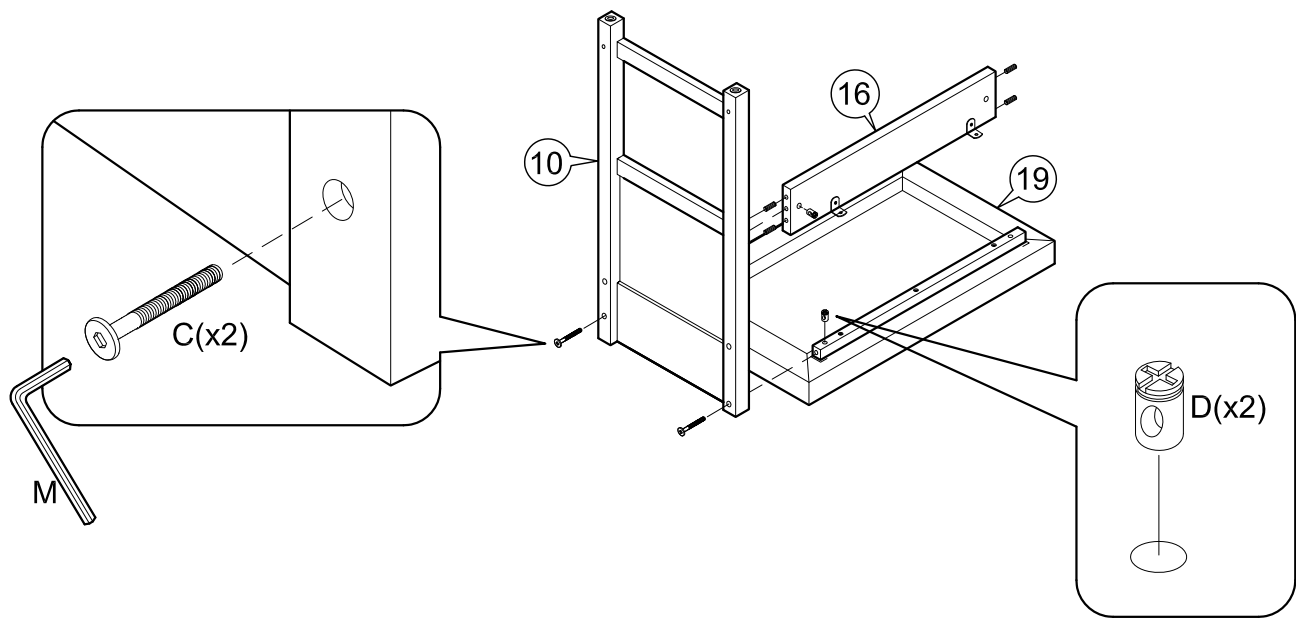
2



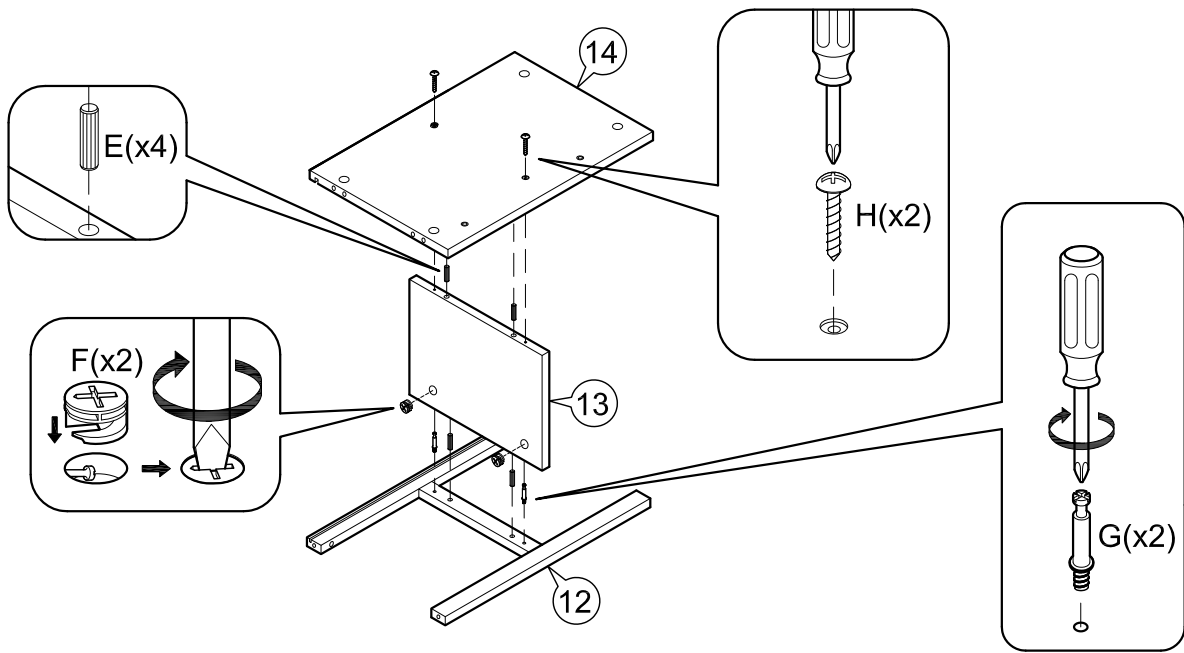
3



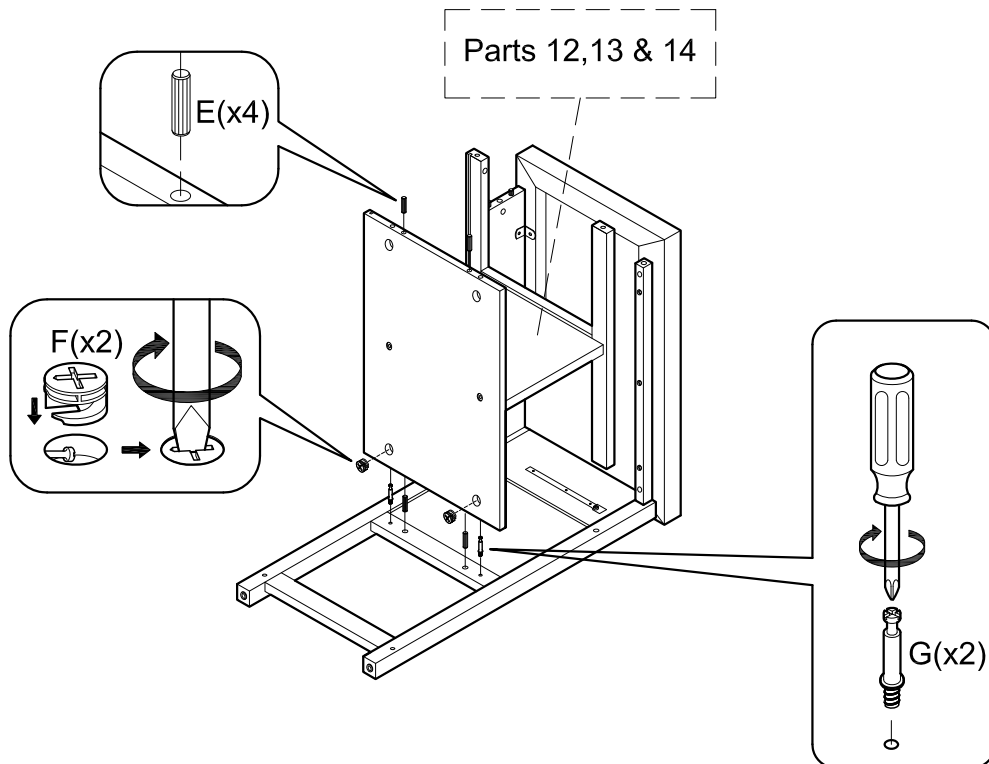
4



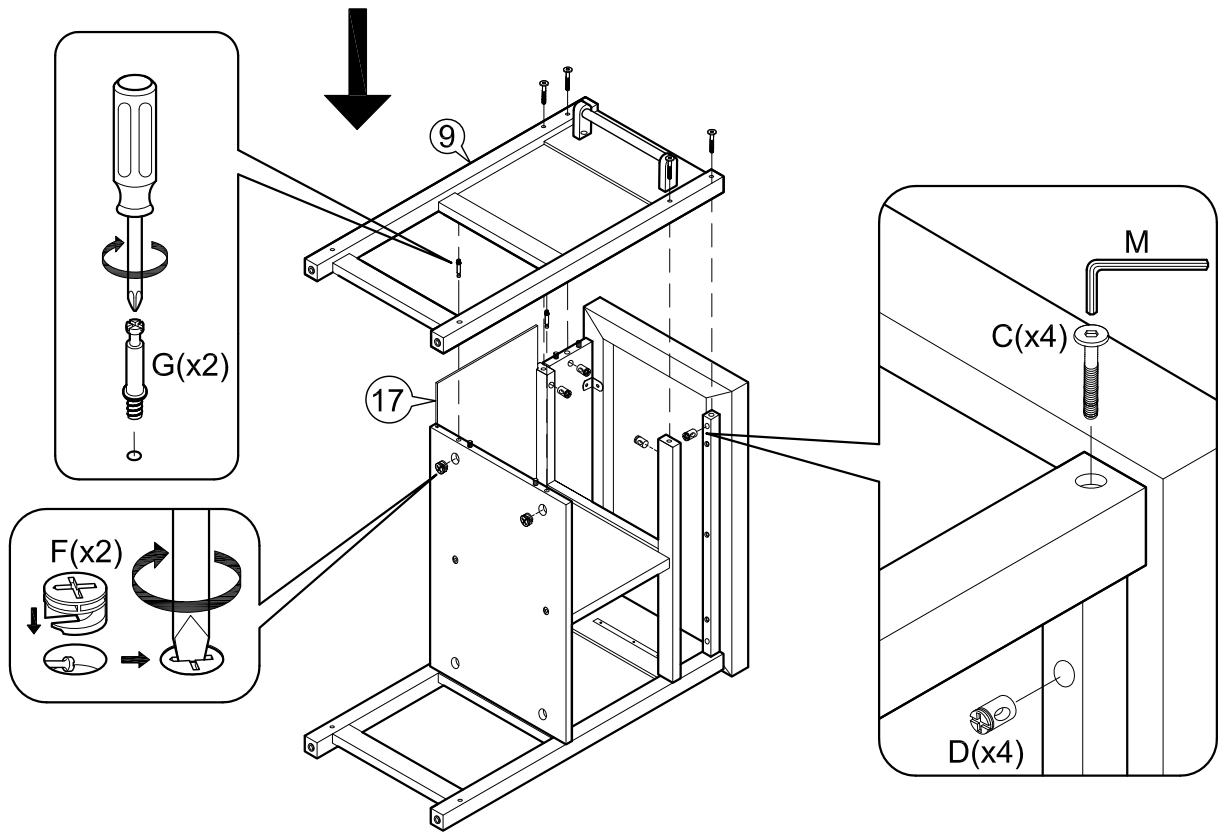
5



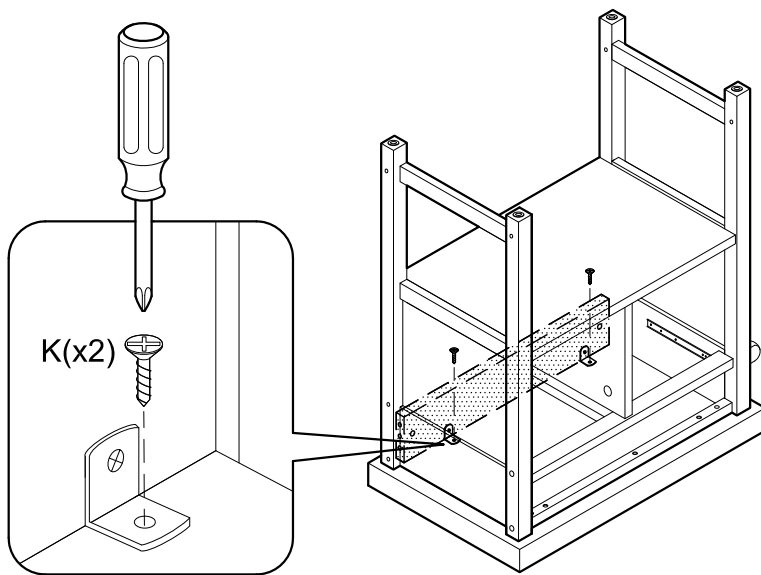
6



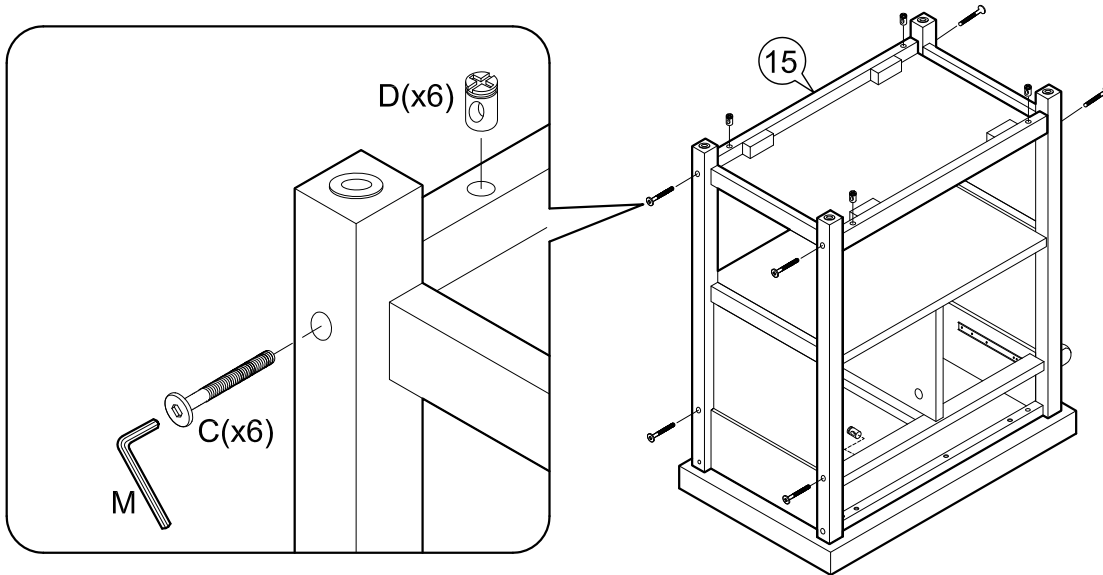
7



8

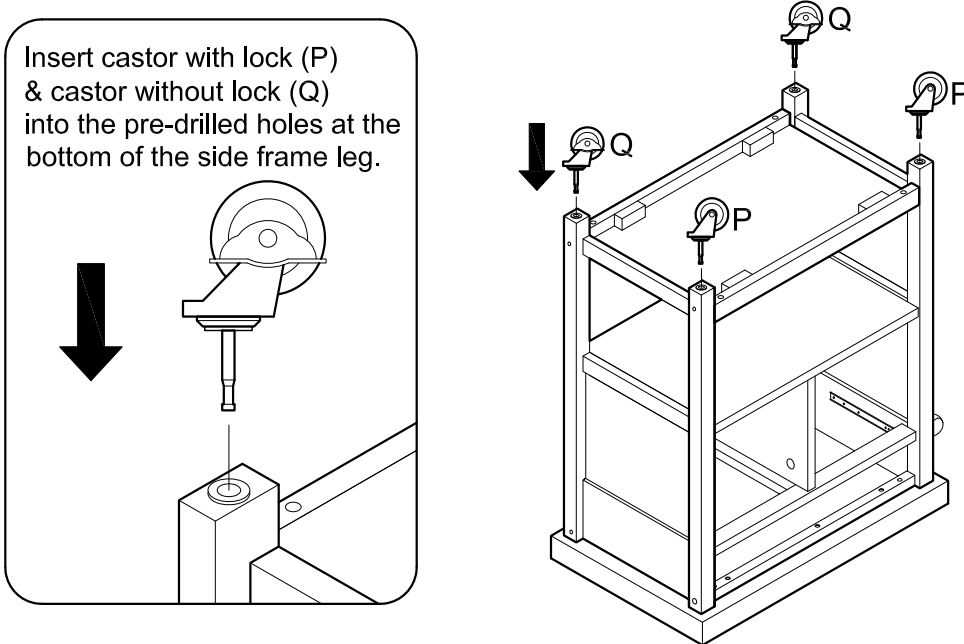


9

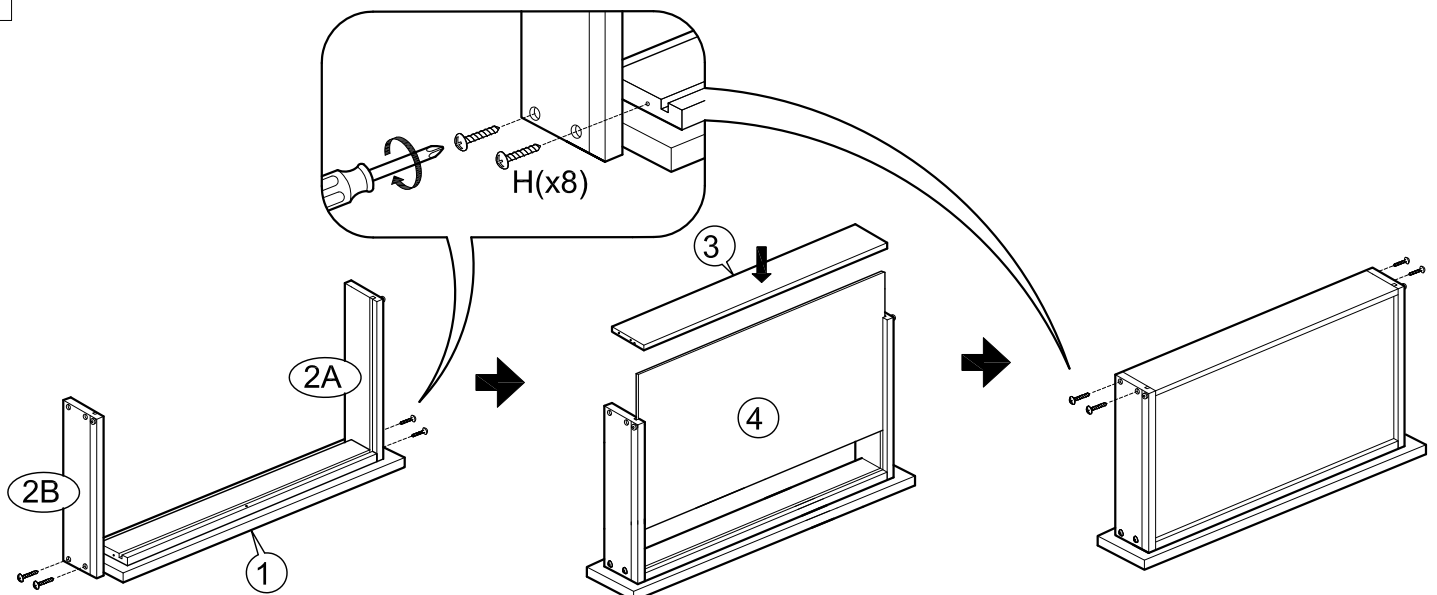


10

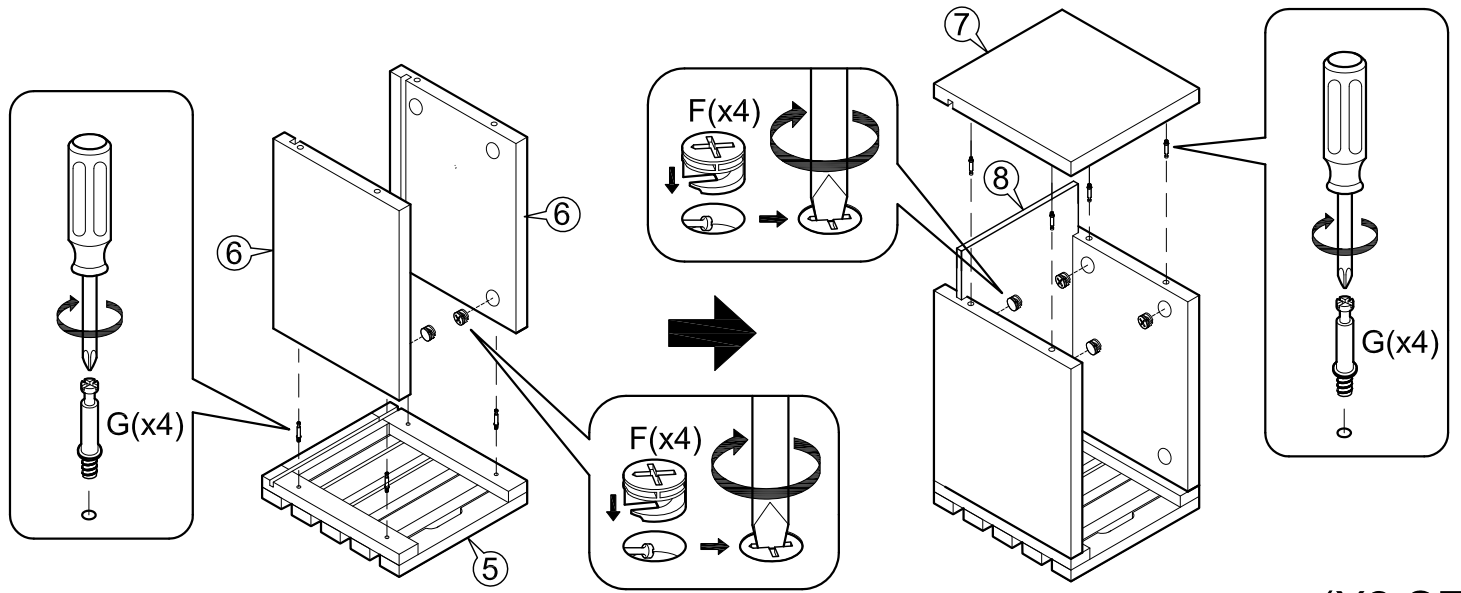
Insert castor with lock (P)
& castor without lock (Q)
into the pre-drilled holes at the
bottom of the side frame leg.



11

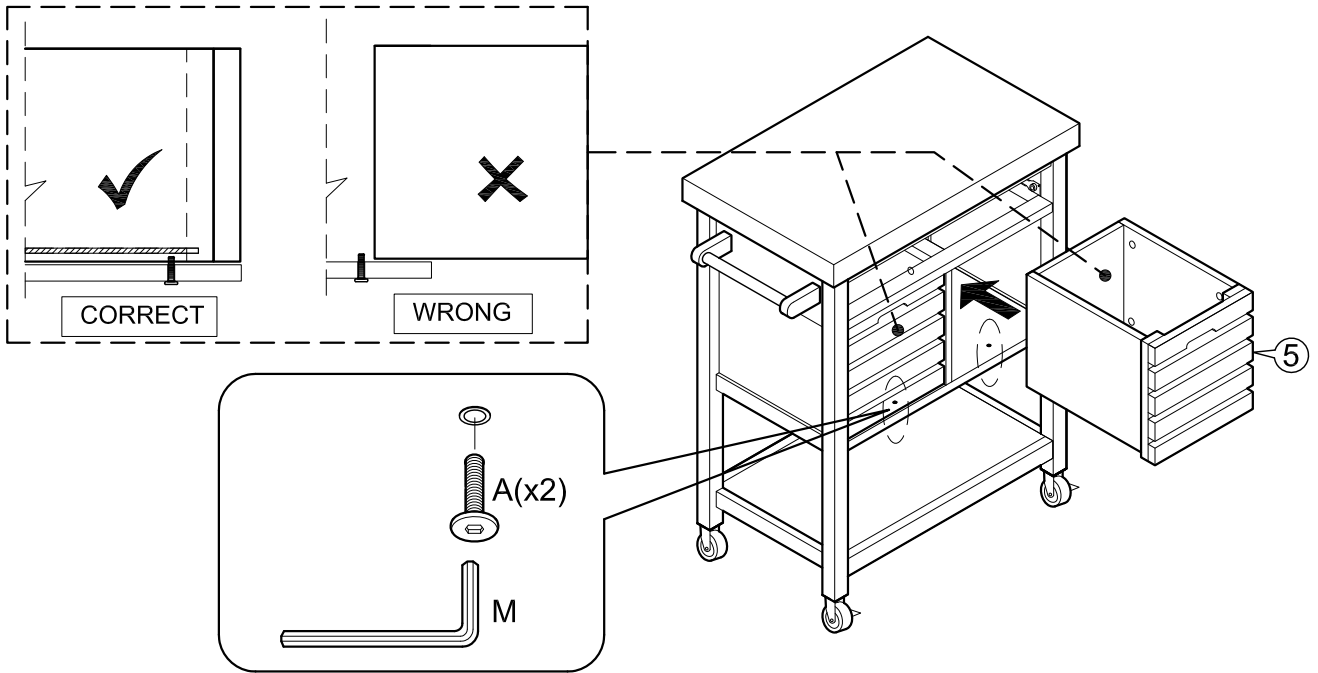


12



(X2 SET)

13



14

