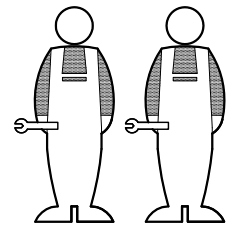
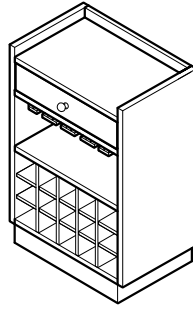
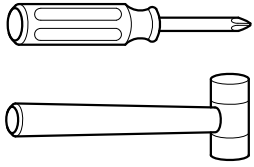


ASSEMBLY INSTRUCTIONS

Item : Oscar Wine Rack

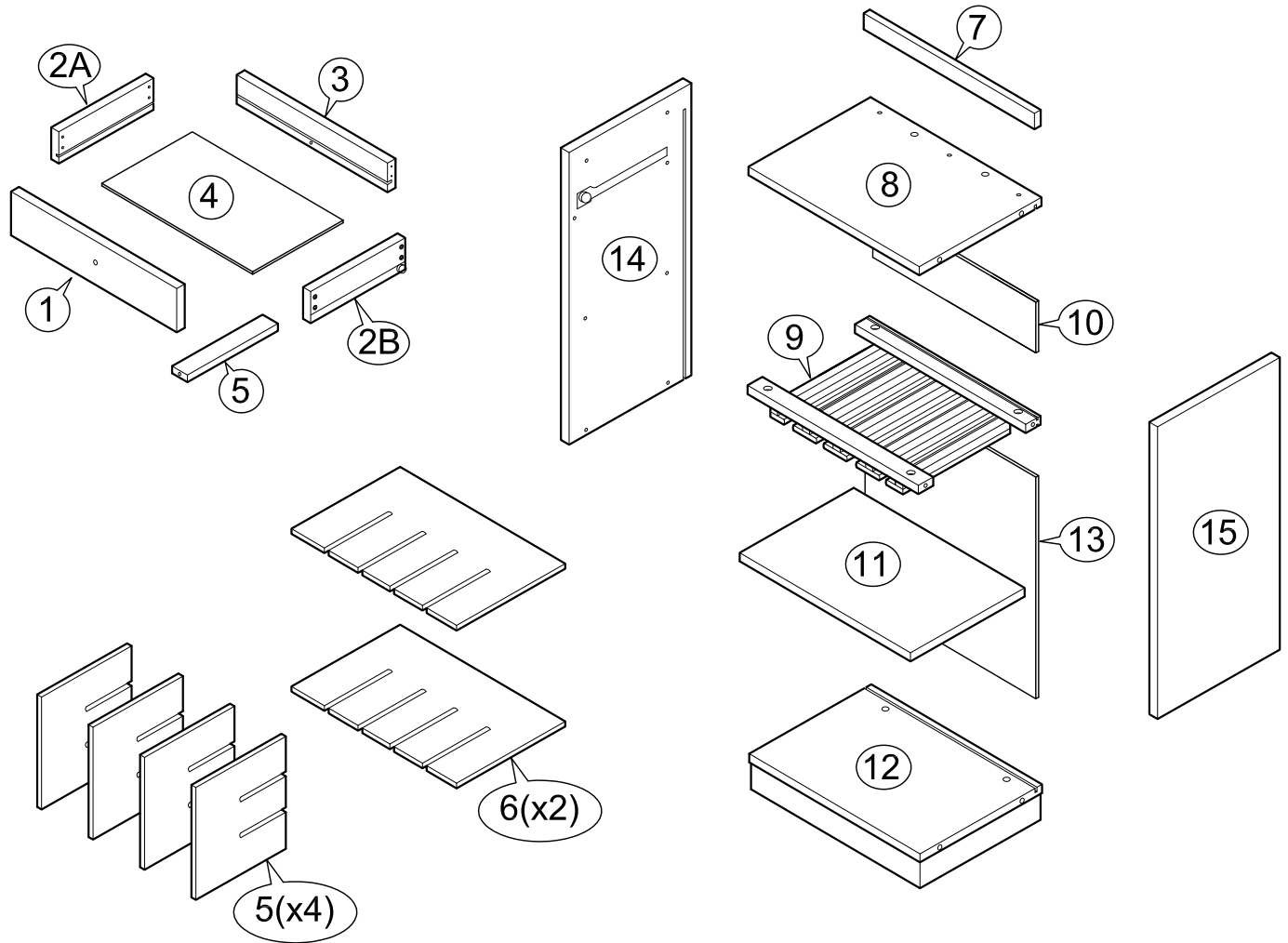


2 Persons





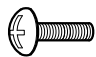
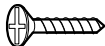


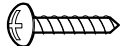
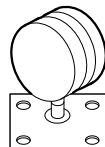
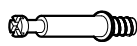





Not Provided

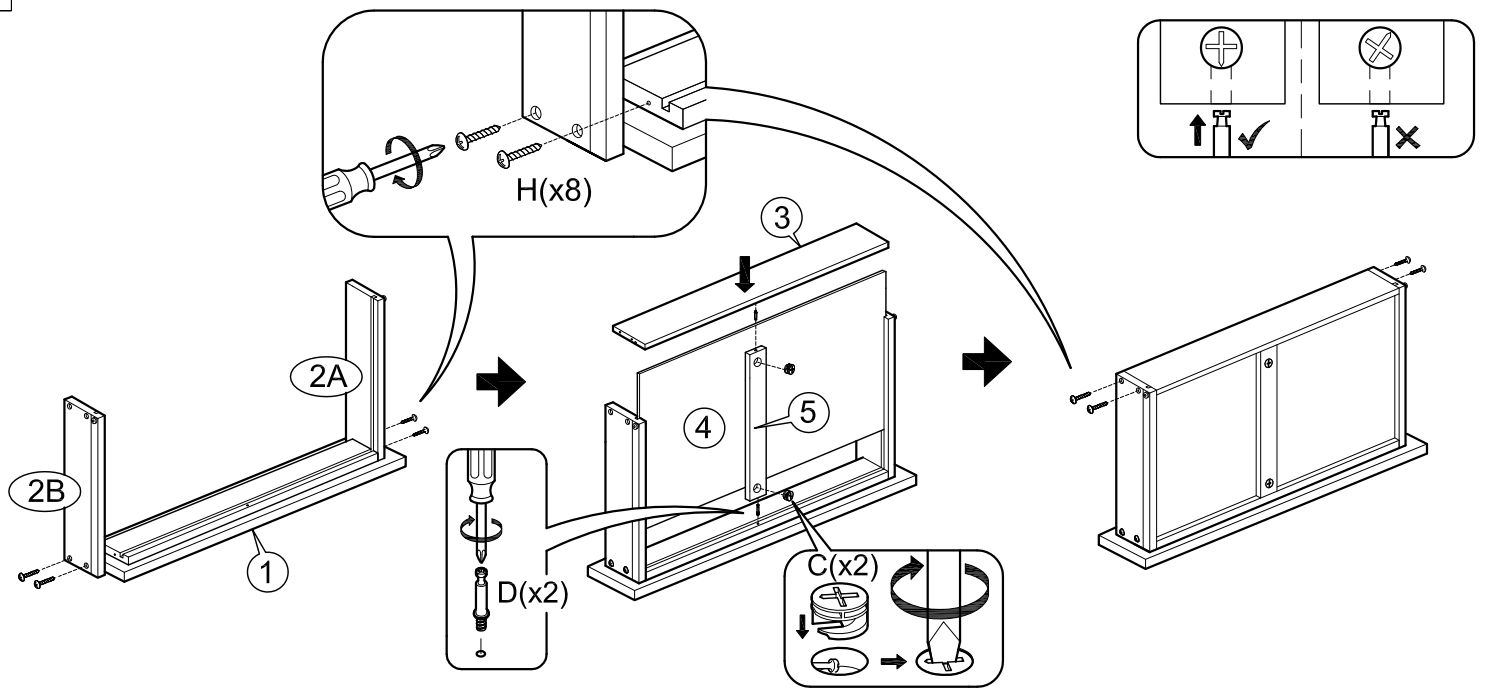
Part List



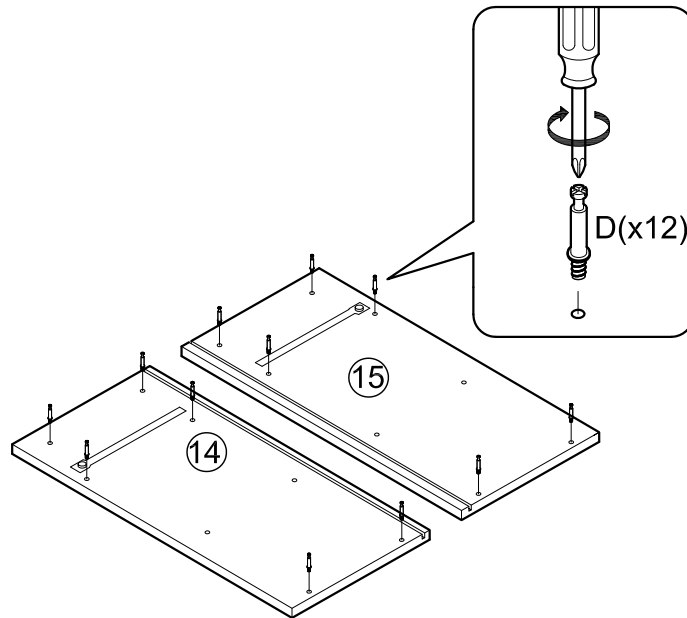
Hardware List

A	 = 1	F	 M3.5 x 16mm = 16	K	 M6 x 30mm = 2	N	 = 1
B	 20mm = 1	G	 M4 x 25mm = 3	L	 50mmØ With Lock = 2		
C	 12mm = 14	H	 Pan Head #8 x 1 1/4" = 8	M	 50mmØ Without Lock = 2		
D	 34mm = 14	I	 = 4				
E	 = 4	J	 M3 x 20mm = 4				

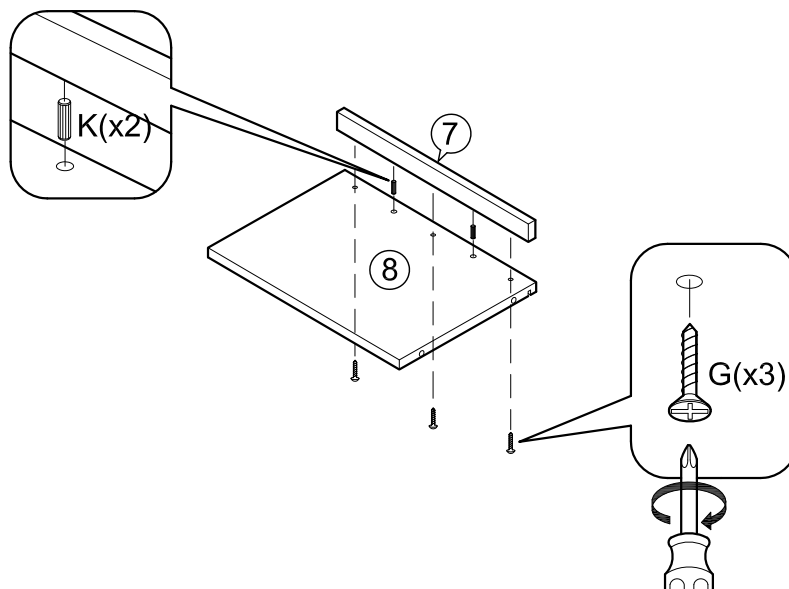
1



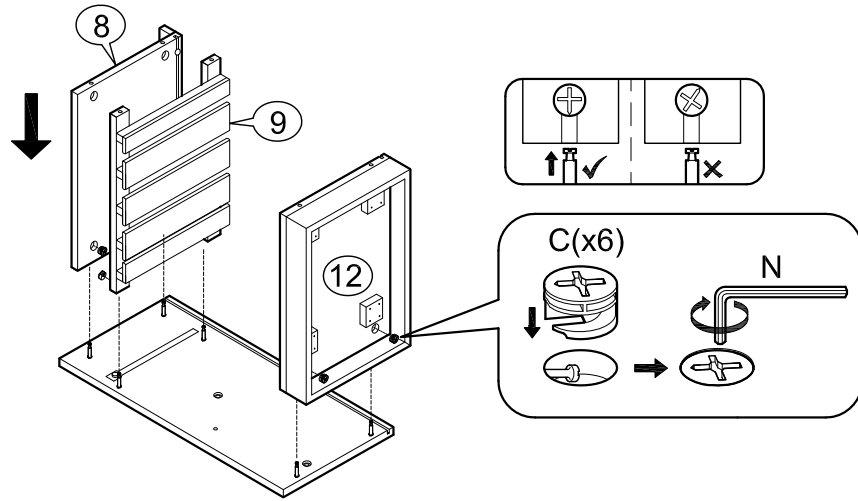
2



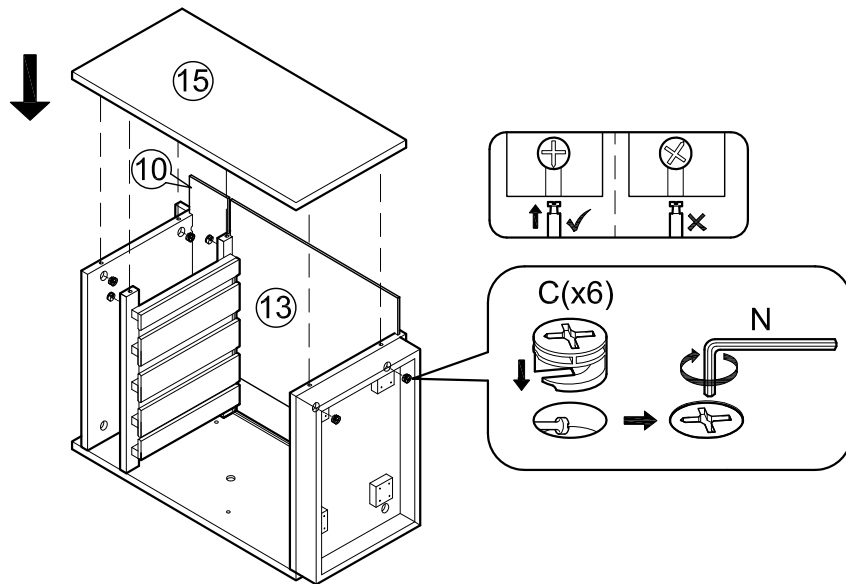
3



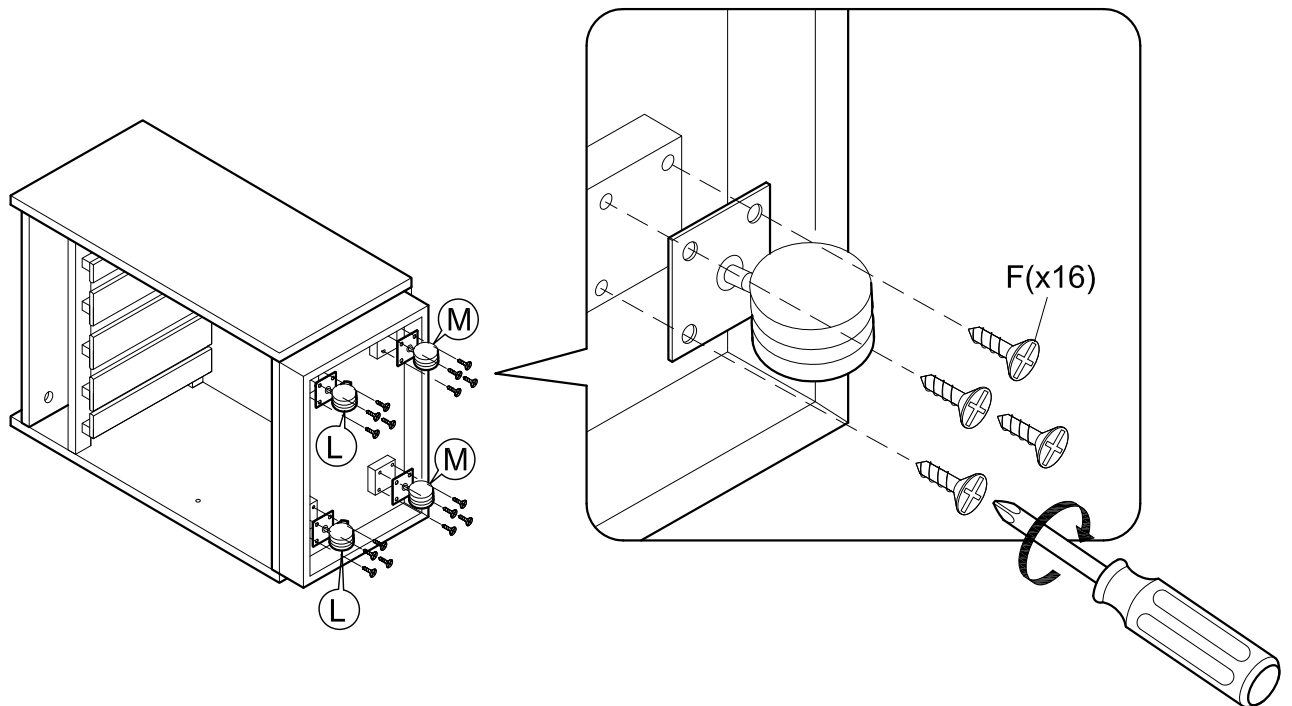
4



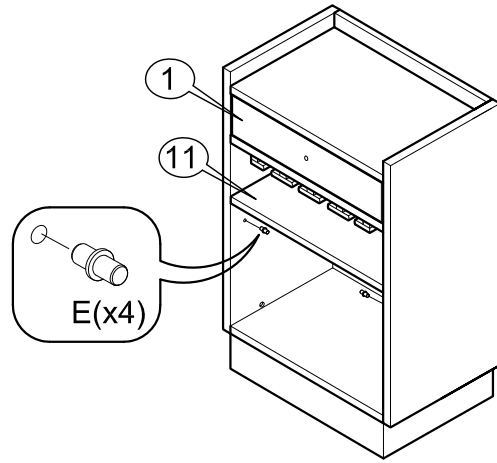
5



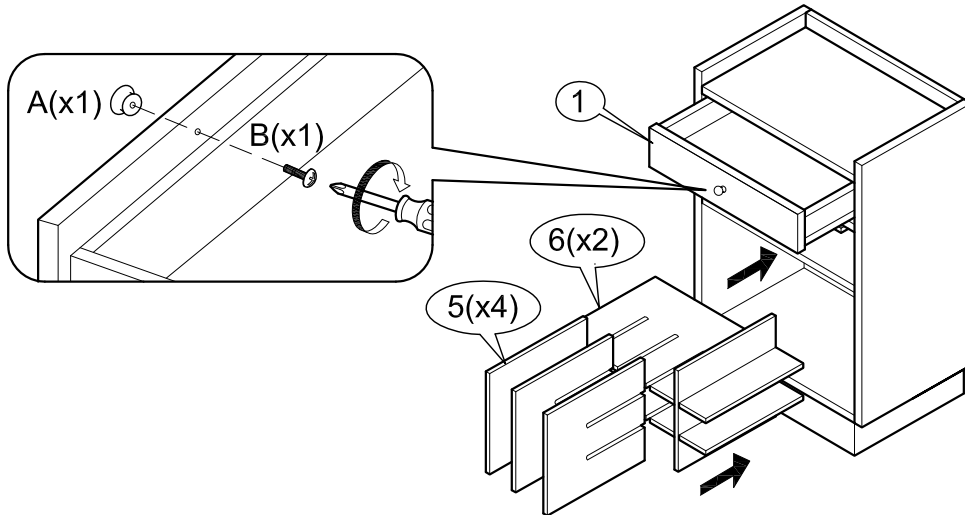
6



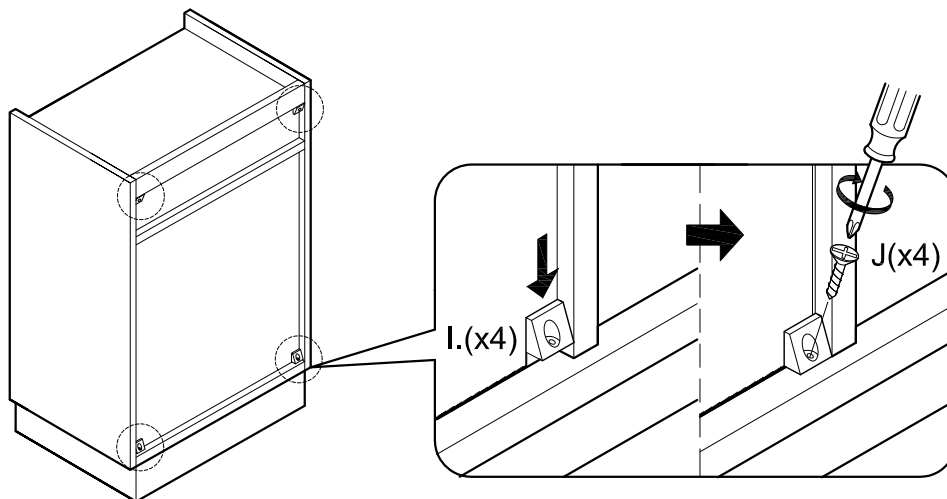
7



8



9



BACK VIEW