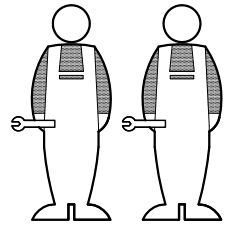
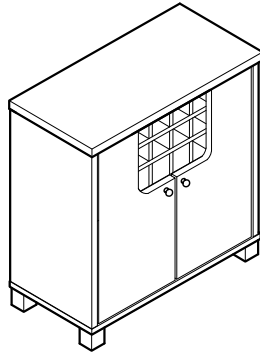
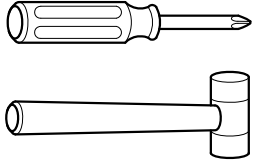


ASSEMBLY INSTRUCTIONS

Item : Murano Wine Rack

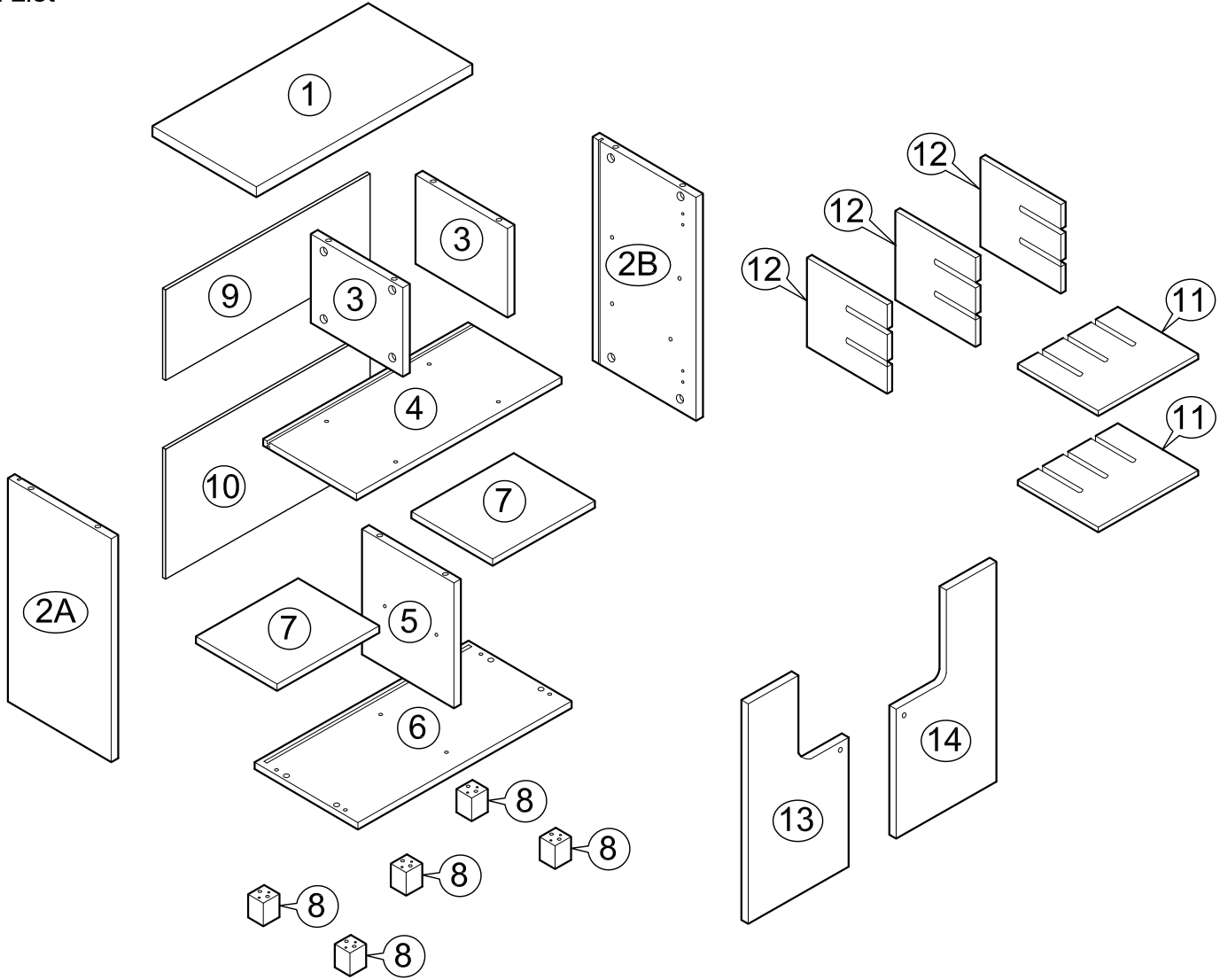


2 Persons





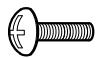

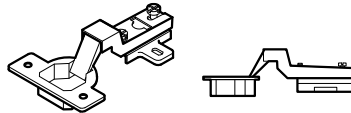


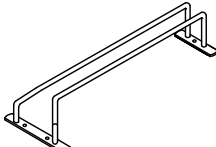
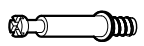





Not Provided

Part List

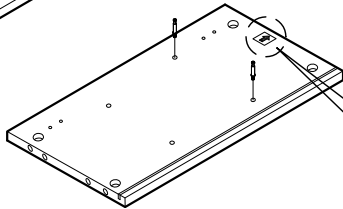
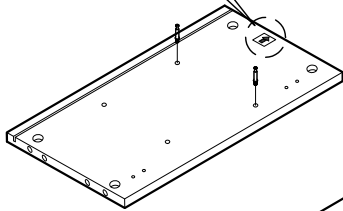
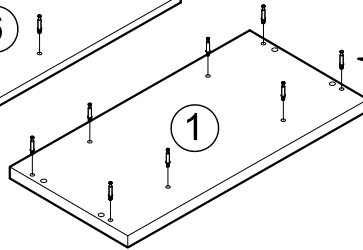
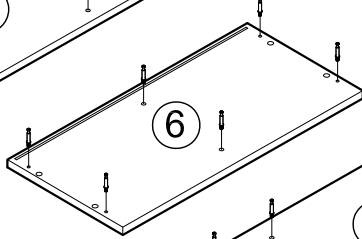
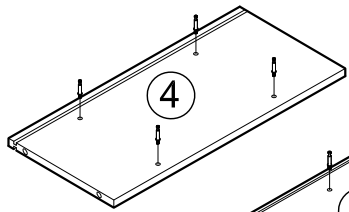


Hardware List

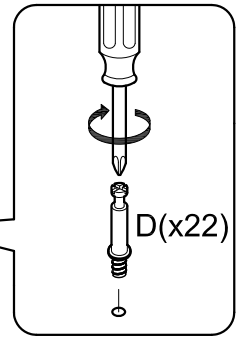
A	 = 2	F	 M3.5 x12mm = 6	K	 M8 x 30mm = 18	N	 = 1
B	 20mm = 2	G	 M3.5 x16mm(Black) = 16	L	 Mini-7/8" = 4		
C	 12mm = 24	H	 Pan Head #8 x 1 3/4" = 10	M	 = 2		
D	 34mm = 24	I	 = 4	J	 M3 x 20mm = 4		
E	 = 8						

1

Sticker "↑
2B"



Sticker "↑
2A"

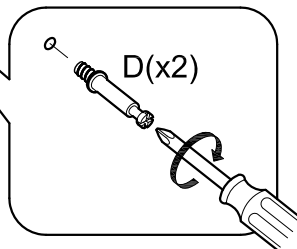
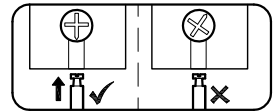
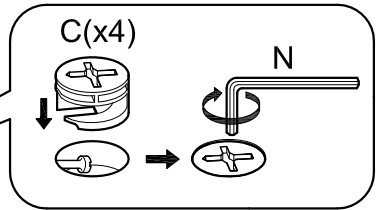
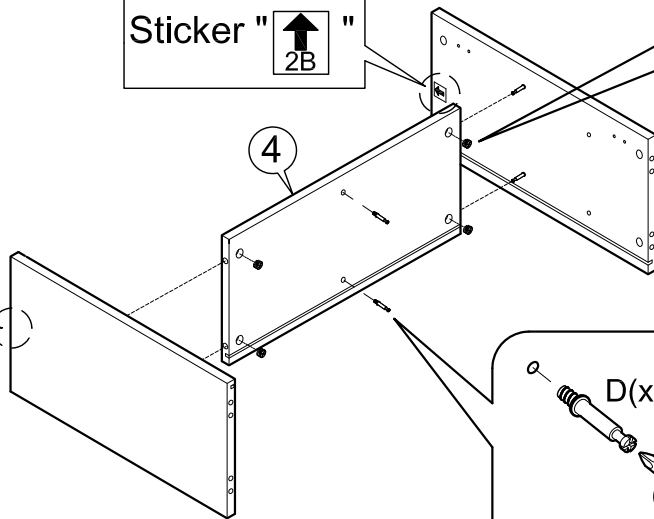


2

Sticker "↑
2B"

4

Sticker "↑
2A"

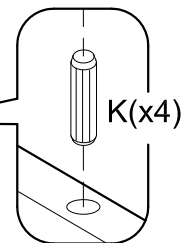
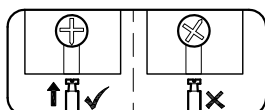
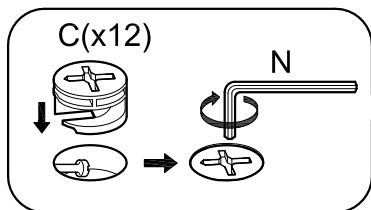


3

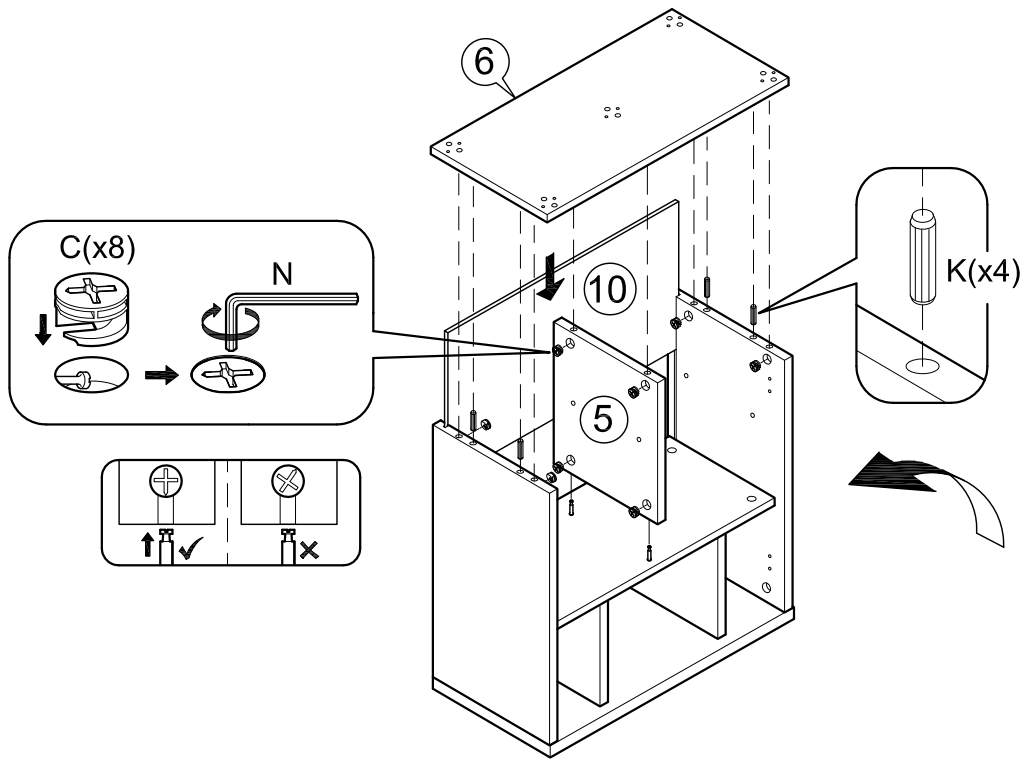
1

9

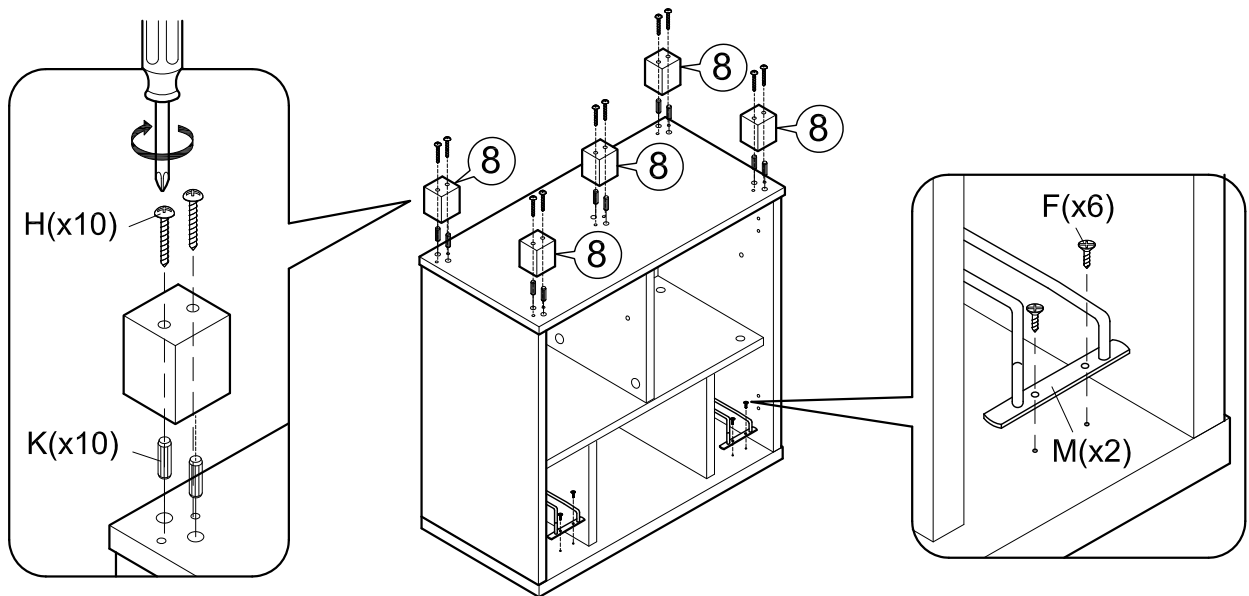
3



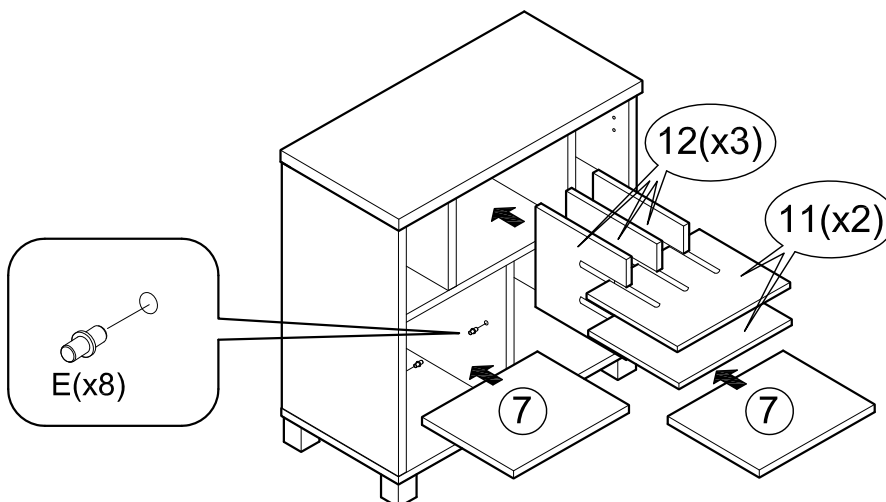
4



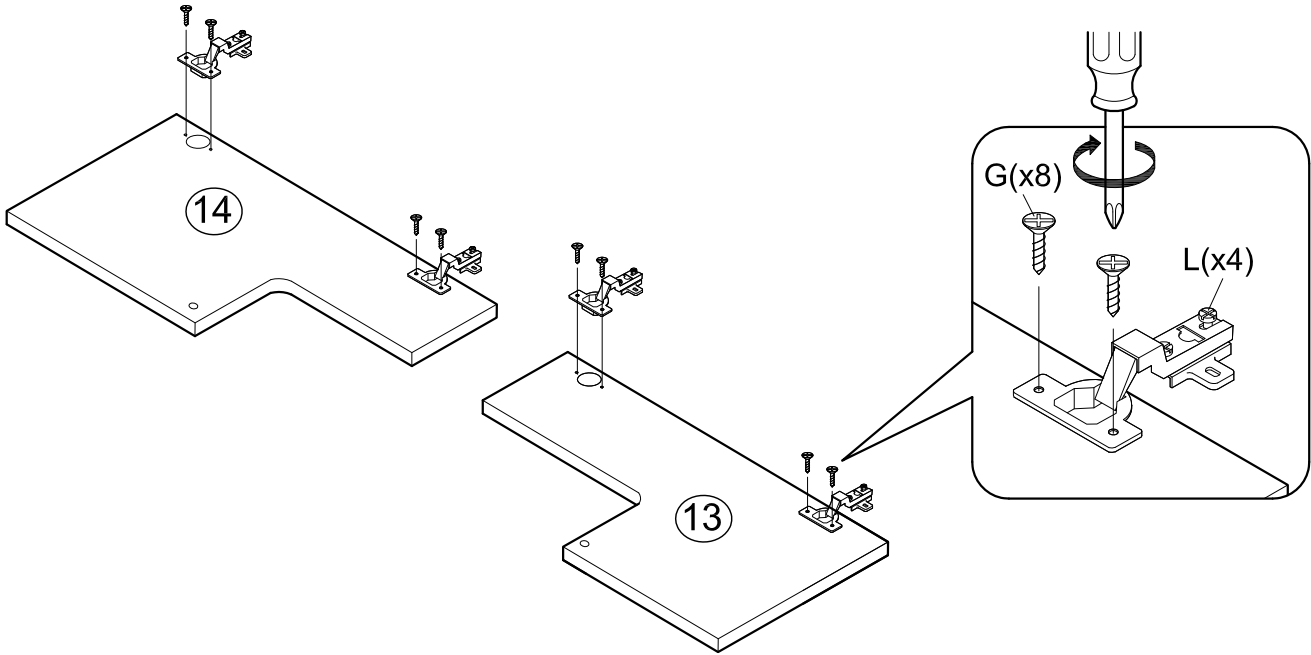
5



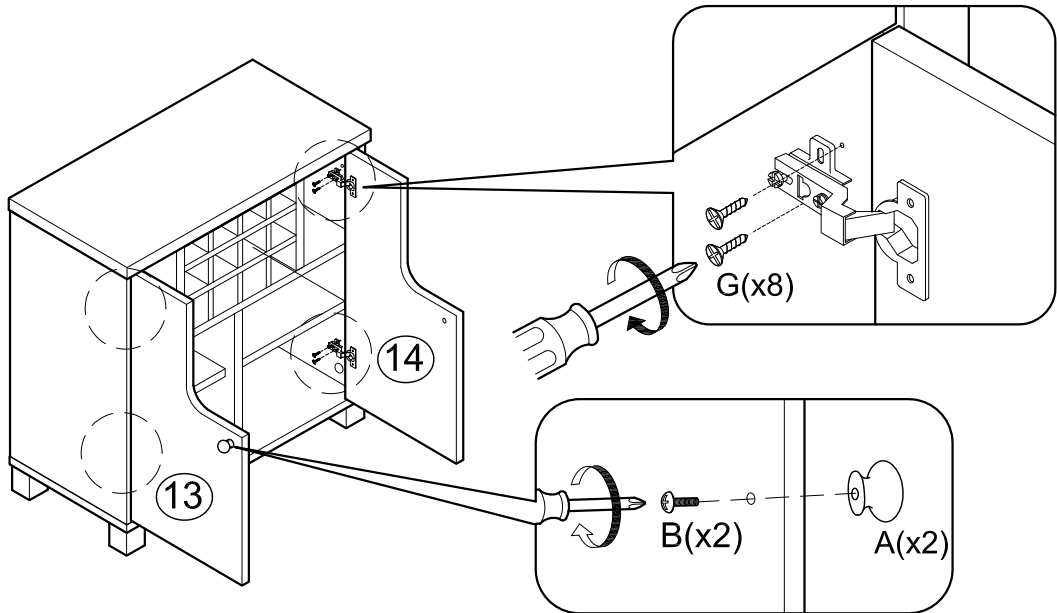
6



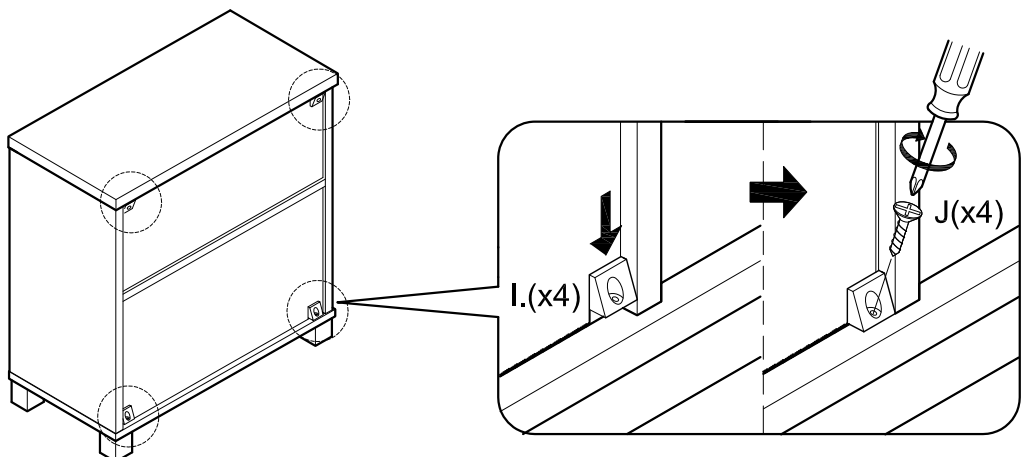
7



8

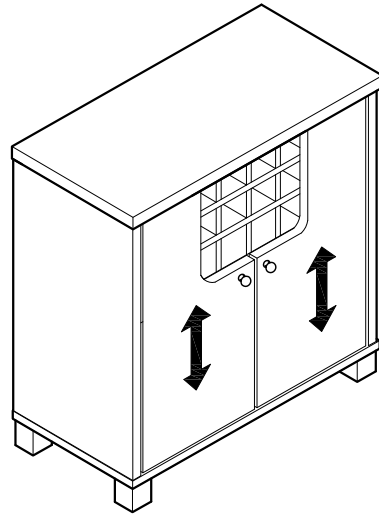
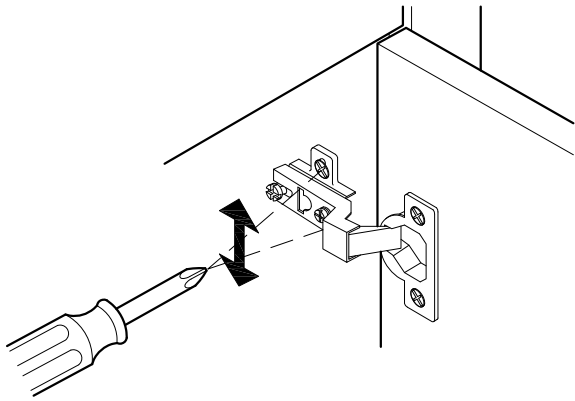


9

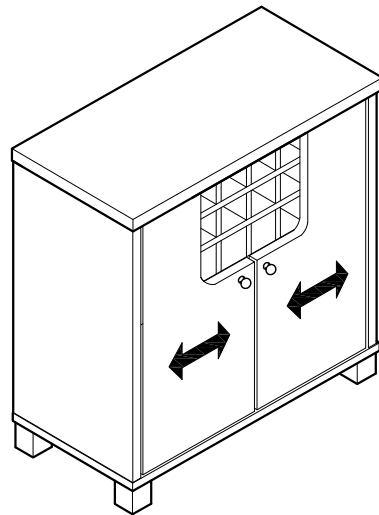
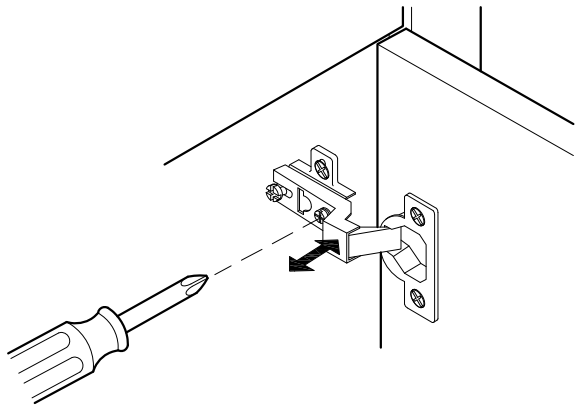


ADJUST THE HINGE TO MAKE THE DOOR EVEN

12



13



14

