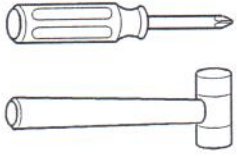


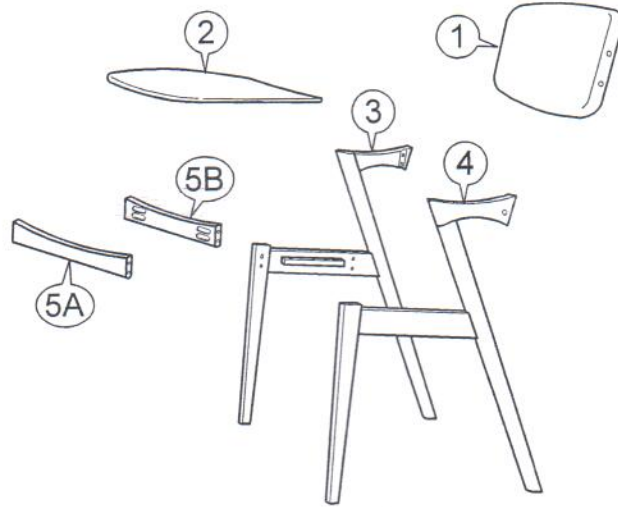
ASSEMBLY  
INSTRUCTIONS

ITEM : ELEGANT DINING CHAIR



Not Provided

Part List : (x2pcs)



HARDWARE LIST

A	M6 x 45mm = 20	C	M8 x 30mm = 4	E	M4 x 110mm = 1	G	= 8
B	5/16" = 16	D	M4 x 25mm = 8	F	14.5Ø = 4		

1

