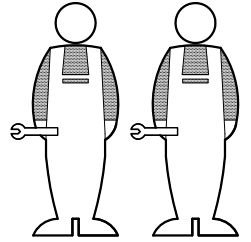
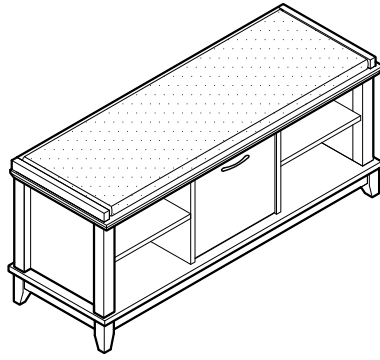
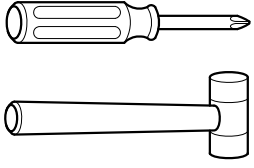


ASSEMBLY INSTRUCTIONS

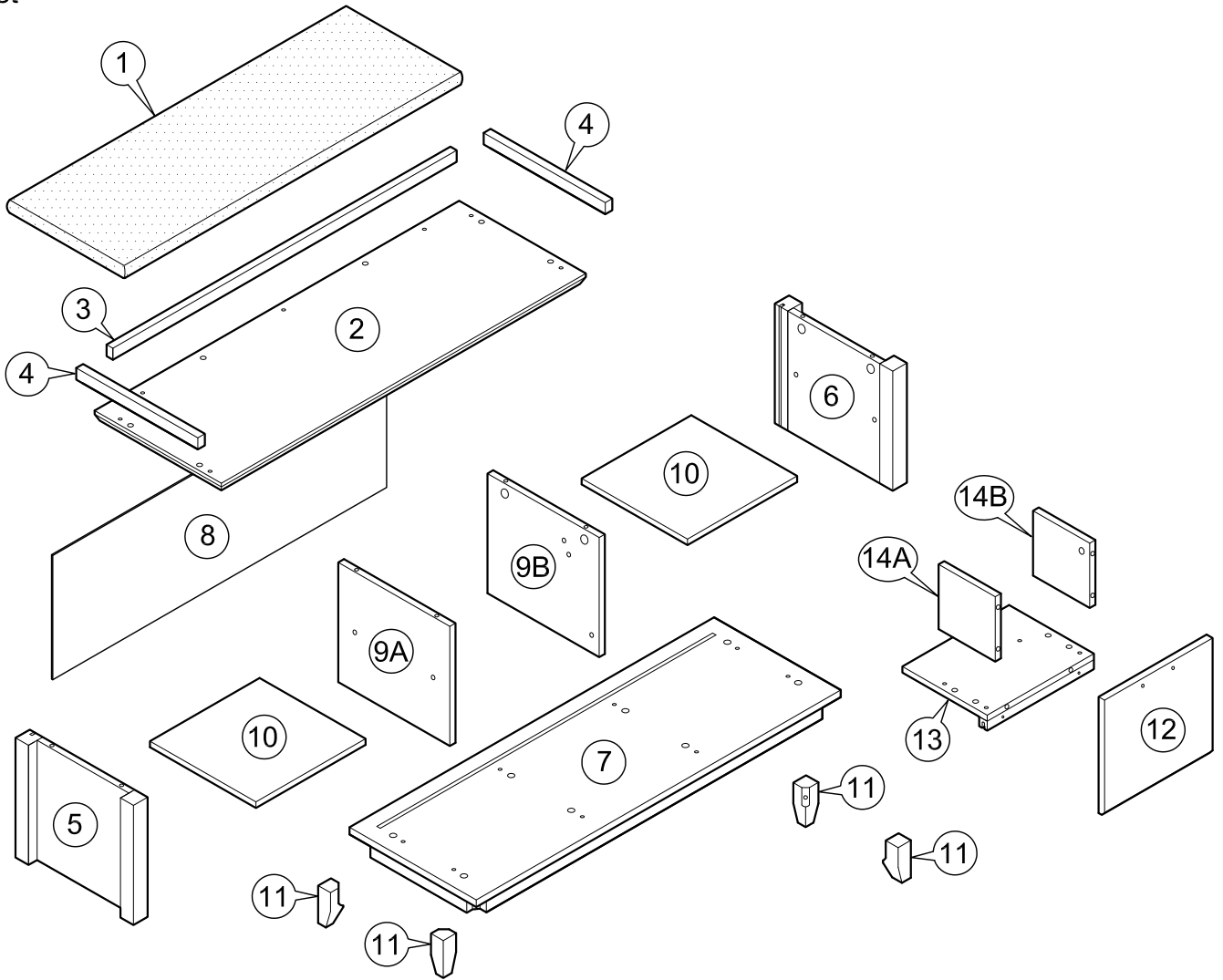
Item : Swiss Entryway Bench




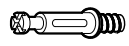


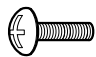



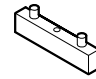
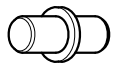




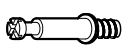
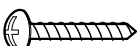

Not Provided

2 Persons

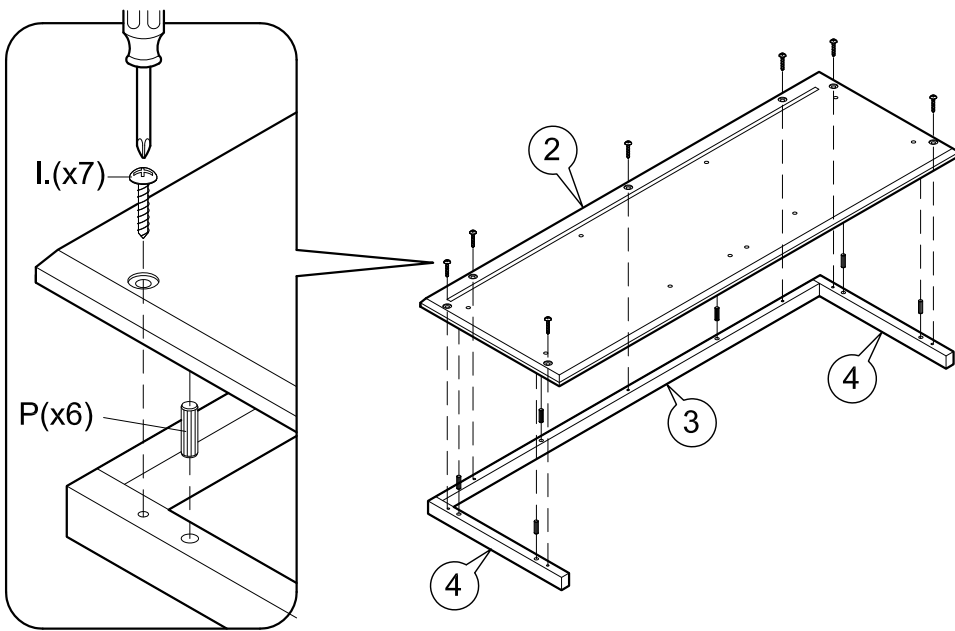
Part List



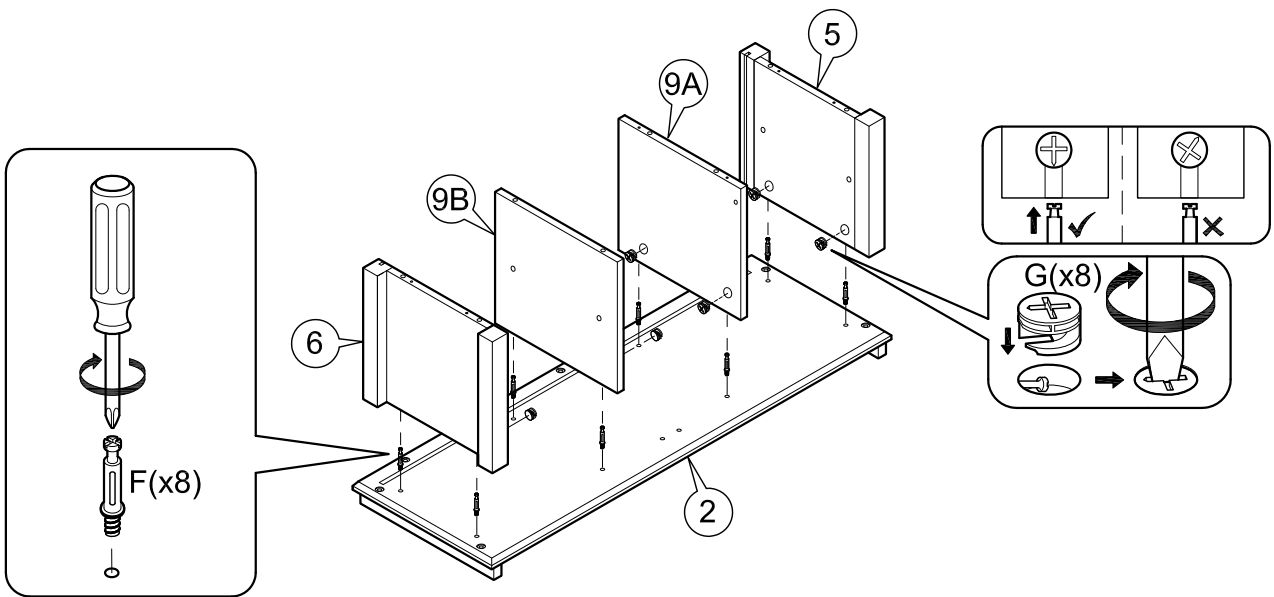
Hardware List

A	 = 1	F	 24mm = 10	K	 = 6	P	 M8 x30mm = 22
B	 20mm = 2	G	 9mm = 10	L	 M3 x 20mm = 6	Q	 = 1
C	 = 3	H	 = 8	M	 M6 x 60mm = 4		
D	 M3 x16mm(Black) = 3	I	 #8 x 1" = 17	N	 1/4" = 4		
E	 24mm = 2	J	 #8 x 1 1/4" = 4	O	 1/4" = 4		

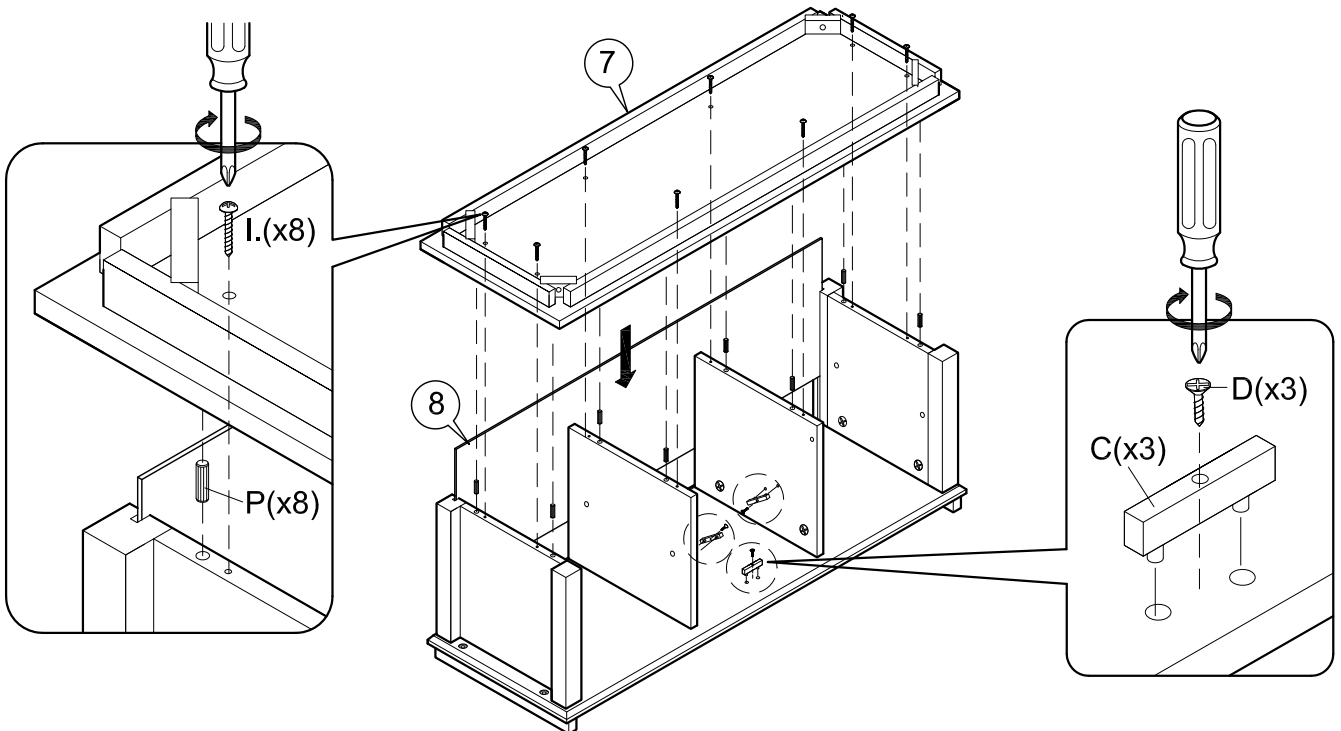
1



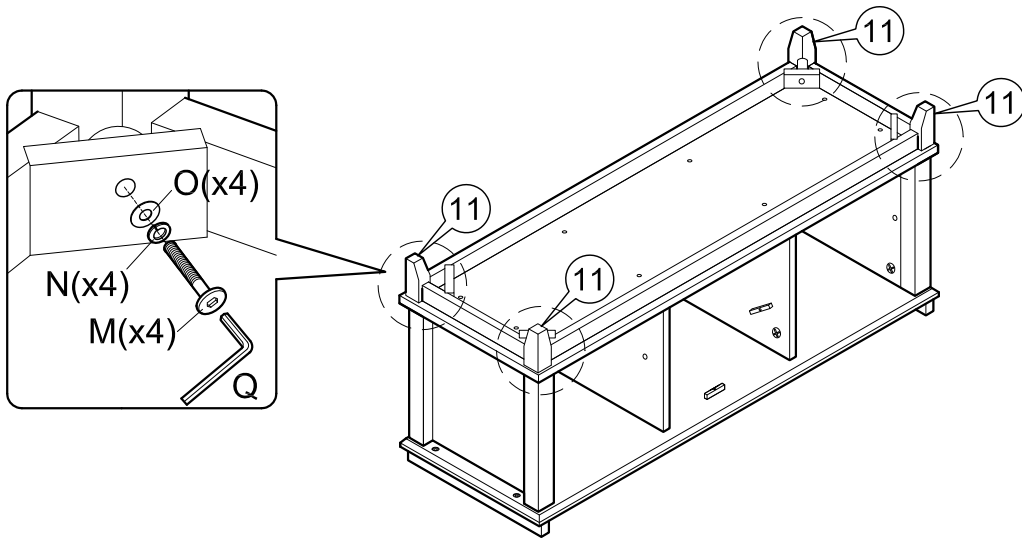
2



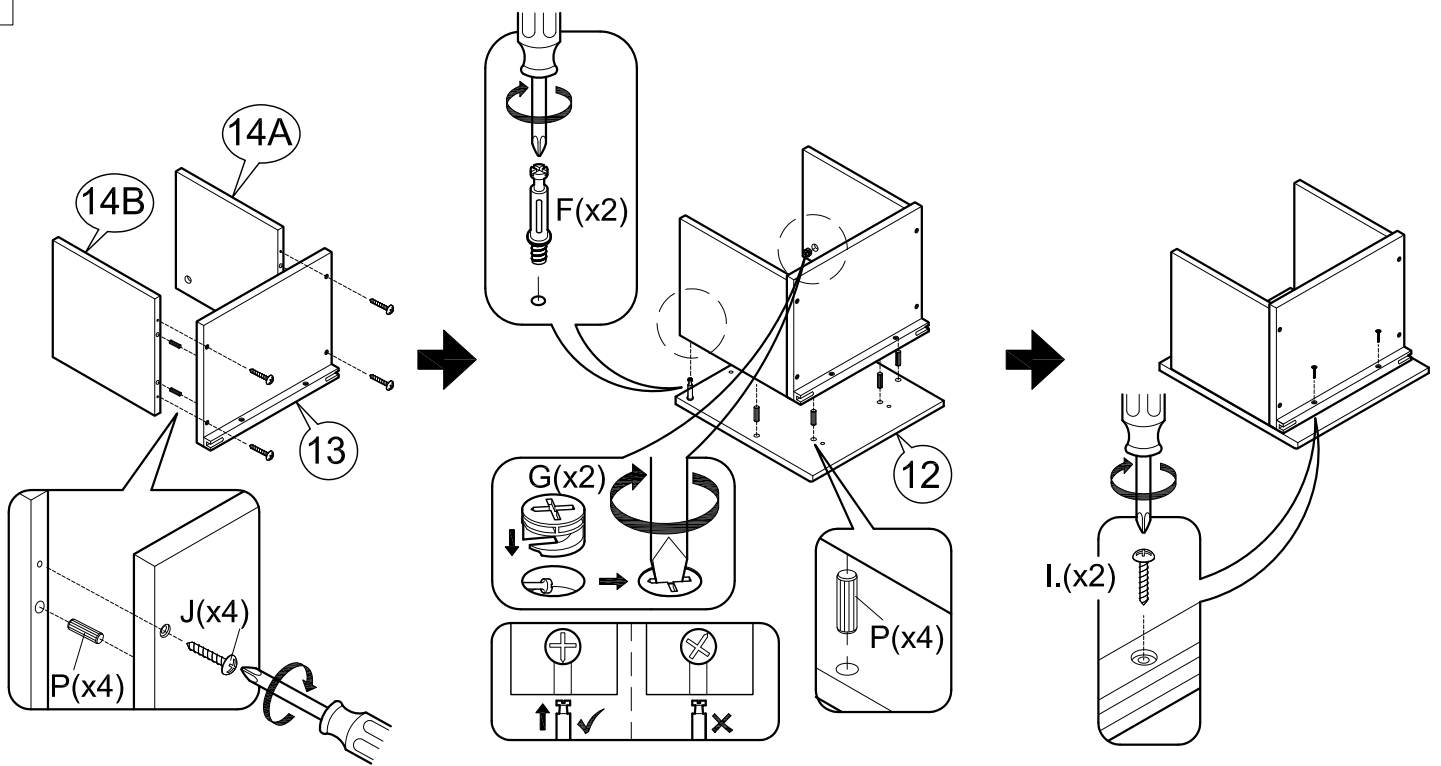
3



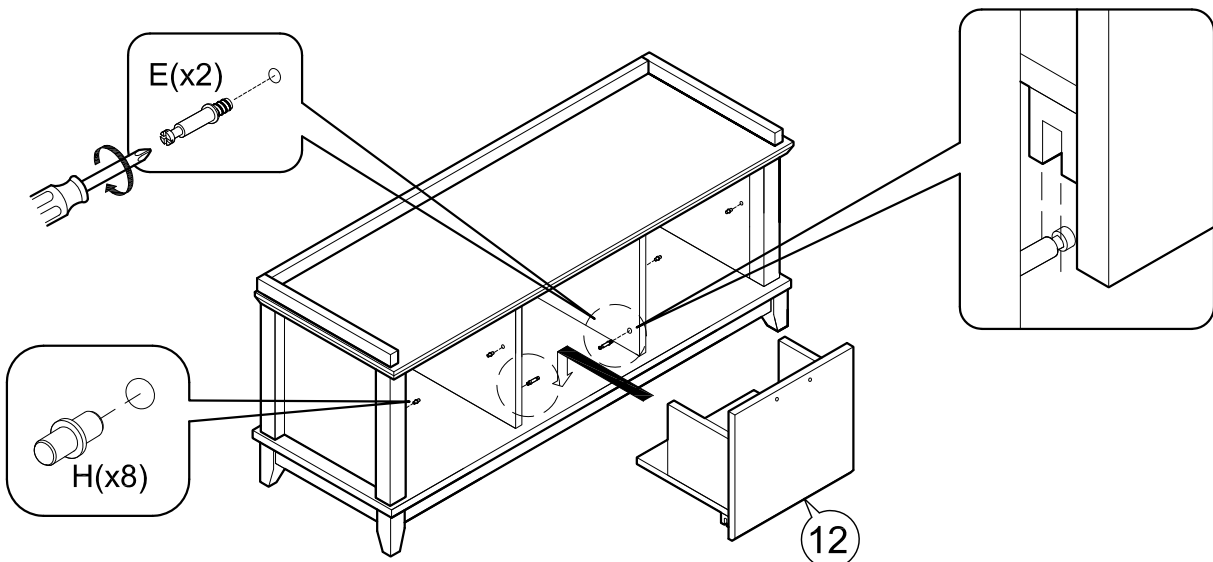
4



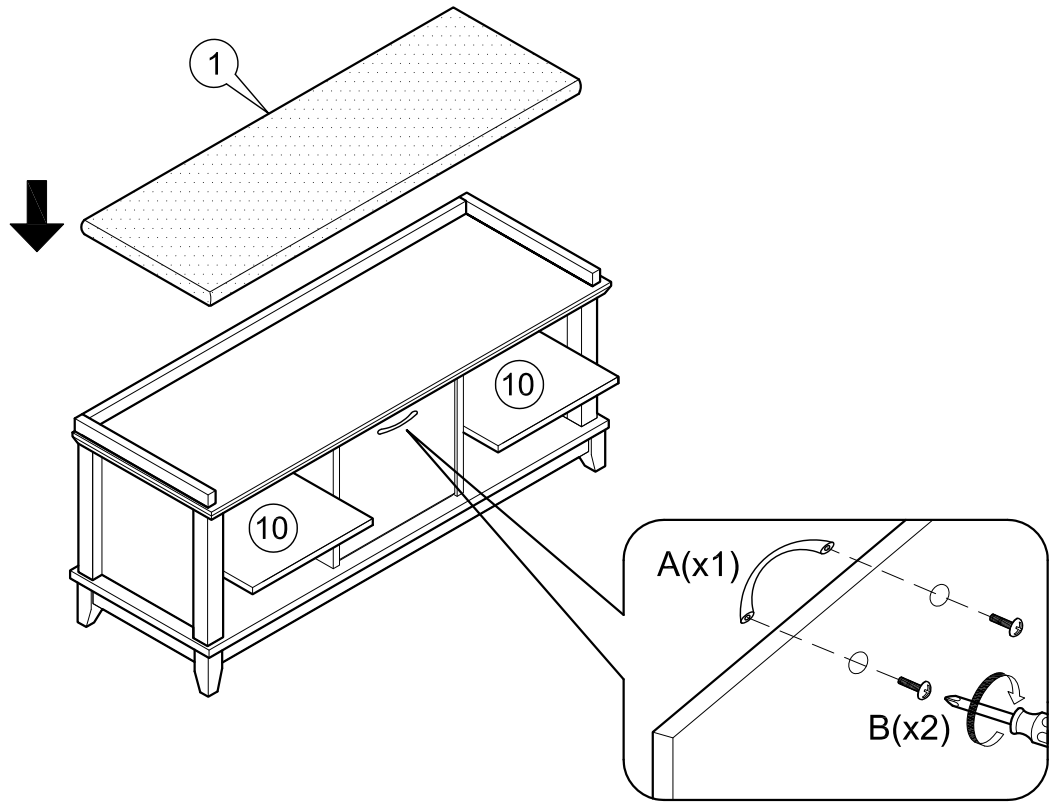
5



6



7



8

