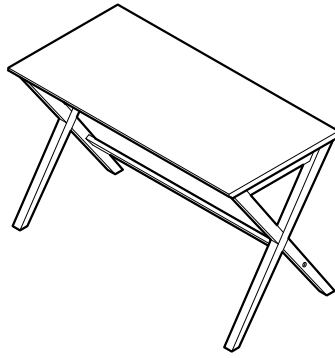
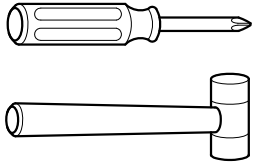
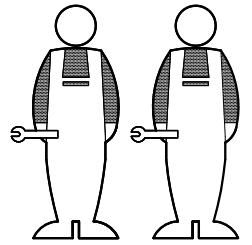


ASSEMBLY INSTRUCTIONS

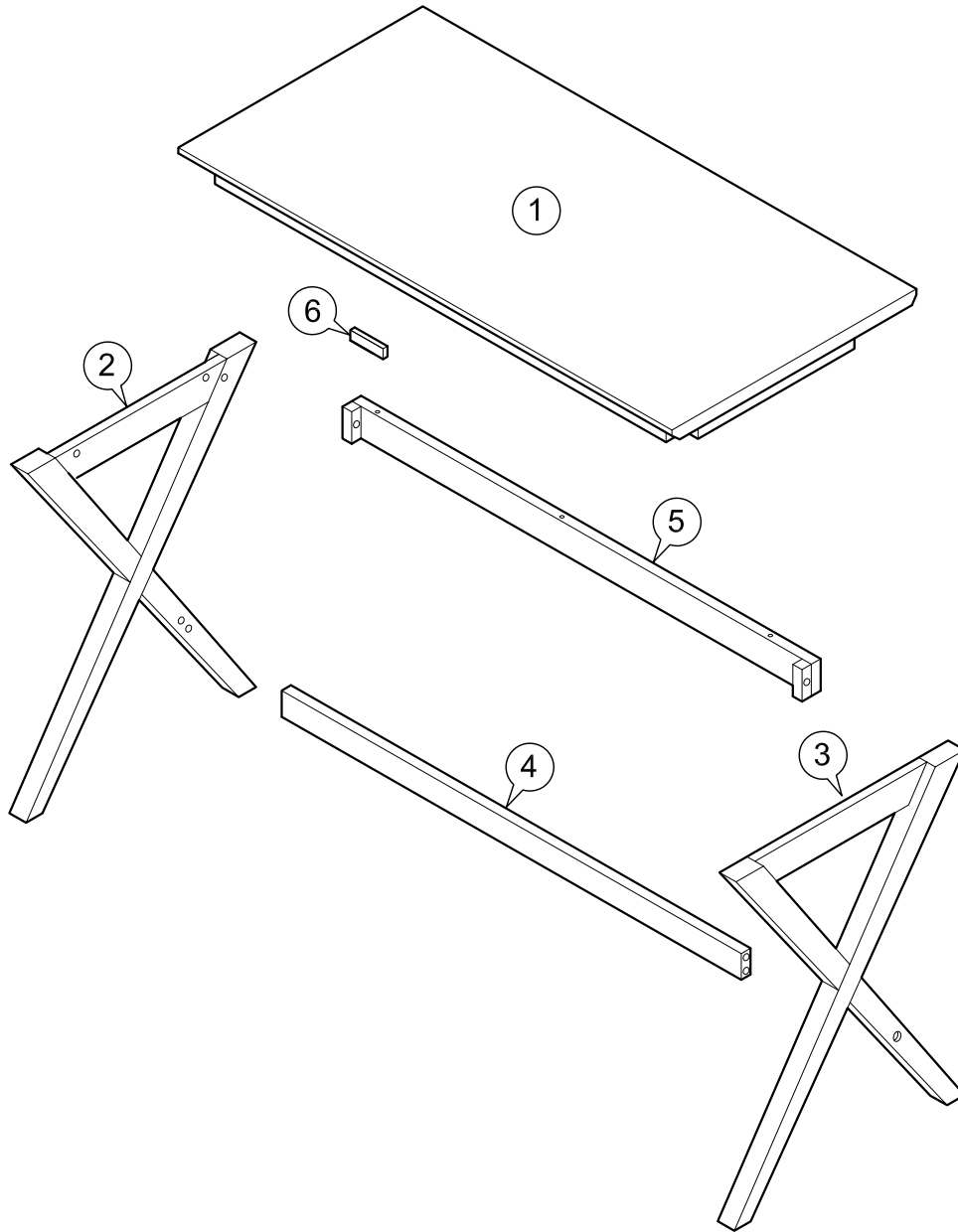
Item : Tulsa Writing Desk



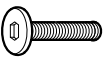


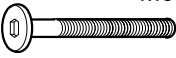


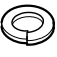


Not Provided

2 Persons

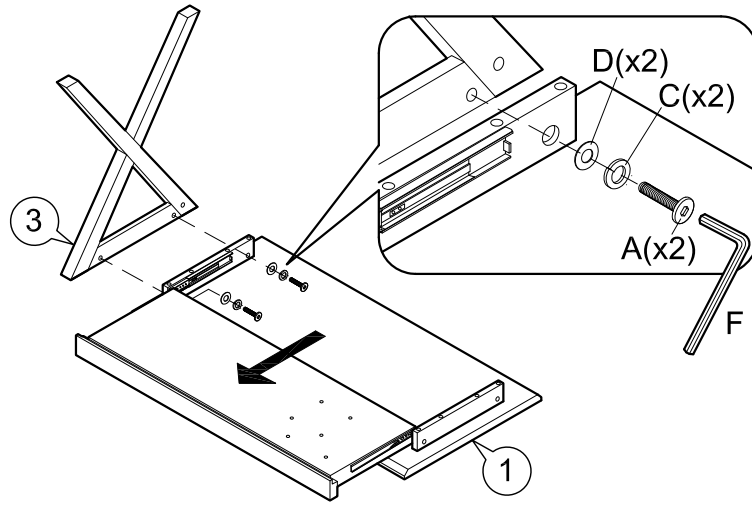
Part List



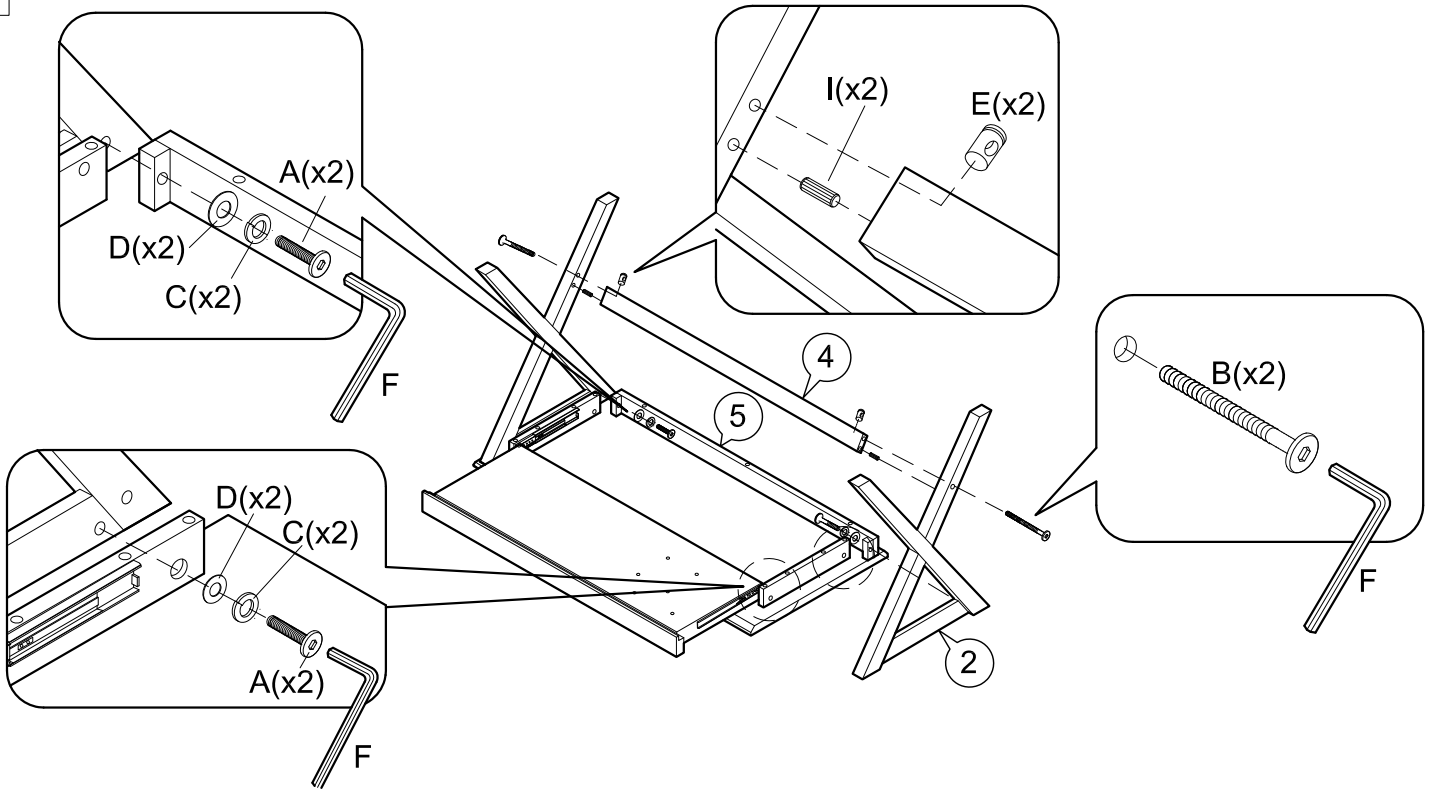
Hardware List

<p>A  M6 x 35mm = 6</p>	<p>D  M6 x13mm = 6</p>	<p>G  14.5Ø = 2</p>
<p>B  M6 x70mm = 2</p>	<p>E  M6 x13mm = 2</p>	<p>H  M4 x 38mm = 3</p>
<p>C  1/4" = 6</p>	<p>F  = 1</p>	<p>I  M8 x30mm = 2</p>

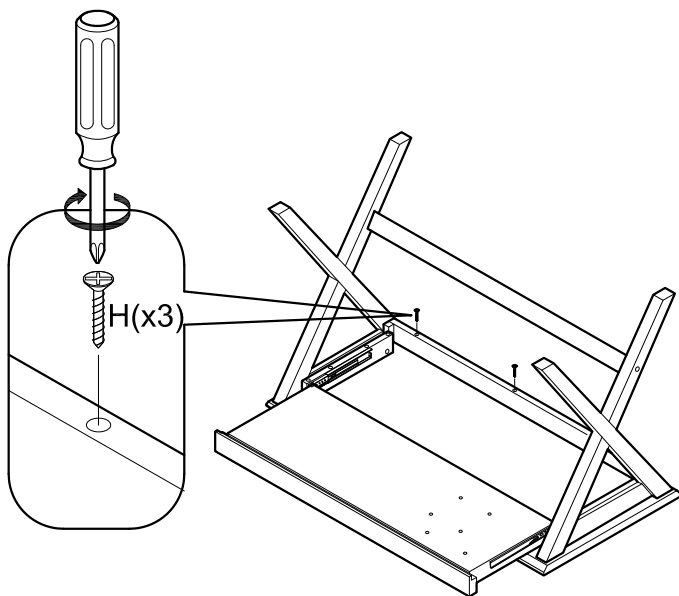
1



2



3



4

