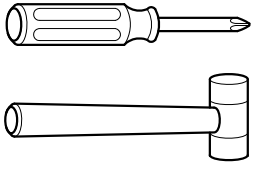
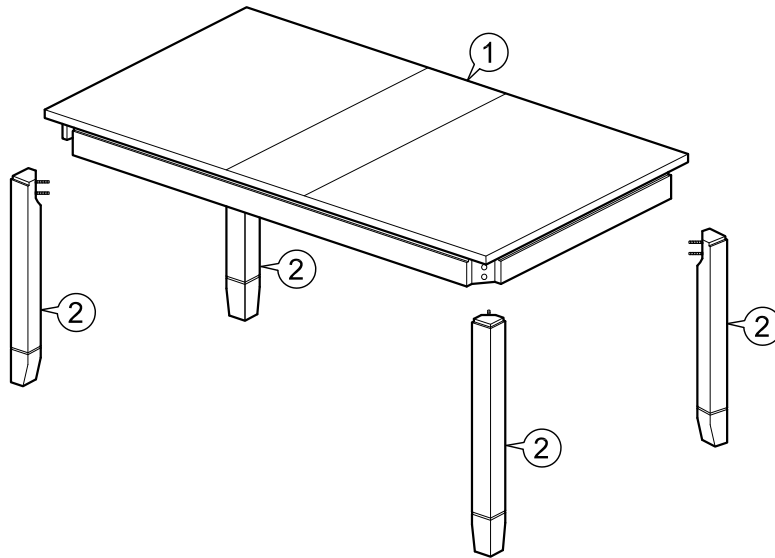
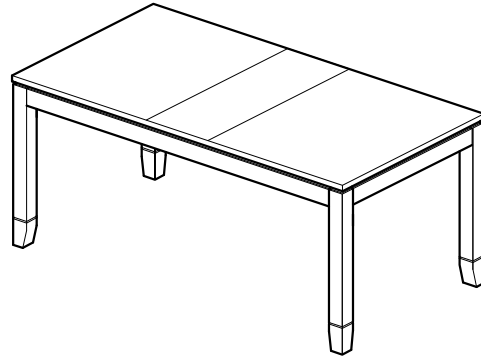



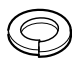

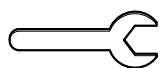
ASSEMBLY
INSTRUCTIONS

Item : 38" x 66" Victoria Extension Dining Table (12" Leaf)



Not Provided



A		5/16" = 8	B		5/16" = 8	C		5/16" = 8	D		= 1
---	---	-----------	---	---	-----------	---	---	-----------	---	---	-----

