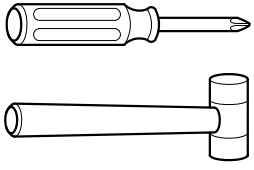
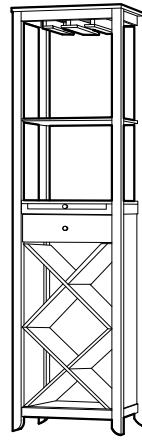
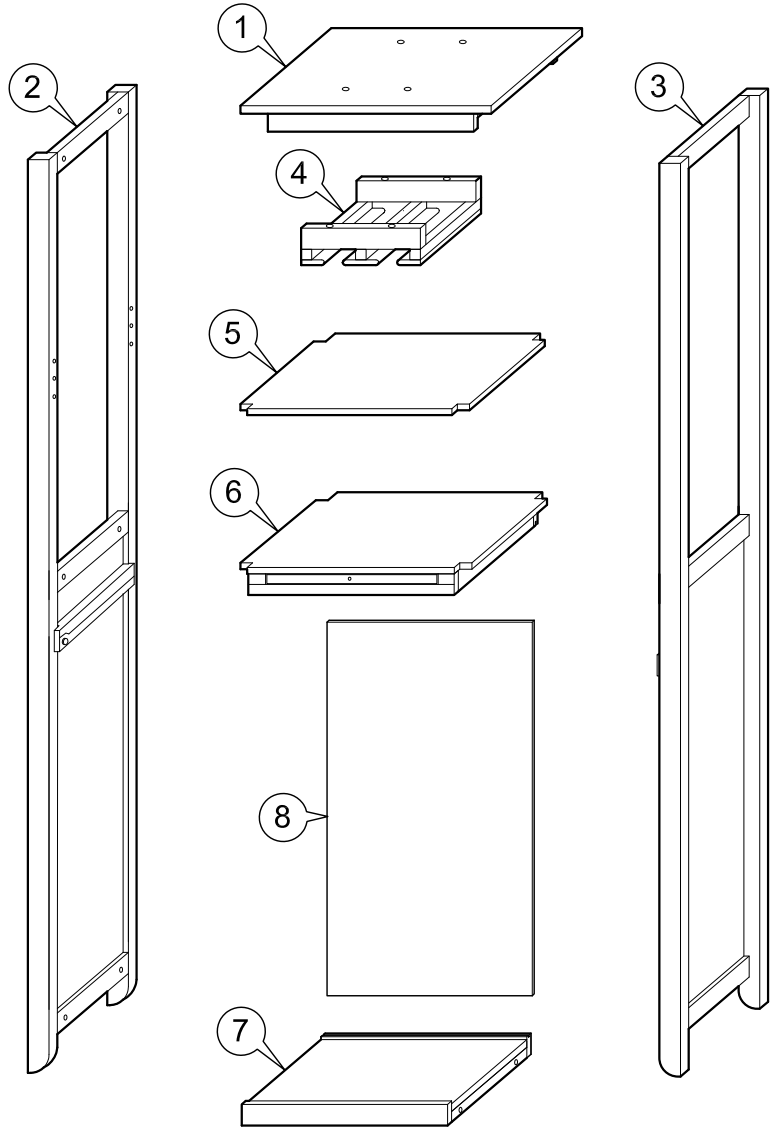
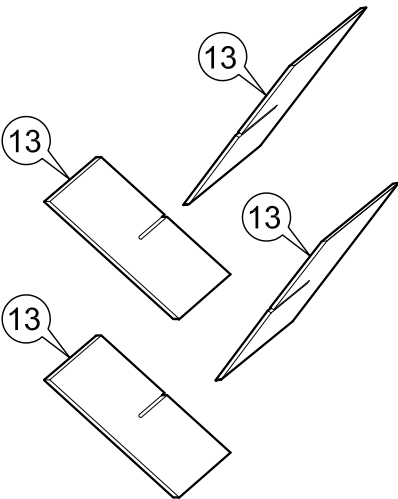
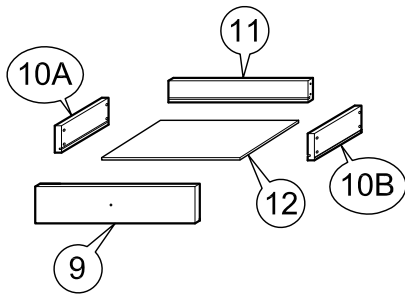


ASSEMBLY INSTRUCTIONS

Item : Austin Wine Tower



Not Provided



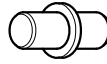
A M6 x 30mm = 12



D M6 x 13mm = 16



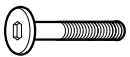
G = 4



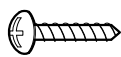
K 16mm = 1



B M6 x 40mm = 4



E Pan Head #8 x 1 1/4" = 8



H = 2



L = 1



C 1/4" = 12



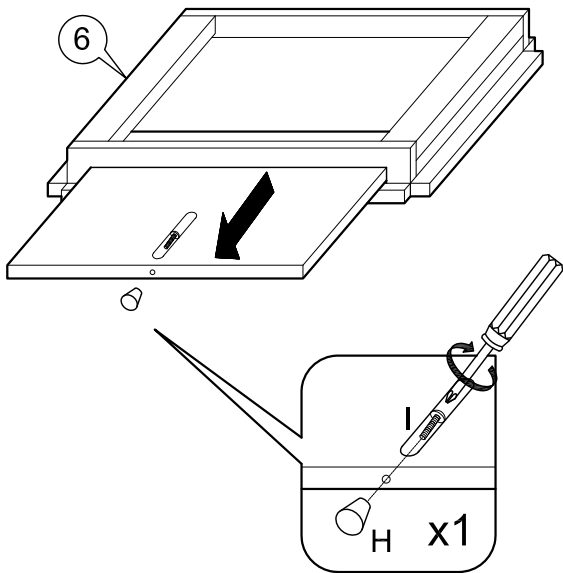
F = 1



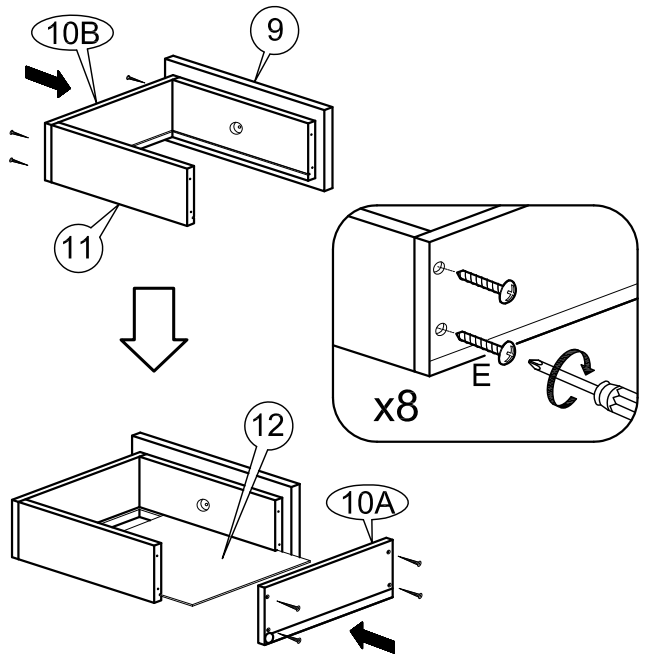
I 20mm = 2



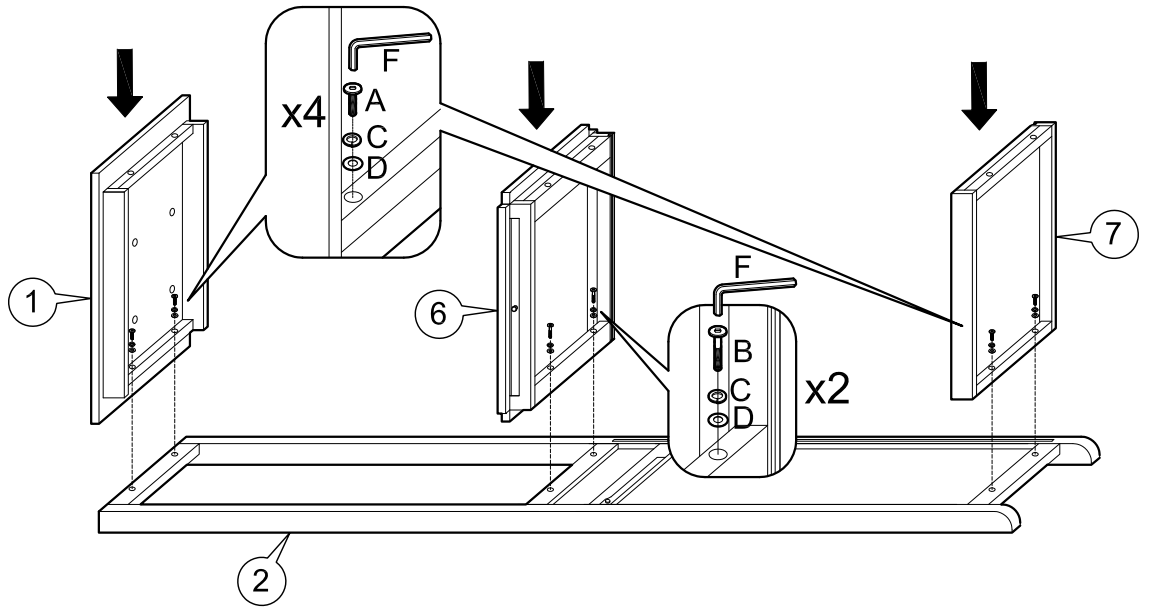
1



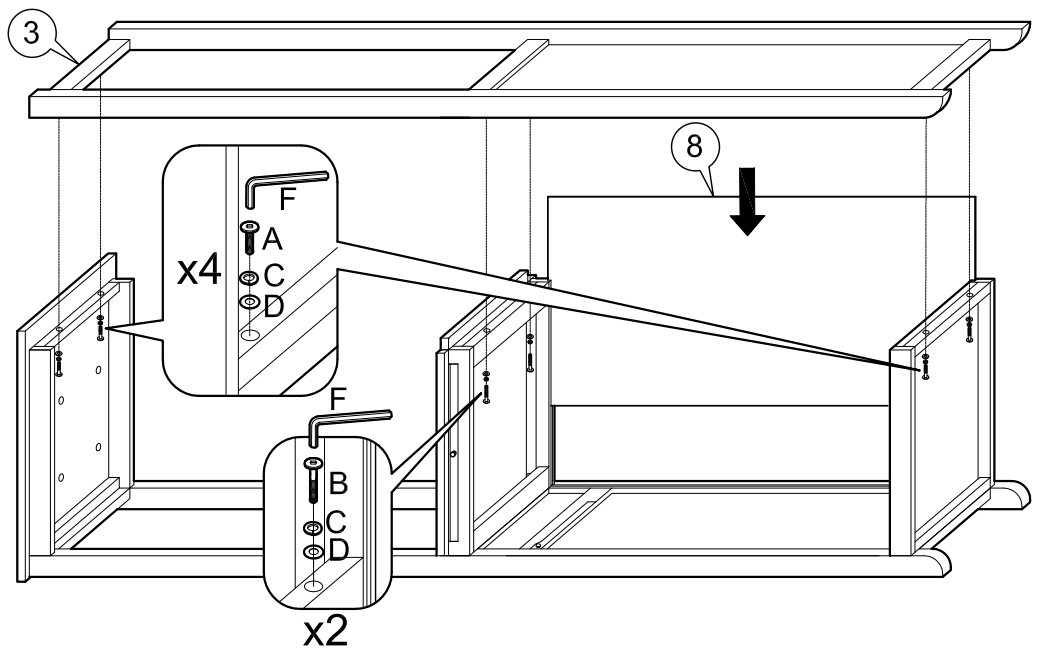
2



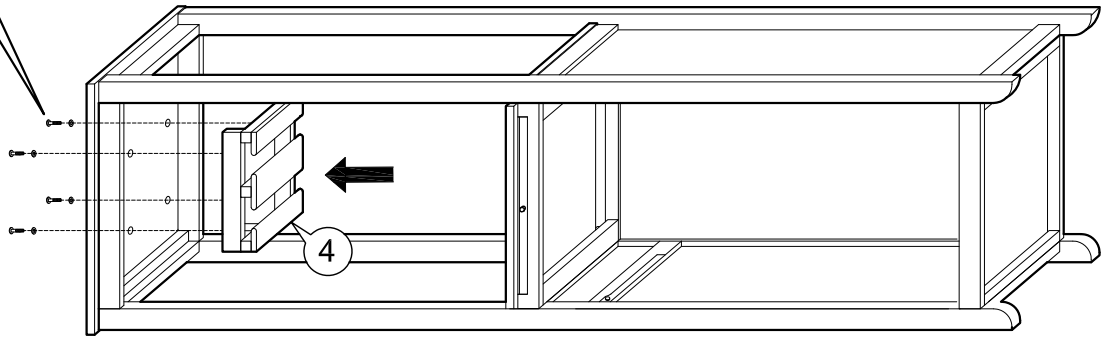
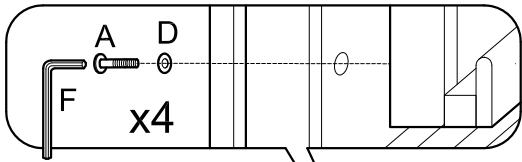
3



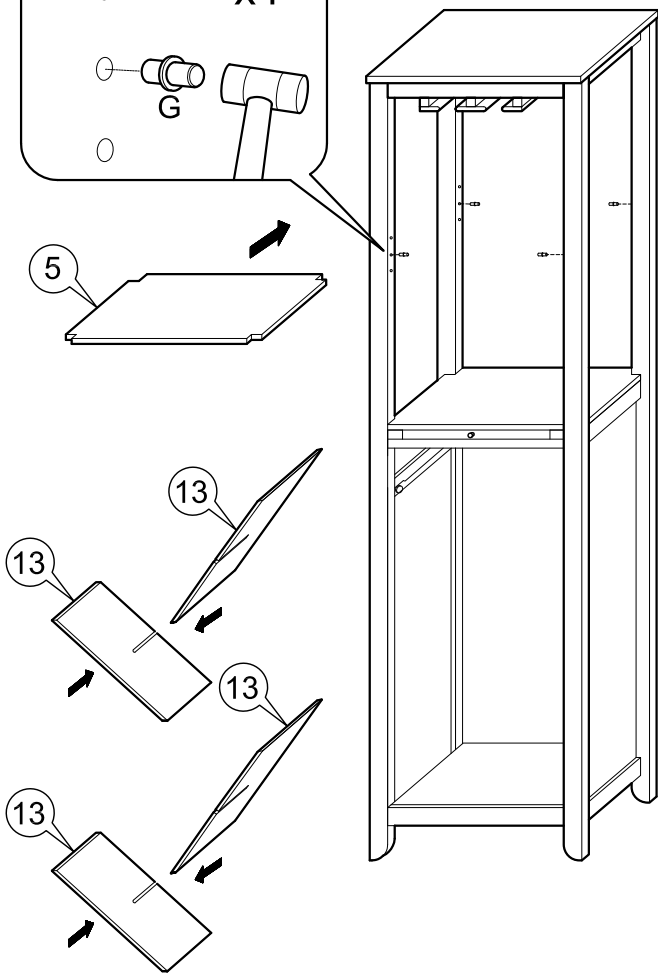
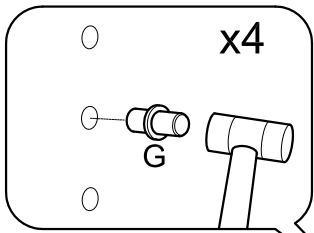
4



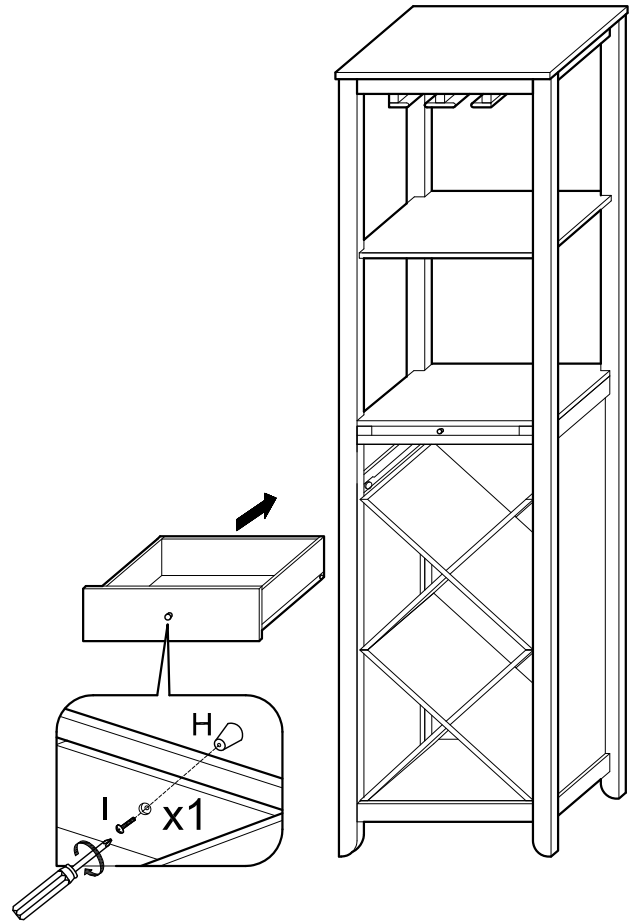
5



6



7

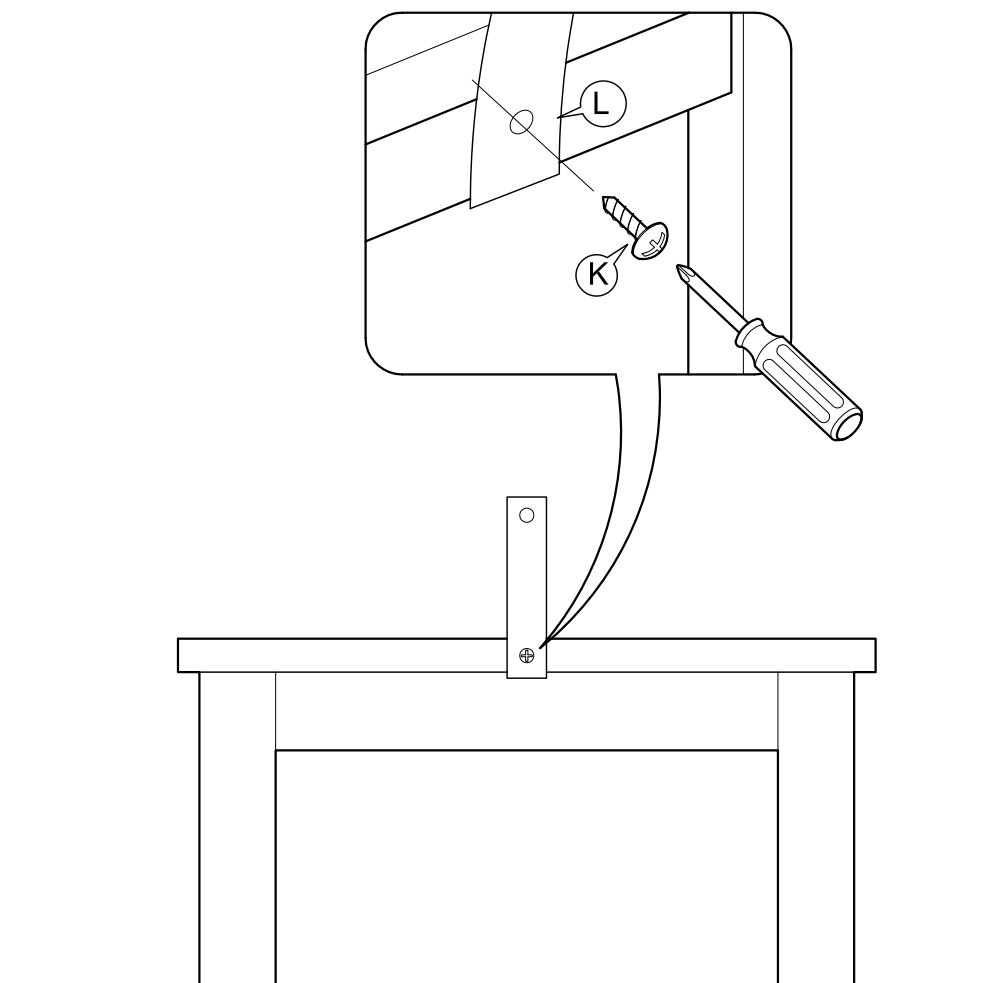


HOW TO FIT SAFETY STRAP

ADD SAFETY STRAP (L) TO BACK OF WINE RACK USING SCREW (K) (PROVIDED) AS SHOWN.

SECURE OPPOSITE END OF SAFETY STRAP TO WALL USING APPROPRIATE SCREW/PLUG FOR TYPE OF WALL (NOT PROVIDED).

PHILIPS HEAD SCREWDRIVER TOOL REQUIRED



BACK VIEW