






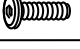
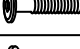
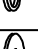
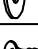
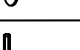

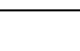


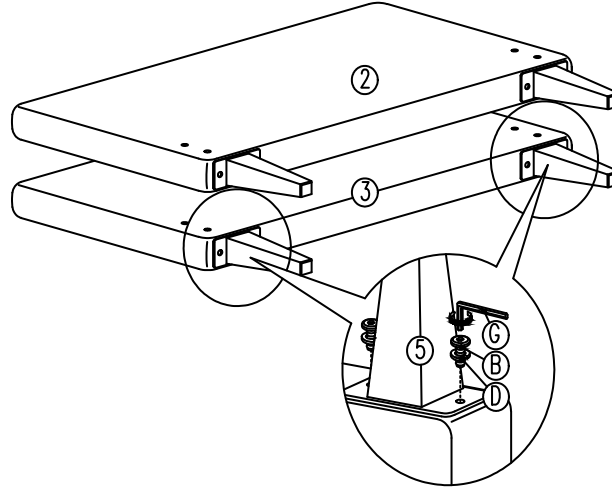
# ASSEMBLY INSTRUCTION

ITEM : PACKER DAYBED

NO	PART LIST	QTY
1	 BACK PANEL	1PC
2	 RIGHT ARM	1PC
3	 LEFT ARM	1PC
4	 FRONT RAIL	1PC
5	 LEGS	4PCS
6	 SLATS	2PCS
NO	HARDWARE LIST	QTY
A	 JCBC SCREW M8 x 20MM	8PCS
B	 JCBC SCREW M6 x 25MM	8PCS
C	 JCBC SCREW M6 x 50MM	2PCS
D	 SPRING WASHERS	10PCS
E	 FLAT WASHERS	2PCS
F	 SCREW M4 x 32MM	8PCS
G	 L-KEY M4 x 65MM	1PC
H	 L-KEY M5 x 65MM	1PC

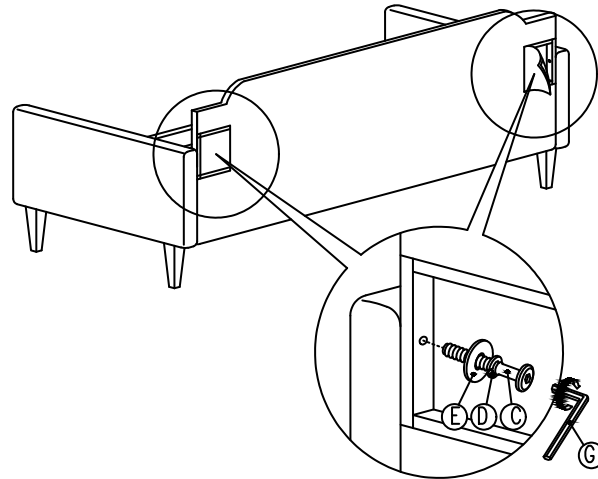
## STEP 1

Begin assembly by attaching each leg (5) to the bottom of right arm (2) & left arm (3) by securing with 2 Allen Bolts (B) , 2 spring washer (D) per leg using L-key (G).



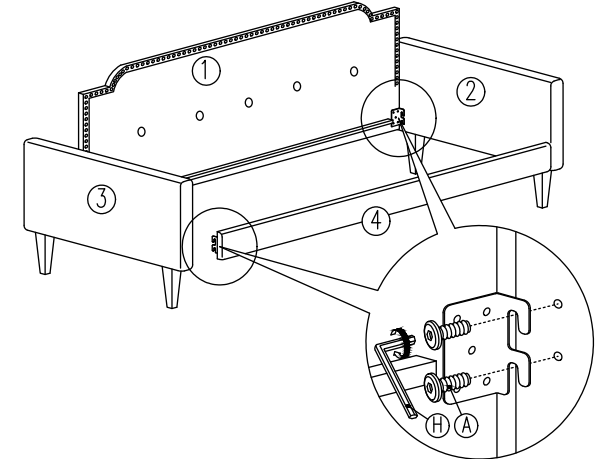
## STEP 3

Securing with 1 Allen Bolt (C) , 1 spring washer (D) , 1 flat washer (E) each side of back panel by using L-key (G).



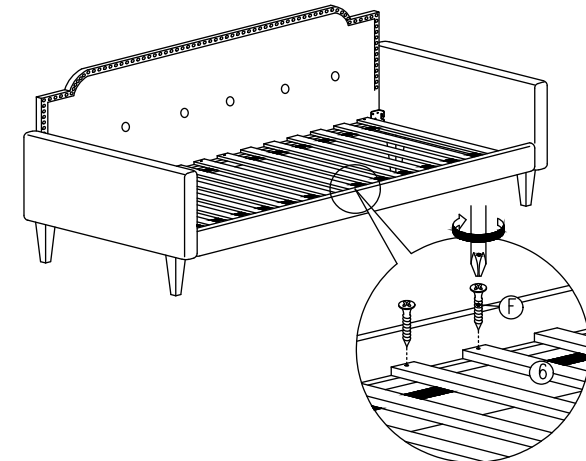
## STEP 2

Attach the front rail (4) and back panel (1) to the right arm (2) and left arm (3). Aligning the holes and securing with 2 Allen Bolts (A) per each end by using L-key (H).  
(DO NOT FULLY TIGHTEN BOLTS FOR THIS STEP)



## STEP 4

Tighten all Bolts on step 2 by using the L-key (H) following step 3 using L-key (G) that has been provided. Attach slats (6) to front rail (4) and back panel (1) by unrolling and securing with 2 screws (F) per each side.  
Tighten all screws using philips head screwdriver (NOT INCLUDED)



ASSEMBLY  
COMPLETED

NOTE : AFTER A FEW DAYS OF ASSEMBLY , IT WILL HAVE ACCLIMATIZED TO THE ENVIRONMENT. PLEASE TIGHTEN ALL HARDWARE. CHECK TIGHTNESS OF ALL SCREWS EVERY 6 - 8 WEEKS.