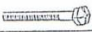



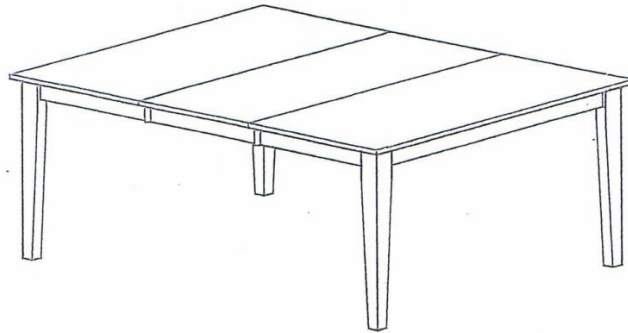


ASSEMBLY INSTRUCTIONS

MODEL : PCH 3565-(LT18)(CDP) / PCH 5454 (LT18)(CDP)-36 TABLE

Before you begin, Please follow Assembly Instruction carefully . Then follow them step by step.

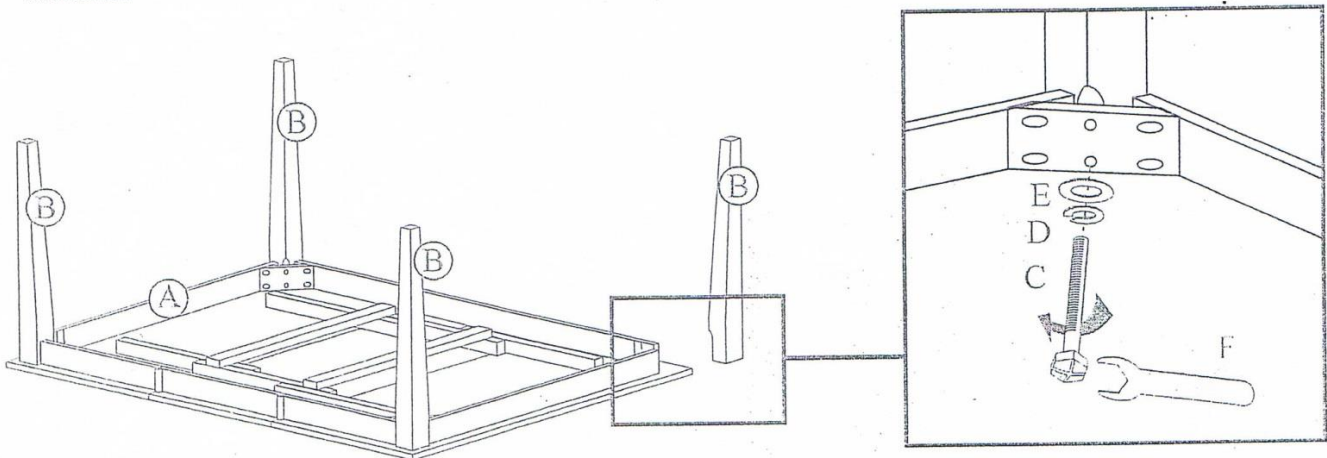
PART LIST		
A	TABLE TOP	1 PC
B	TABLE LEG	4 PCS
HARDWARE LIST		
C	HEX BOLT 	8 PCS
D	SPRING WASHER 	8 PCS
E	FLAT WASHER 	8 PCS
F	WRENCH 	1 PC



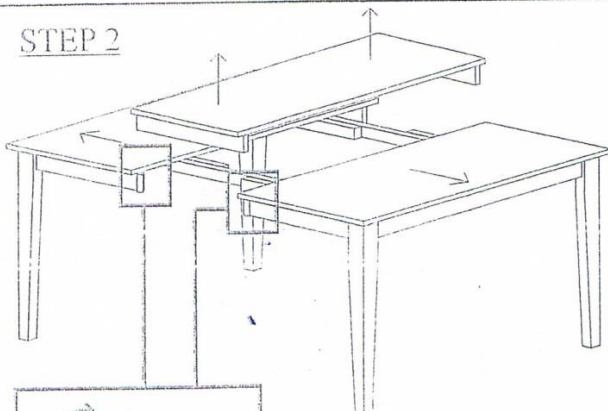
IMPORTANT NOTE : PLACE ALL WOODEN PARTS ON A CLEAN AND SMOOTH SURFACE SUCH AS A RUG OR CARPET TO AVOID THE PARTS FROM BEING SCRATCHED.

FIX THE TABLE LEGS (B) TO THE CORNER BLOCK WITH ALLEN BOLT (C) , SPRING WASHER (D) & FLAT WASHER (E). THEN TIGHTEN THE ALLEN BOLT (C) BY USING THE ALLEN KEY.

STEP 1

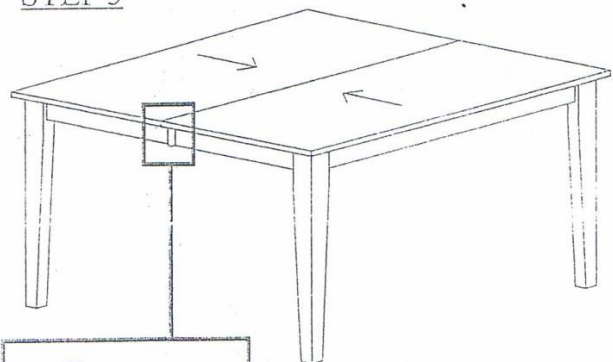


STEP 2



TO UNLOCK

STEP 3



TO LOCK