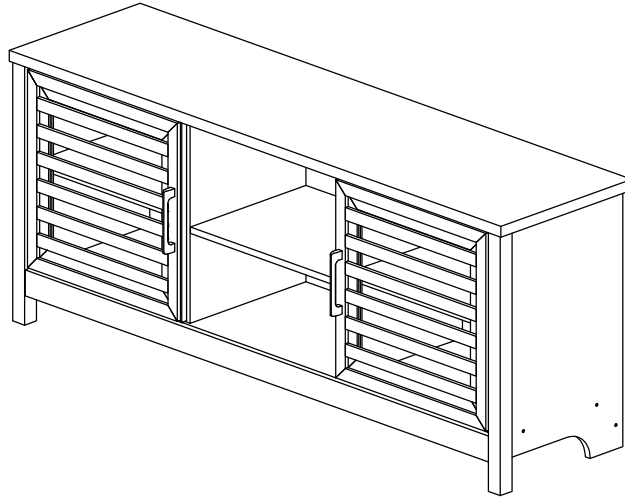
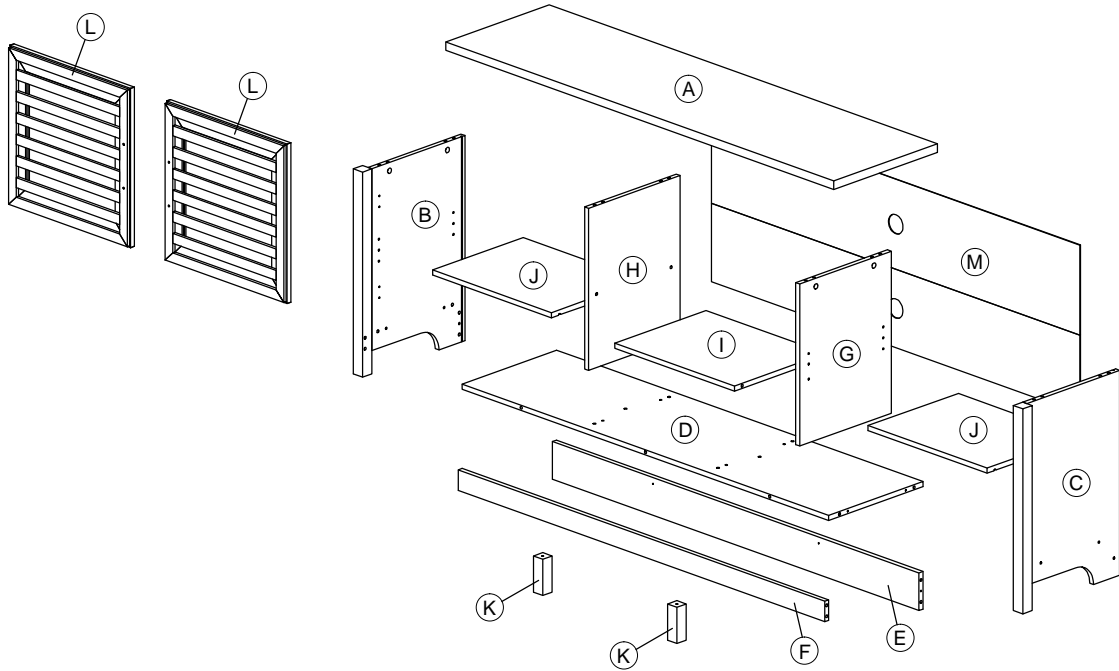


# Assembly Instruction

Model : WI8017



## PART LIST



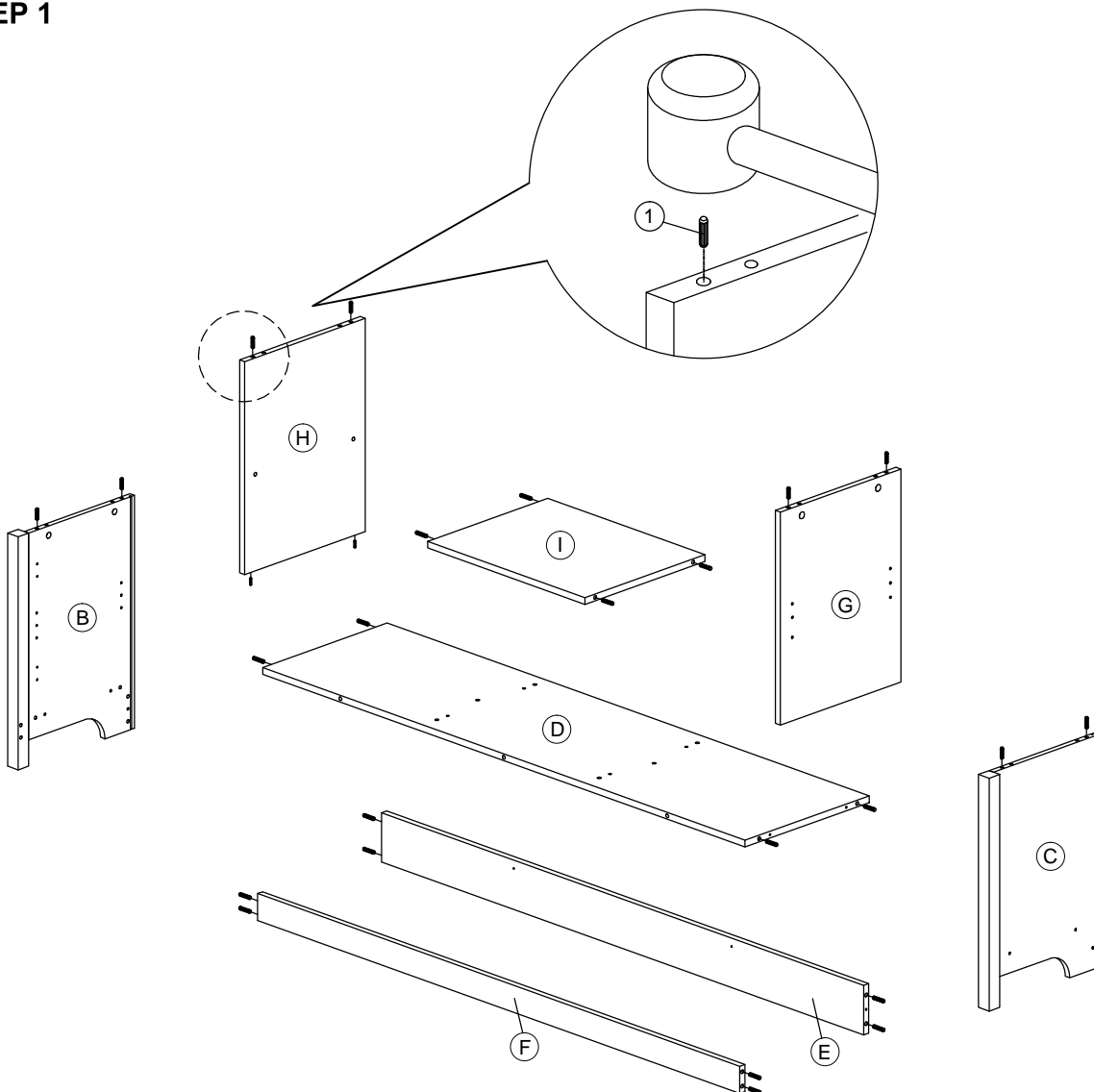
# Assembly Instruction

## Hardware List

No.	SHAPE	DESCRIPTION	Qty.
1		8x25mm Wood Dowel	31Pcs
2		15MM Myfix Minifix	8Sets
3		TP 10#x1/2" Screw	16Pcs
4		M3x16mm Screw	4Pcs
5		M3.5x15mm Screw	10Pcs
6		Adjust Screw	2 Pcs
7		M5x38mm Screw	10Pcs
8		Jcbc 'W' M6 x 40mm	2Pcs
9		L Bracket	5 Pcs

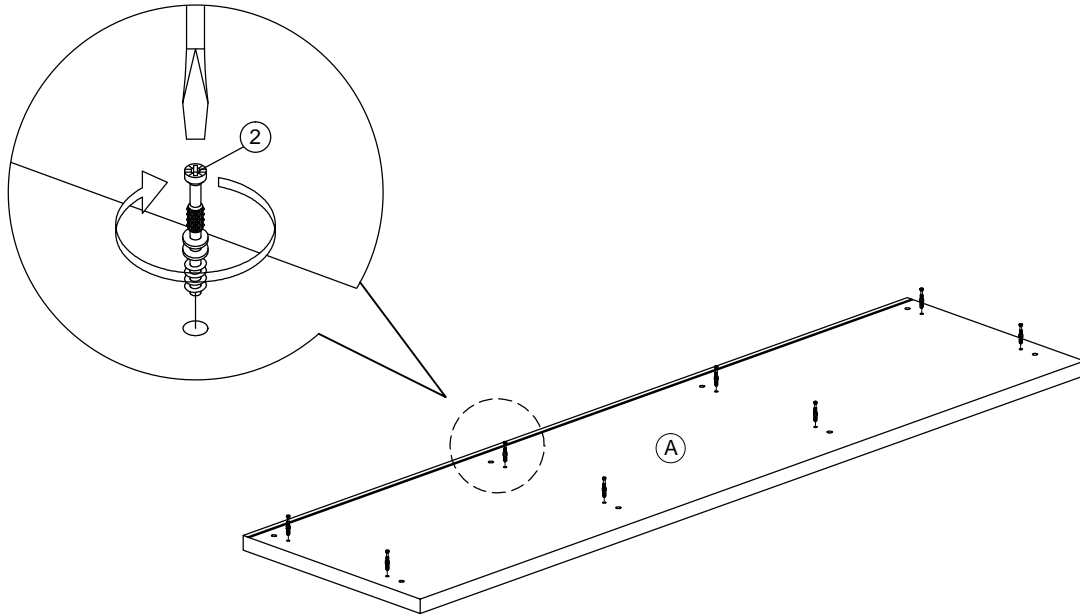
10		Hinges (F010)	4Sets
11		Handle OS-118-128mm (Gold) M3.6x34mm Handle Screw	2Sets
12		Z Bracket (Big)	2Pcs
13		Nail	19Pcs
14		L Key	1 Pc
15		Nail Leg	5Pcs
16		Minifix Cap	8Pcs
17		Shelf Support	8Pcs
18		Screw Cap	6Pcs

## STEP 1

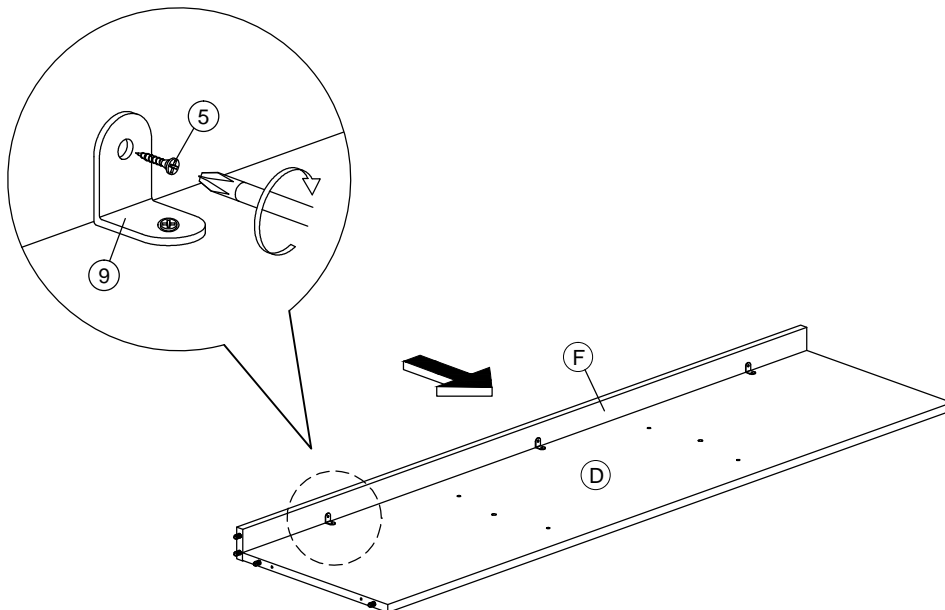


# Assembly Instruction

## STEP 2

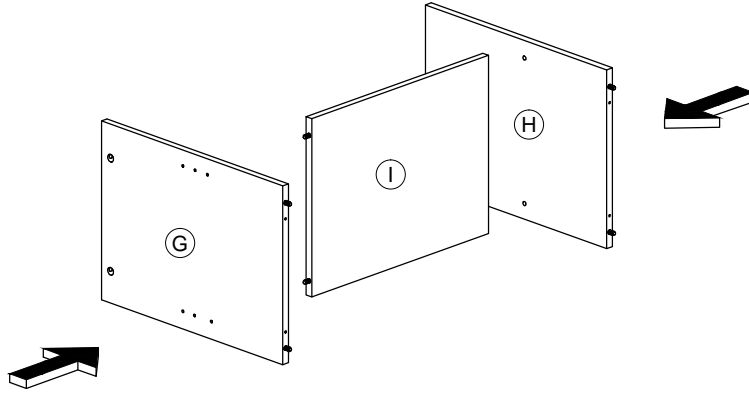


## STEP 3

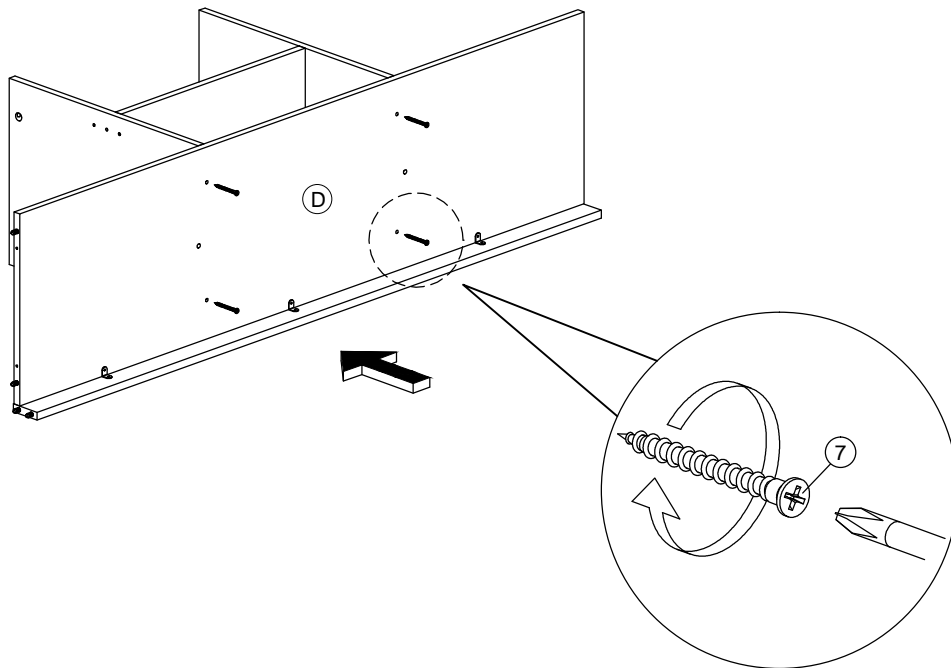


# Assembly Instruction

## STEP 4

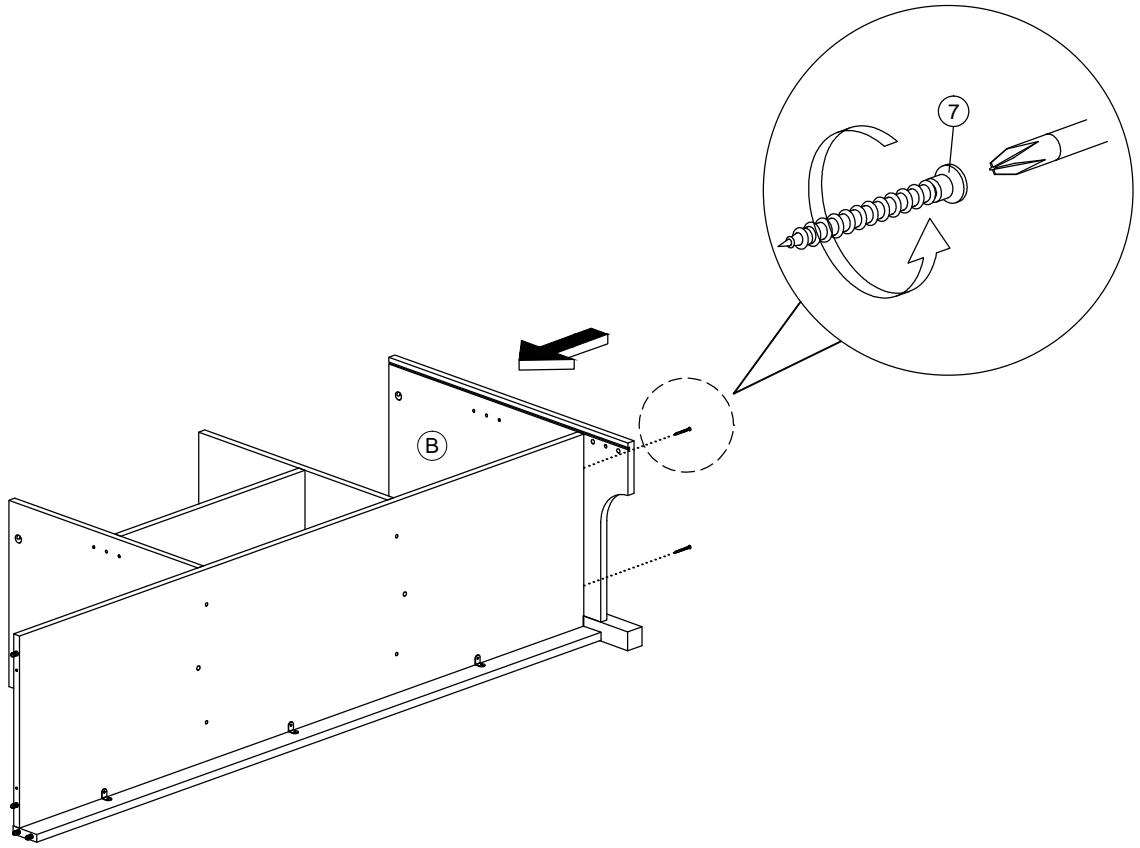


## STEP 5

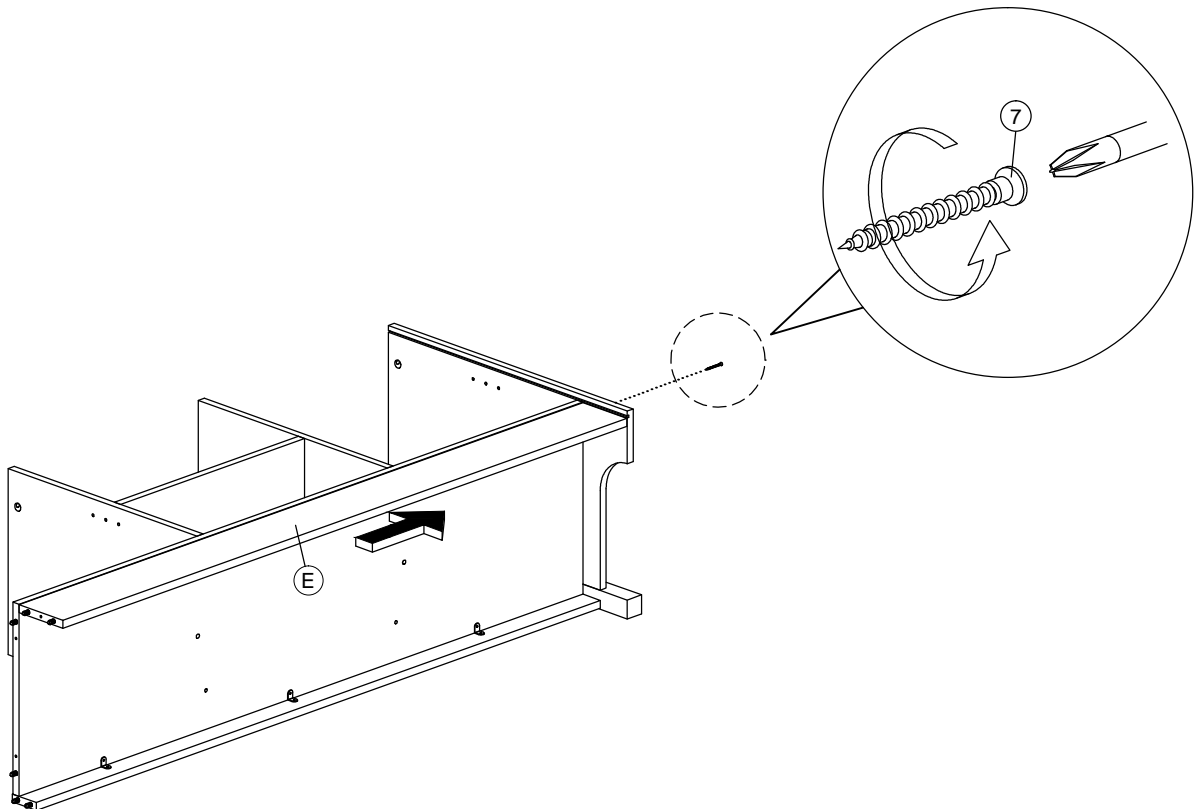


# Assembly Instruction

## STEP 6

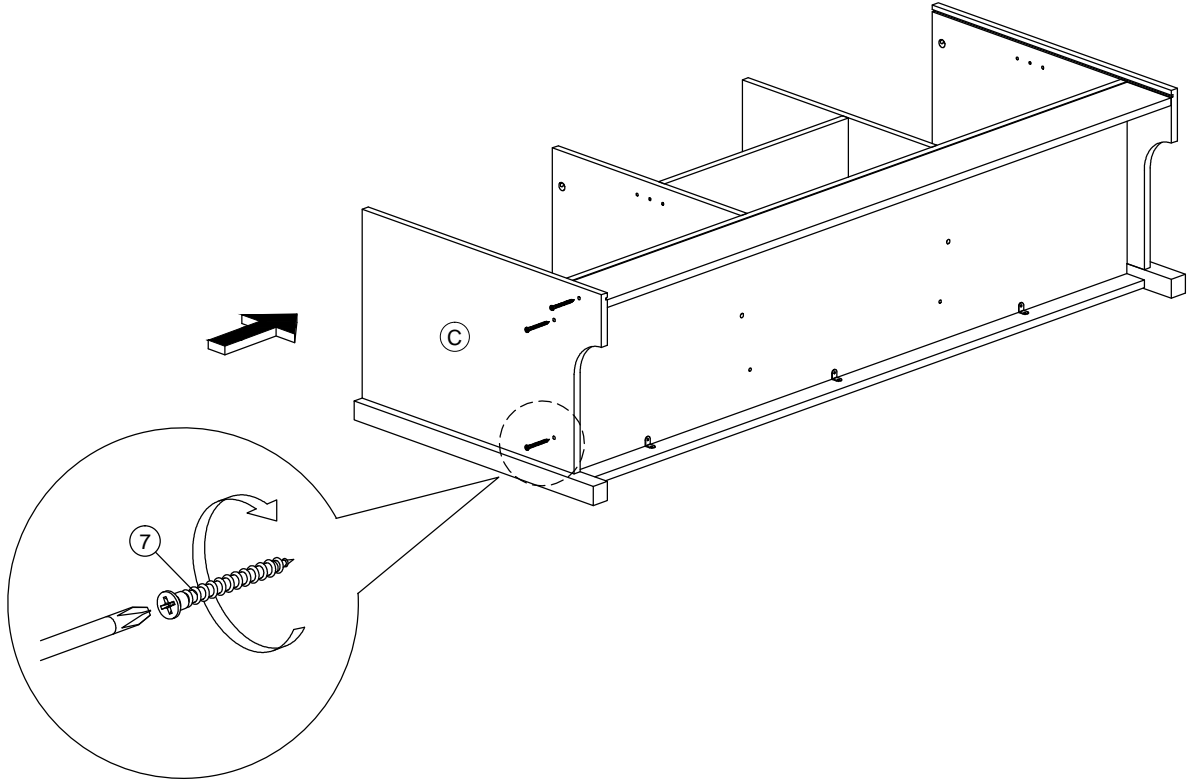


## STEP 7

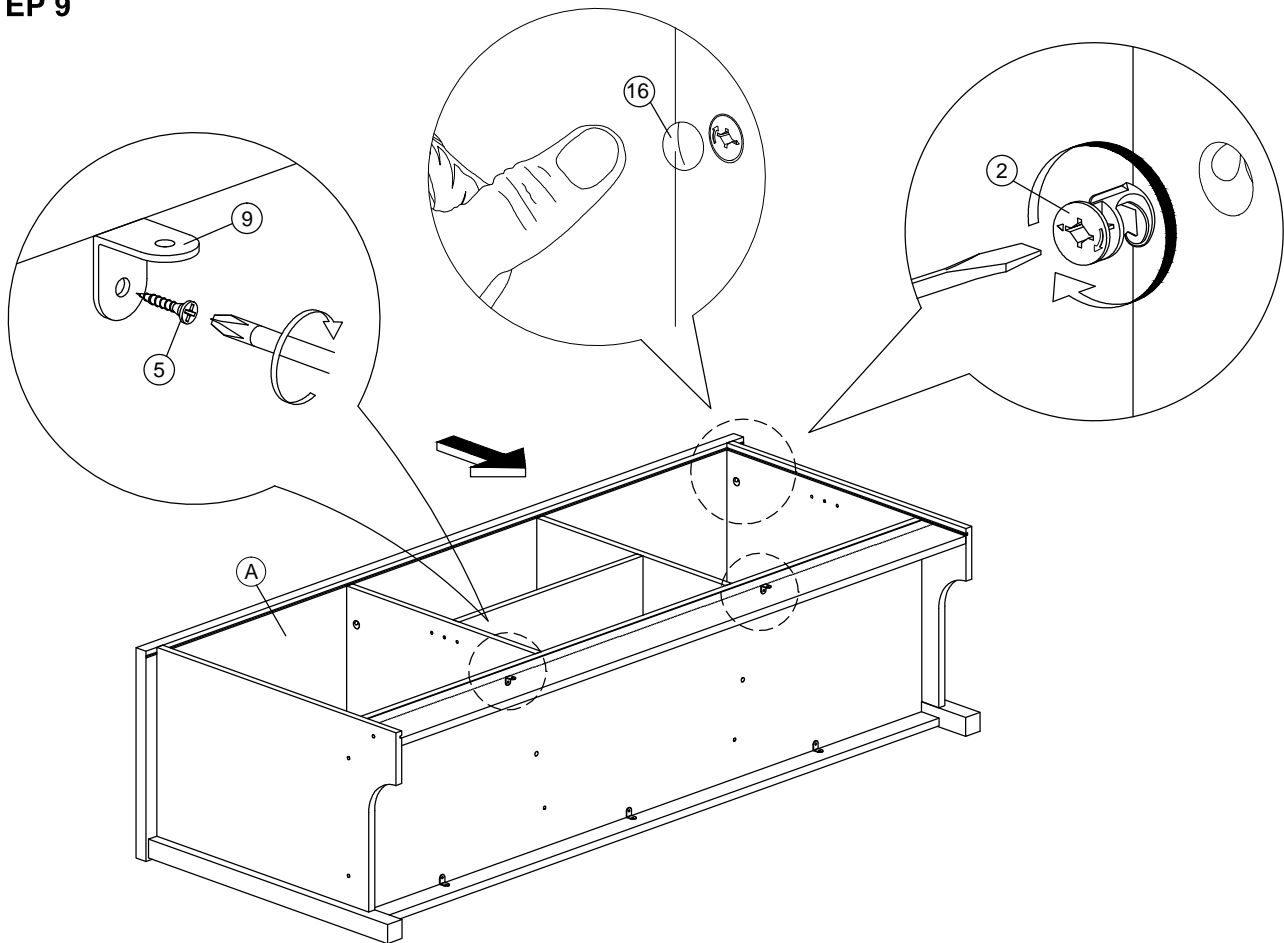


# Assembly Instruction

## STEP 8

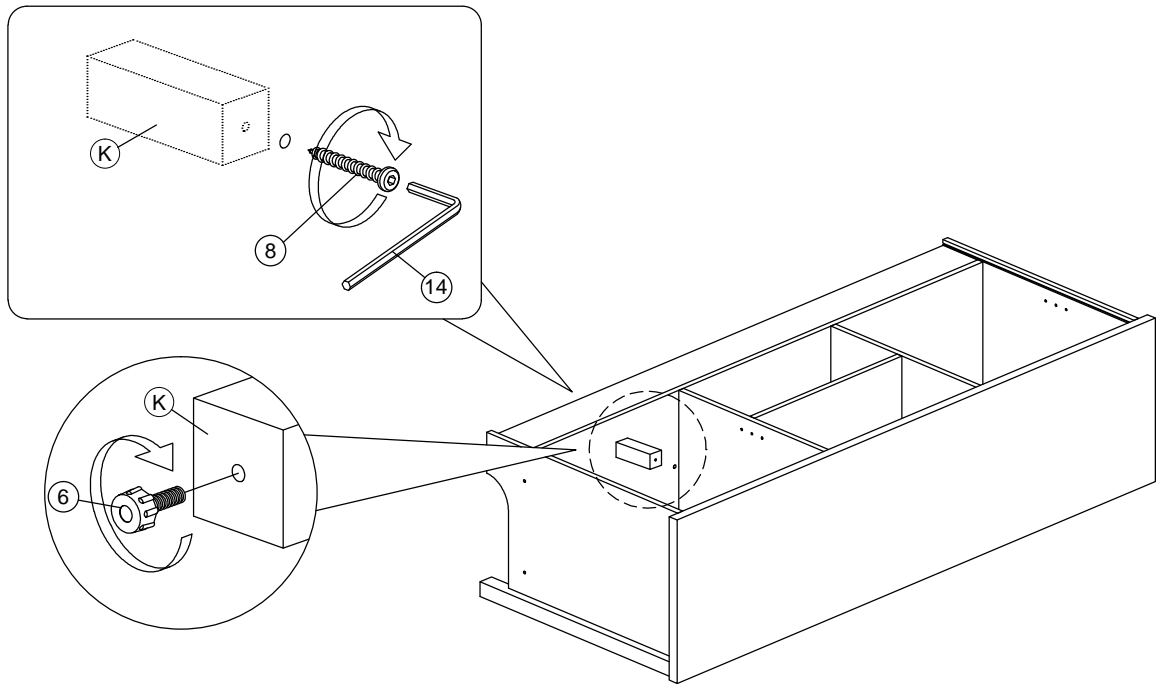


## STEP 9

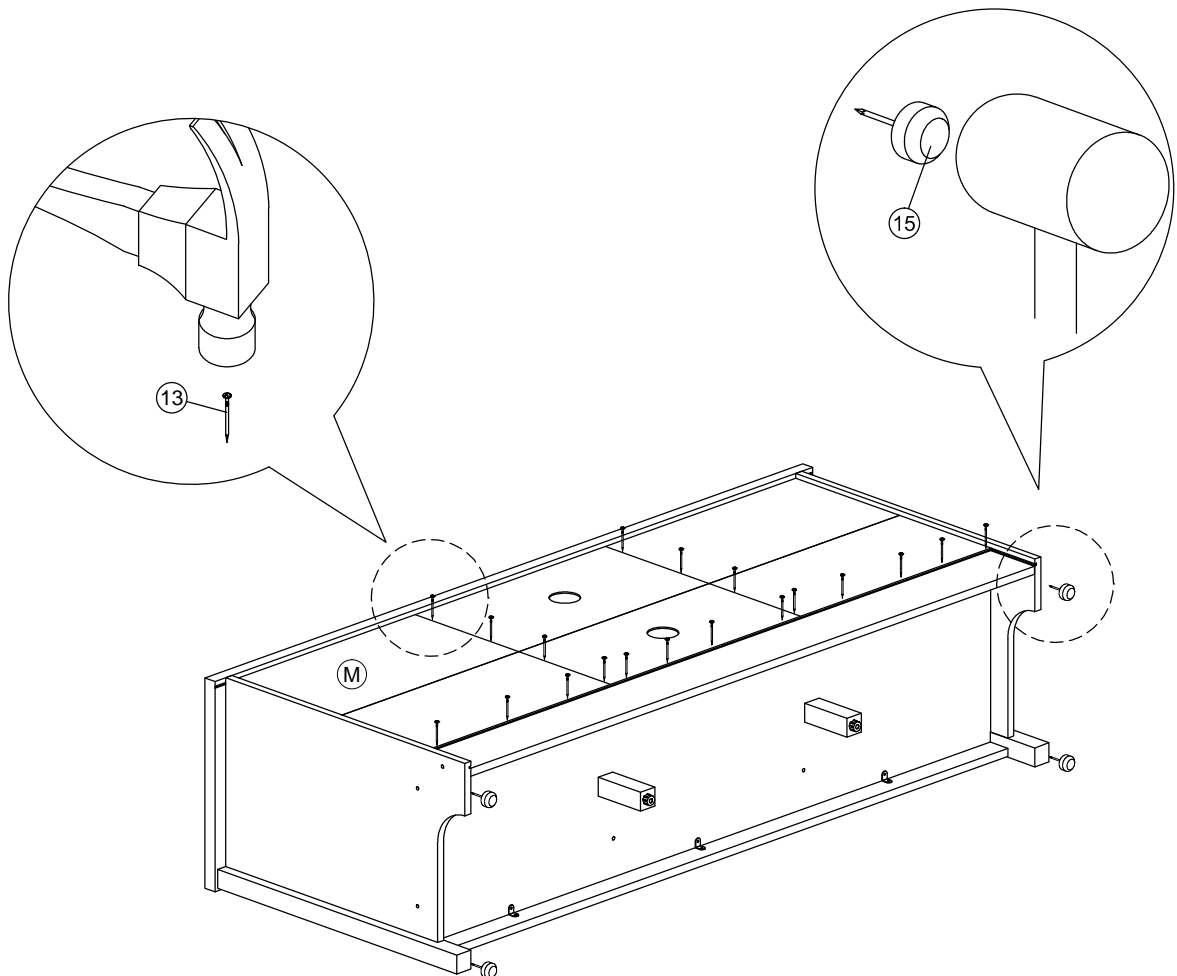


# Assembly Instruction

## STEP 10

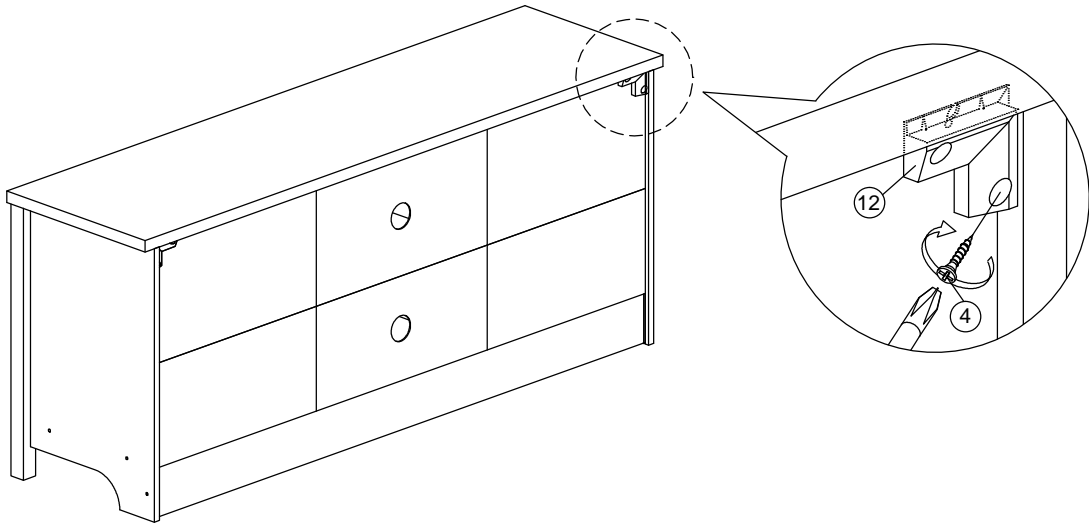


## STEP 11

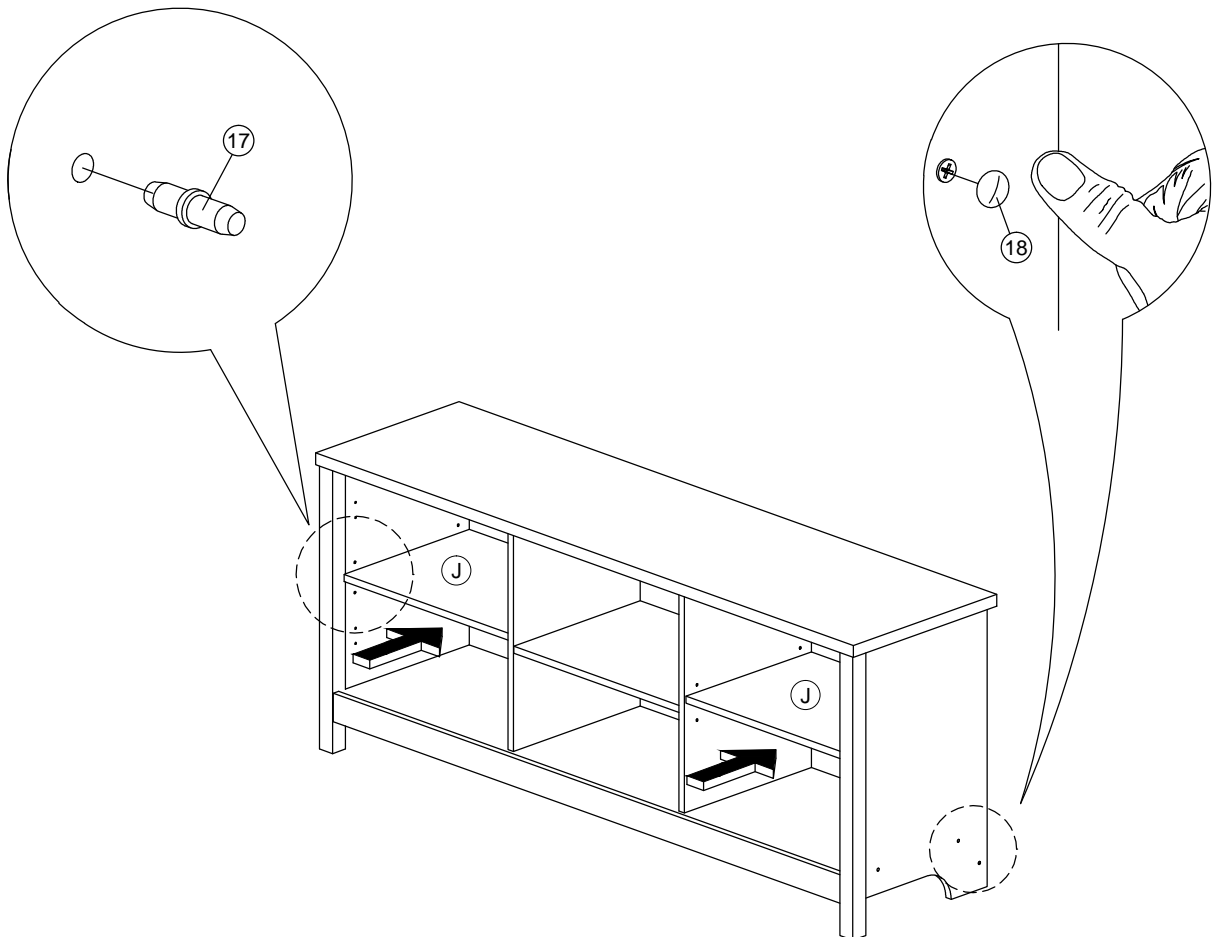


# Assembly Instruction

## STEP 12



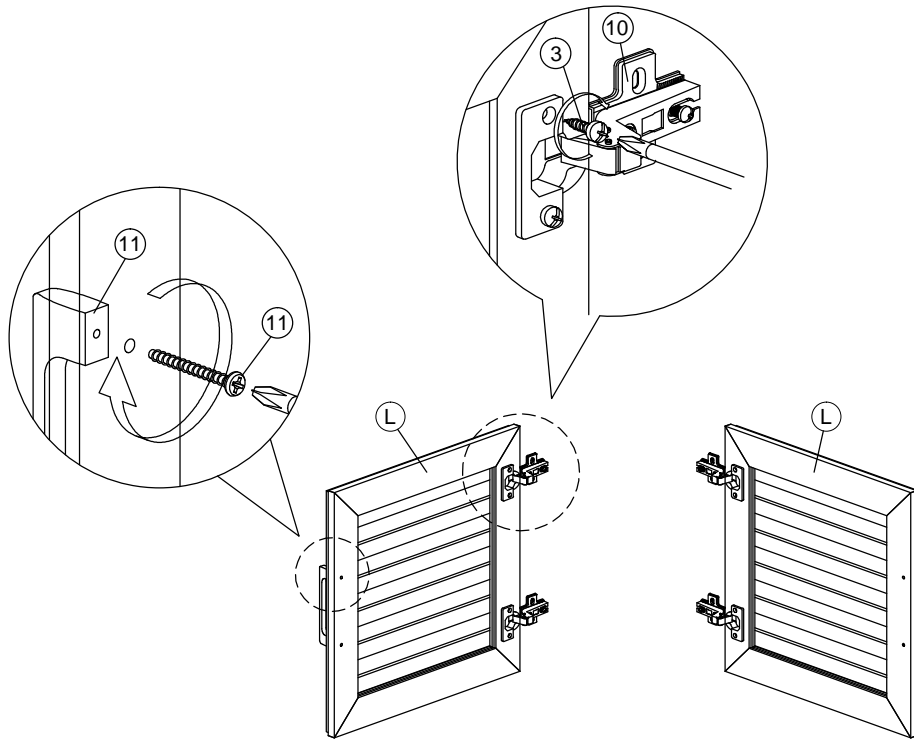
## STEP 13





# Assembly Instruction

## STEP 14



## STEP 15

