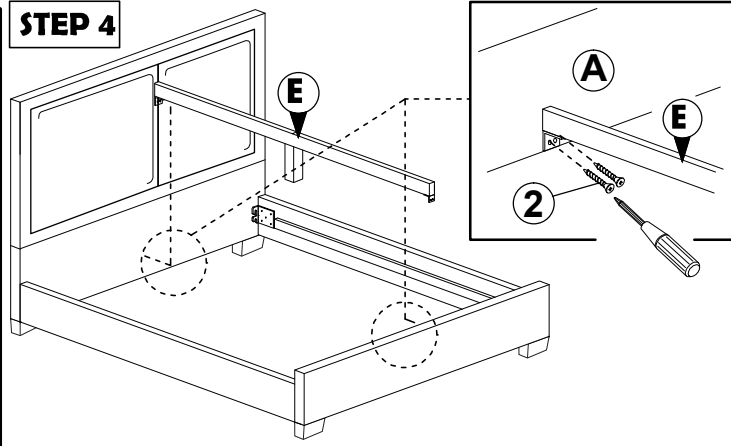
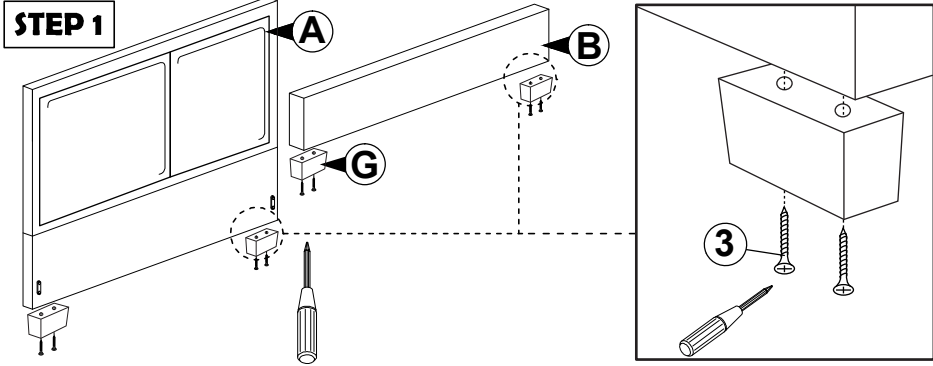
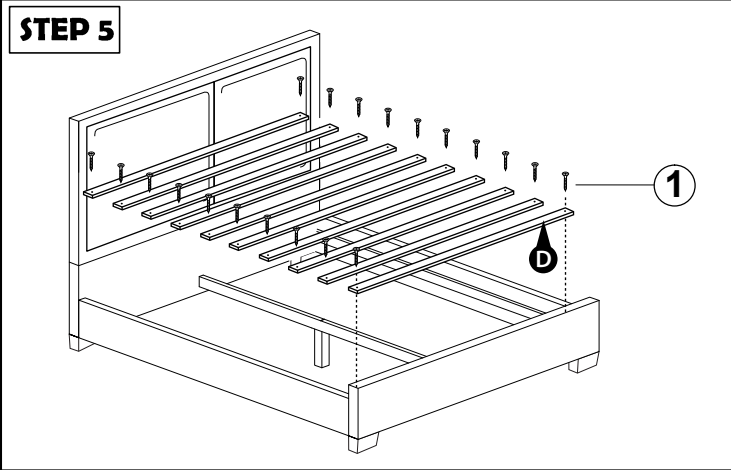
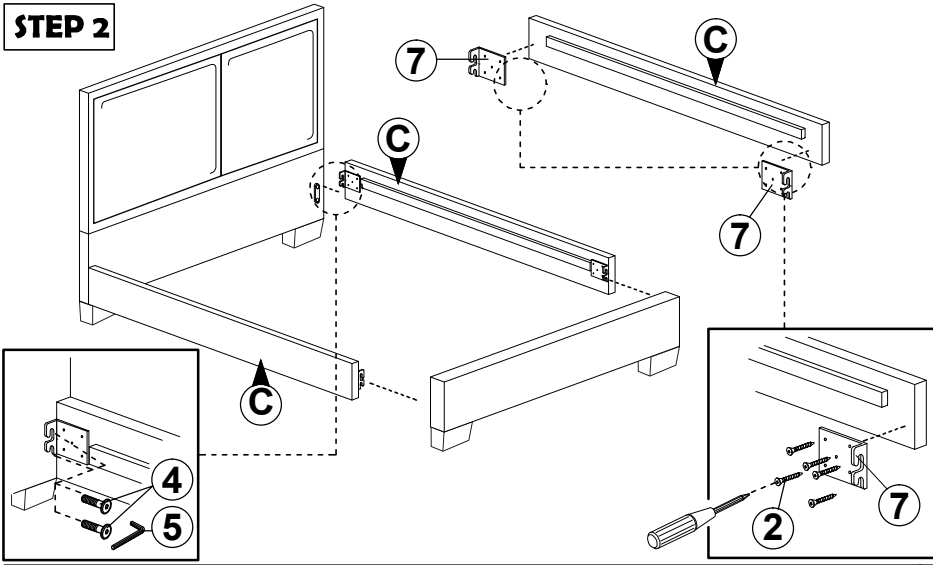


# MODEL: OSIM PU BED

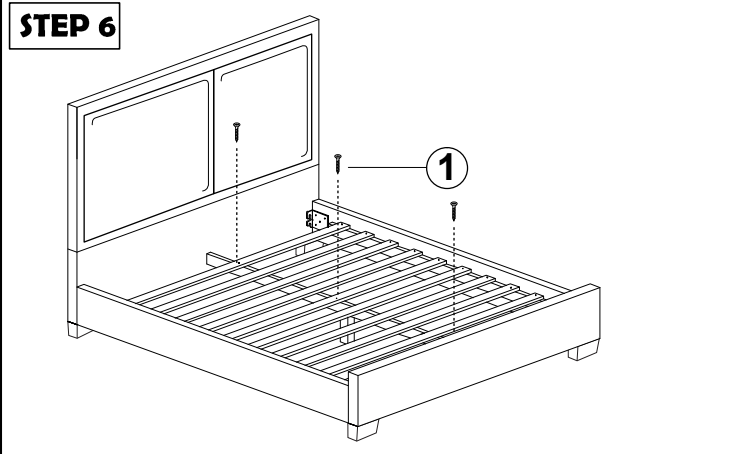
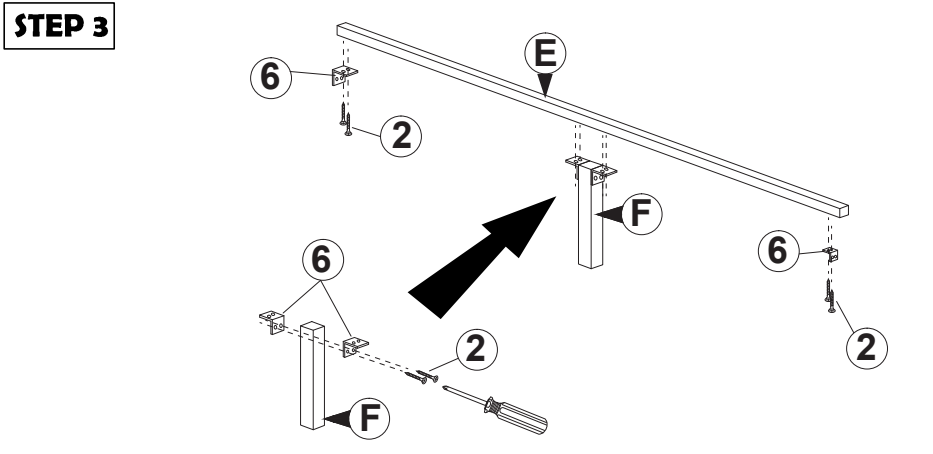
# ASSEMBLY INSTRUCTIONS



NO	PART LIST	QTY
A	HEAD BOARD	1 PC
B	FOOT BOARD	1 PC
C	SIDE PANEL	2 PCS
D	BED SLAT	10 PCS
E	CENTER RAIL BED	1 PC
F	SUPPORT BED	1 PC
G	LEGS	4 PCS

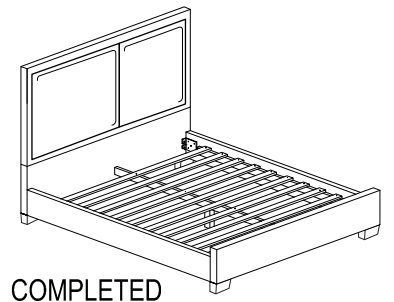
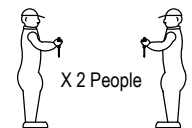


NO	HARDWARE LIST	QTY
1	C/B Screw M4 X 32mm	23 pcs
2	C/B Screw M4 X 16mm	36 pcs
3	C/B Screw M4 X 45mm	8 pcs
4	JCBB M8 X 20mm	8 pcs
5	Allen Key M5	1 pc
6	Metal 'L' Bracket (4 Hole)	4 pcs
7	5037 Bracket	4 pcs



Read this instruction carefully. Remove all wrapping material, staples and straps from the carton. See hardware and furniture part list for guidance. Be sure you have all wooden furniture parts on a clean and flat soft surface, such as a carpet or rug, to prevent from being scratched.

- CAUTION :**
1. Do not FULLY - TIGHTEN the nut or screw until all is ready to assemble.
  2. Do not OVER - TIGHTEN the nut or screw to avoid causing damages to the thread.
  3. Keep all hardware part out reach of children.



COMPLETED ASSEMBLE