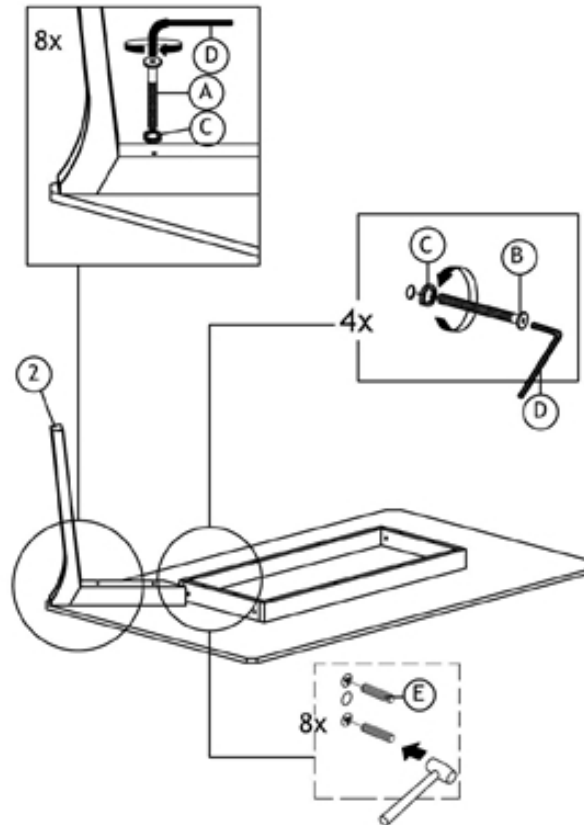


# MIER



STEP 1








## PRODUCT DESCRIPTION

Read instruction carefully. Remove all wrapping material staples and straps from the carton see hardware and furniture part list for guidance. Be sure you have all parts before you start assembling. Place all wooden furniture part a clean and flat soft surface, such as carpet or to prevent from scratched.

### CAUTION:

KEEP ALL HARDWARE PART OUT OF REACH OF CHILDREN.

HARDWARE LIST		
ITEM	DESCRIPTION	QTY
A	JCBC SCREW M6 x 80MM 	8 PCS
B	JCBC SCREW M6 x 40MM 	4 PCS
C	SPRING WASHER 5/16" 	12 PCS
D	ALLEN KEY M4 	1 PC
E	WOOD DOWEL Ø10 x 30MM 	8 PCS

PART LIST		
ITEM	DESCRIPTION	QTY
1	TABLE APRON FRAME	1 PC
2	TABLE LEG	4 PCS

**HINLIM**  
SINCE 1971

[www.hinlim.com](http://www.hinlim.com)

ISO 9001:2000  
Certificate No. 2502

