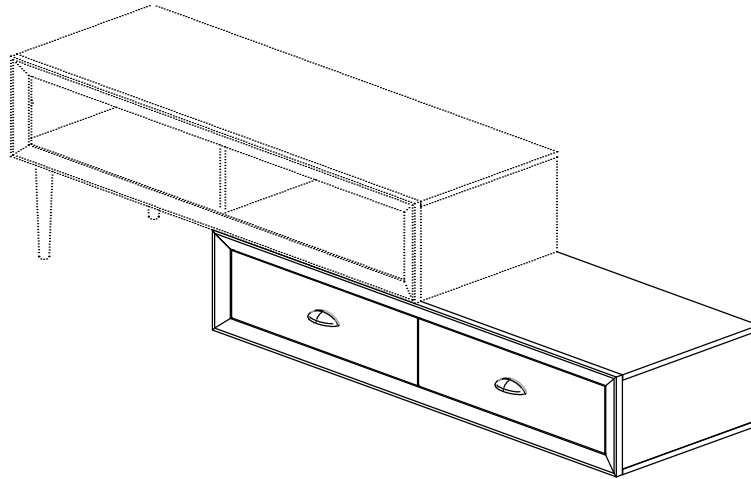
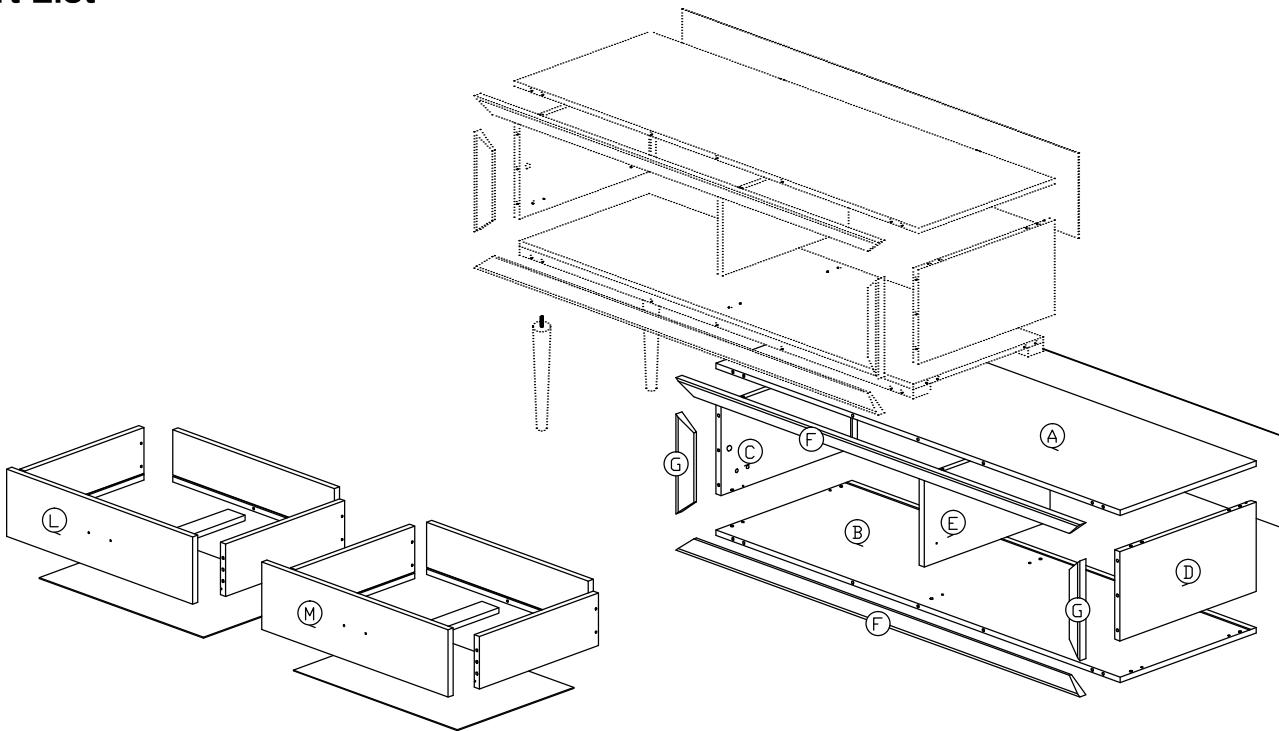


Assembly Instruction

Model : WI5484 (Unit I)



Part List



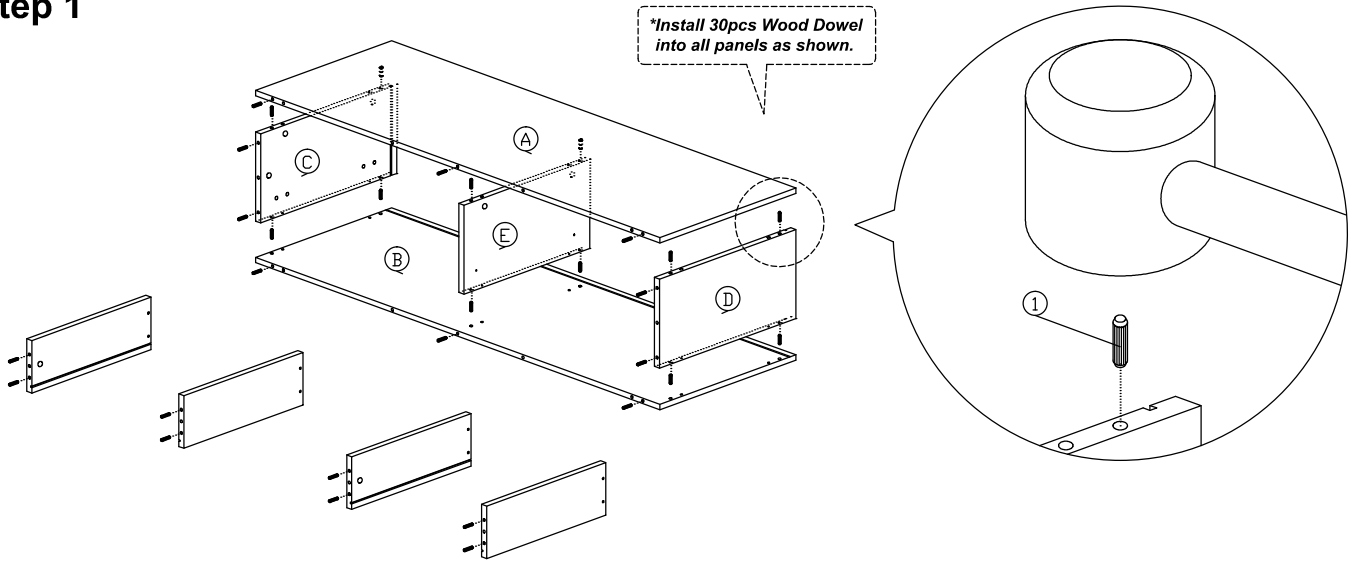
Hardware List

No.	SHAPE	DESCRIPTION	Qty.
1		8x25mm Wood Dowel	30Pcs
2		M5x8mm Screw (Euro Screw)	8Pcs
3		M3.5x15mm Screw	16Pcs
4		M3x16mm Screw	4Pcs
5		M4x38mm Screw	10Pcs
6		M5x38mm Screw	6Pcs
7		Nail	2Pcs
8		15MM Titus Mini Fix	22Sets

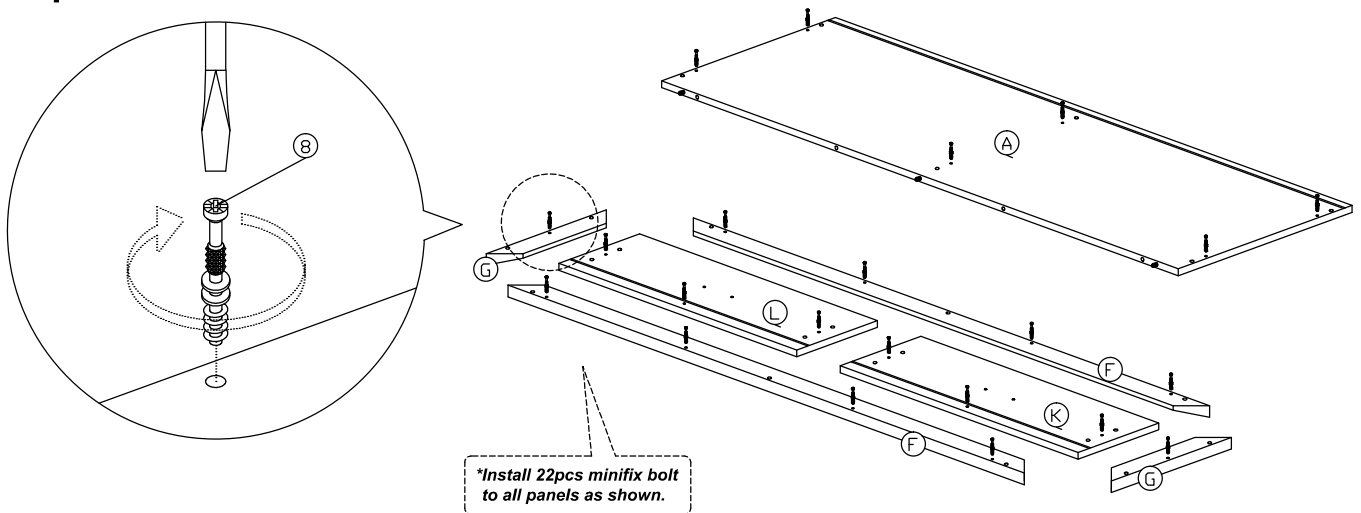
9		15mm Minifix Cap	4Pcs
10		Drawer Slide = 350mm	2Sets
11		PVC Drawer Pin	4Pcs
12		Handle 3560 (64mm) Handle Screw M4x20mm	2Sets
13		Nail Leg	5Pcs
14		Z Bracket	4Pcs

Assembly Instruction

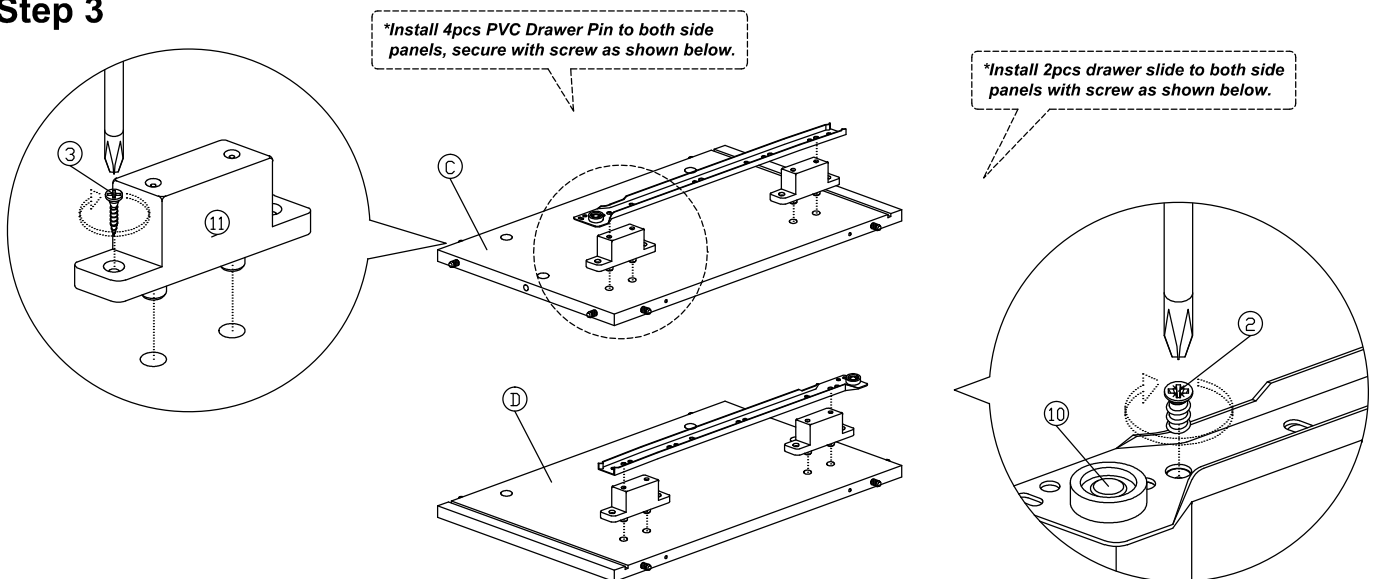
Step 1



Step 2

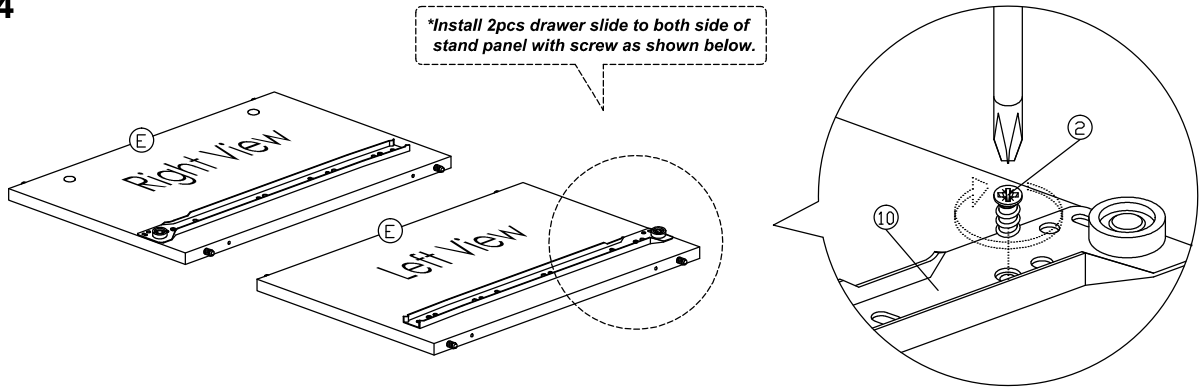


Step 3

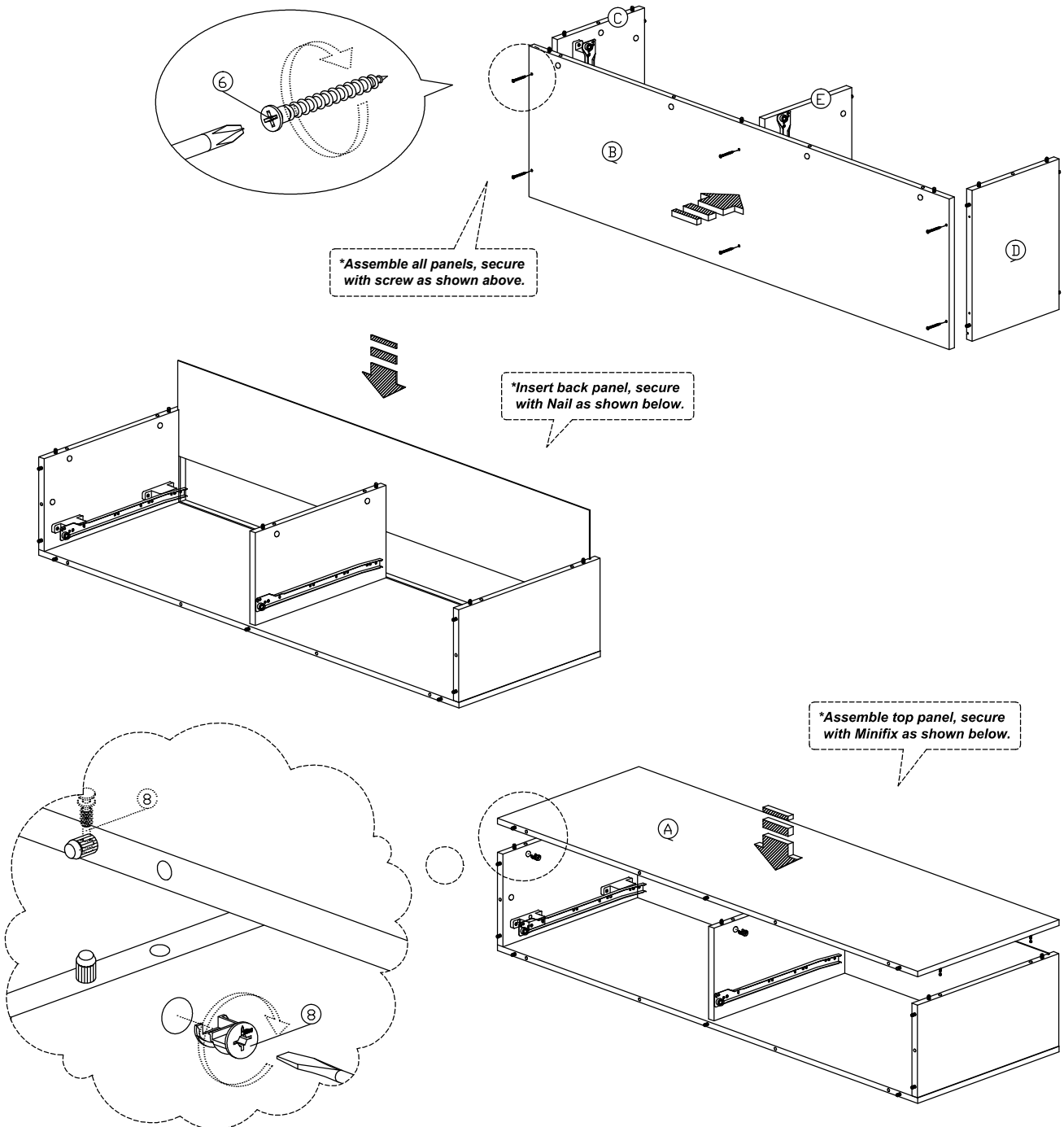


Assembly Instruction

Step 4

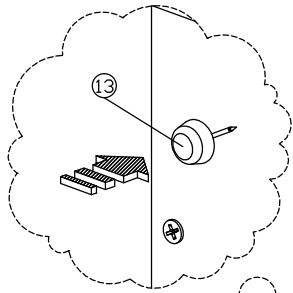


Step 5

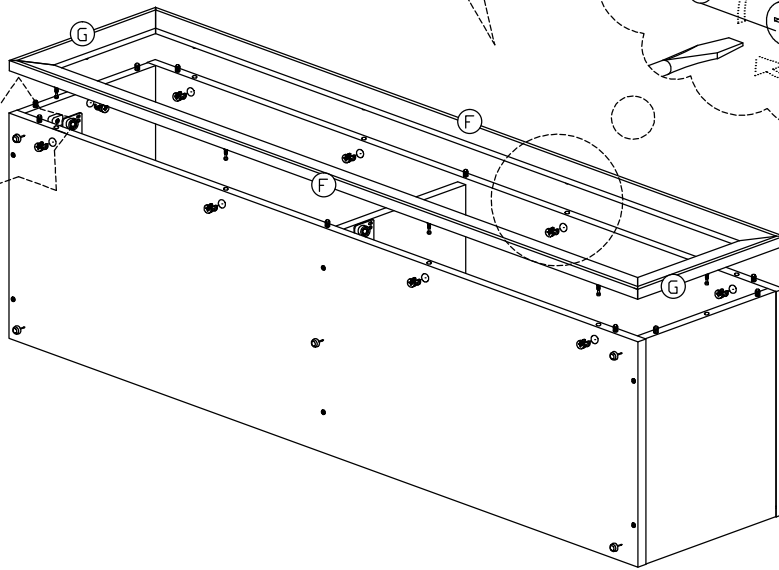


Assembly Instruction

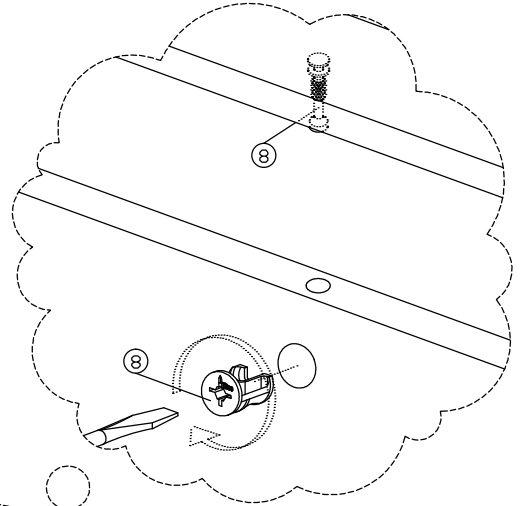
Step 6



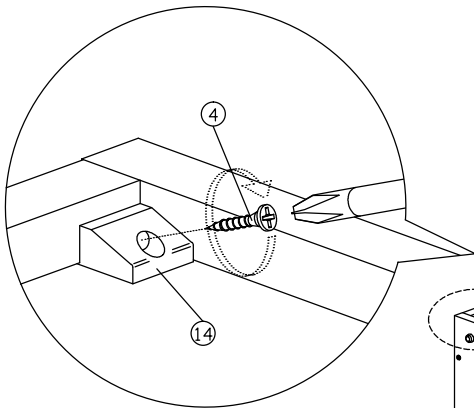
*Attach Nail Leg as shown (Star Symbol)



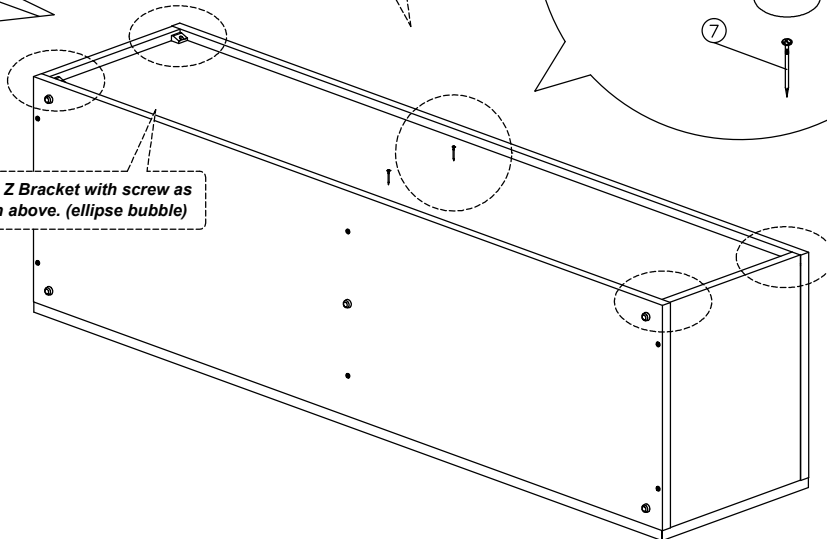
*Assemble frame panels, secure with Minifix as shown below.



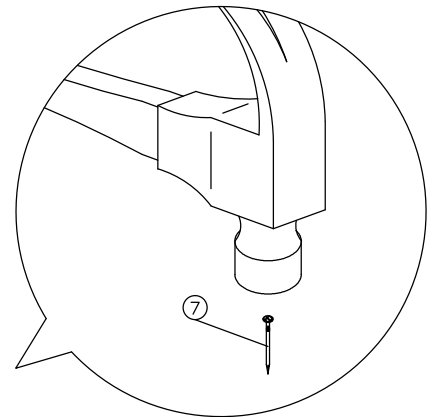
Step 7



*Install Z Bracket with screw as shown above. (ellipse bubble)

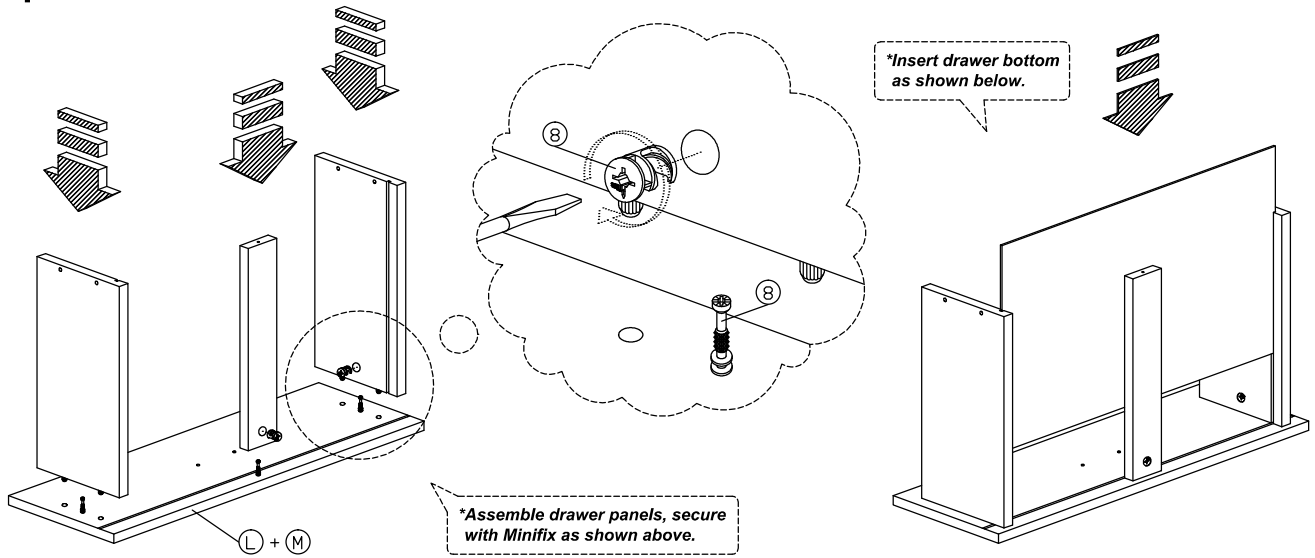


*Secure back panel with Nail as shown below.

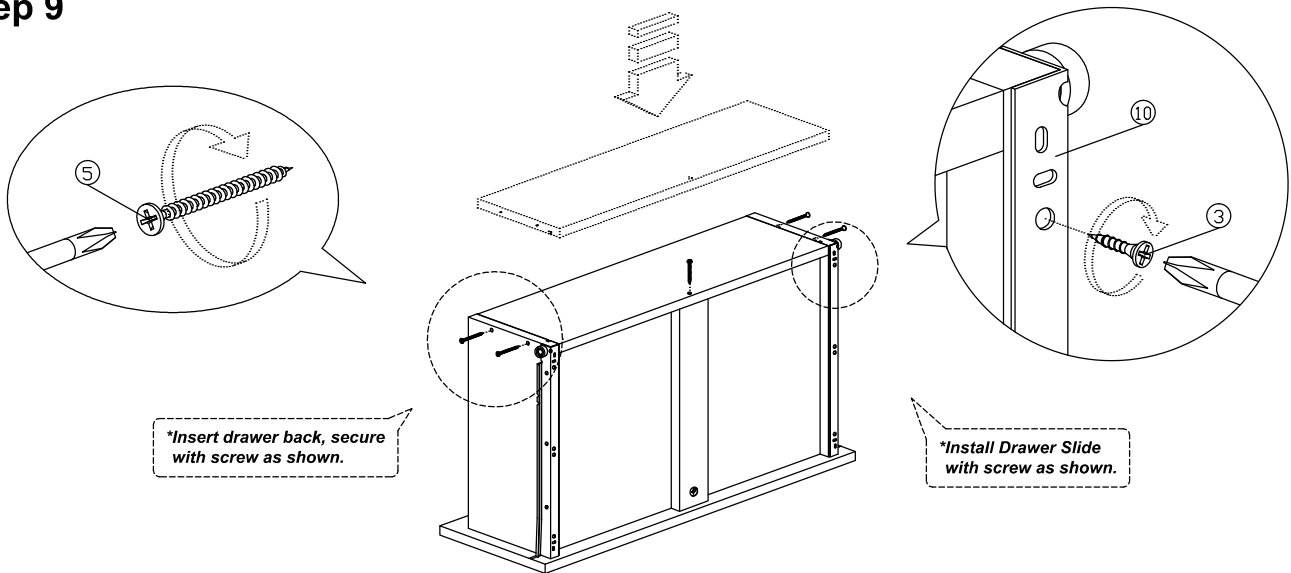


Assembly Instruction

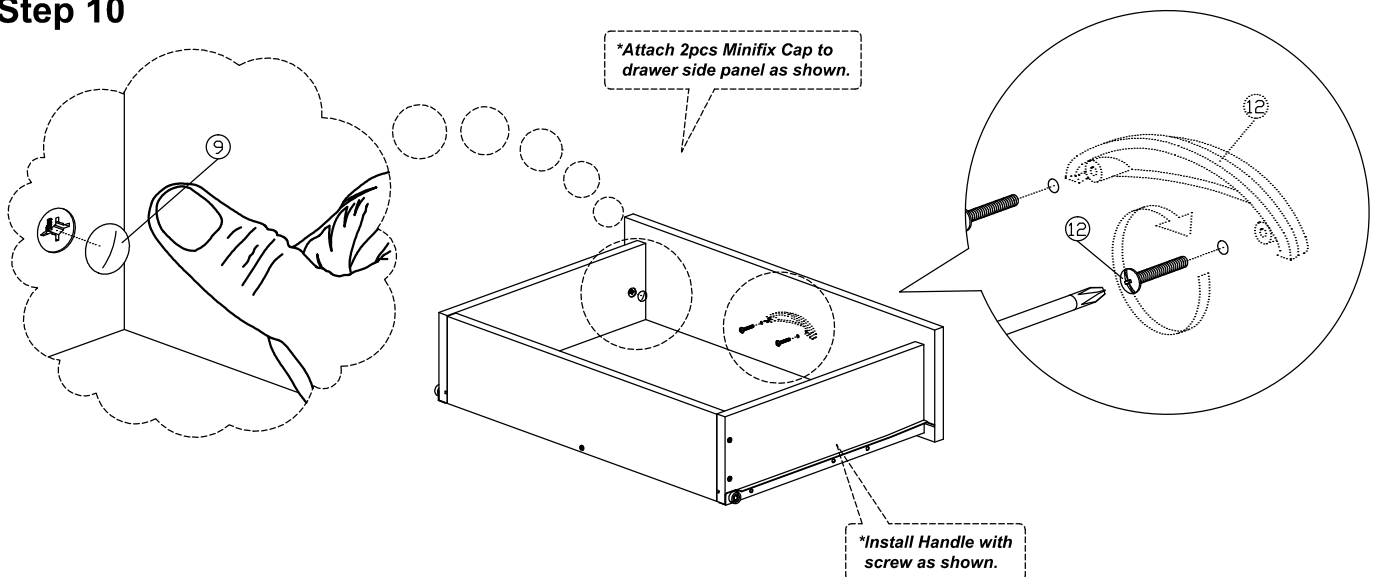
Step 8



Step 9

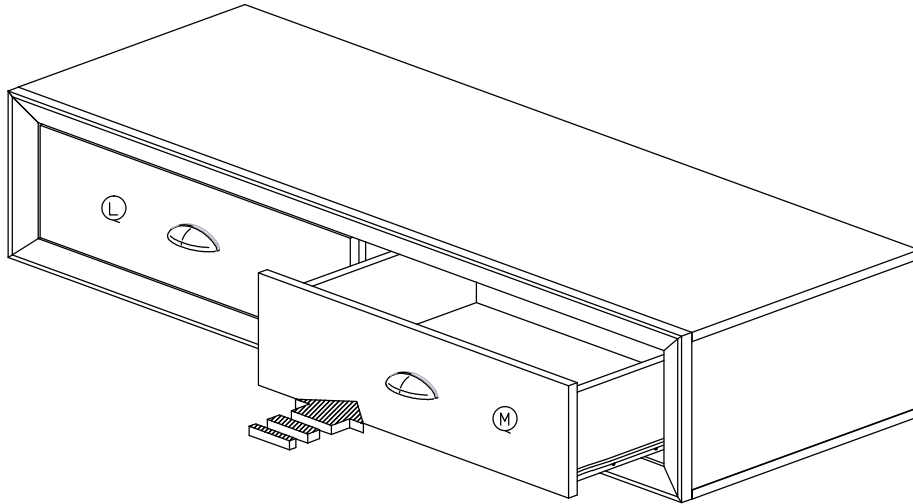


Step 10



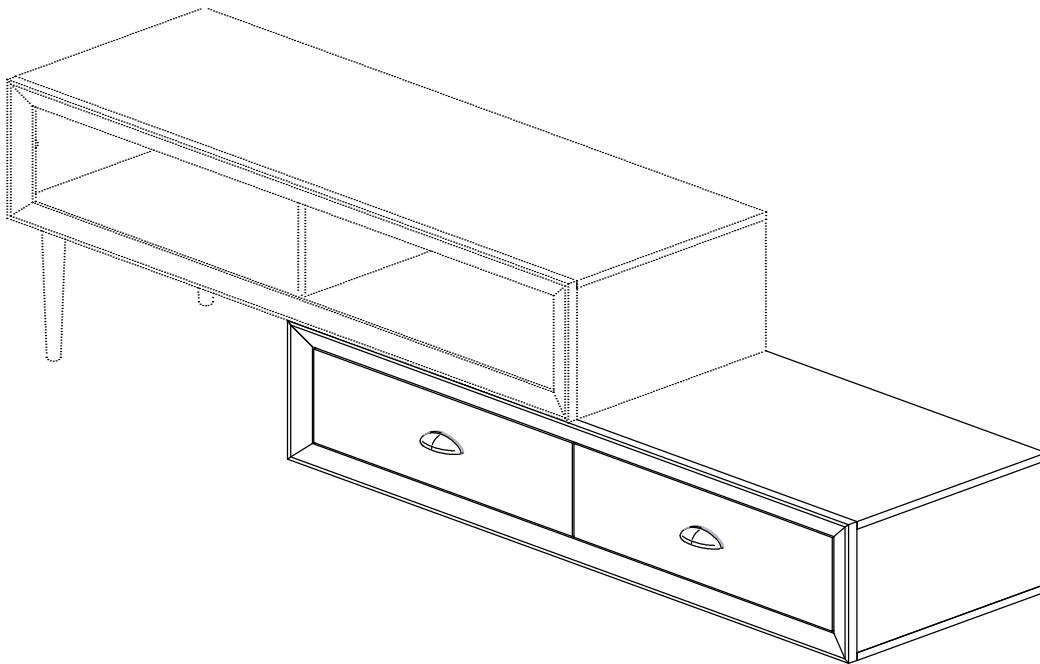
Assembly Instruction

Step 11



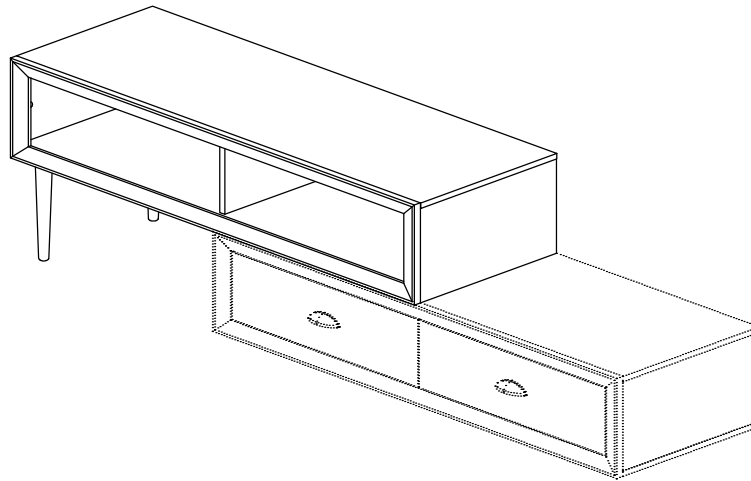
**Place both drawers into cabinet as shown above.*

Complete

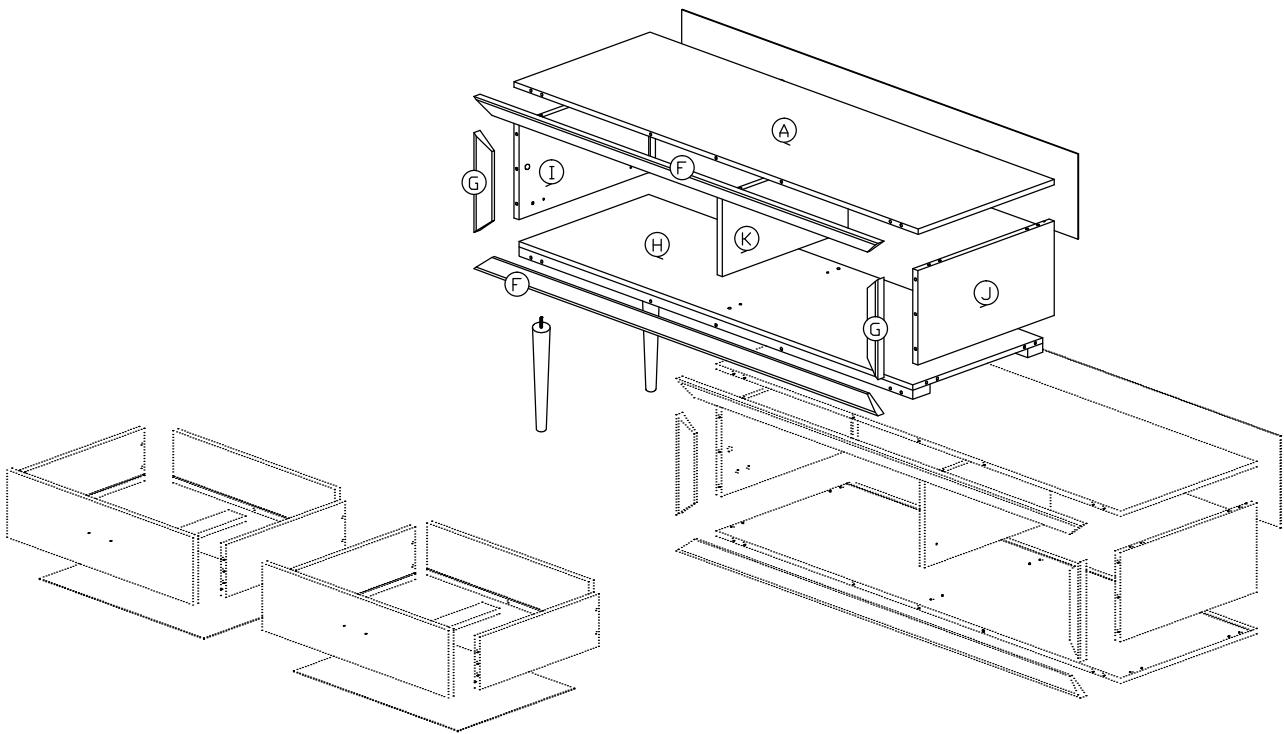


Assembly Instruction

Model : WI5484 (Unit II)

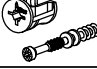





Part List



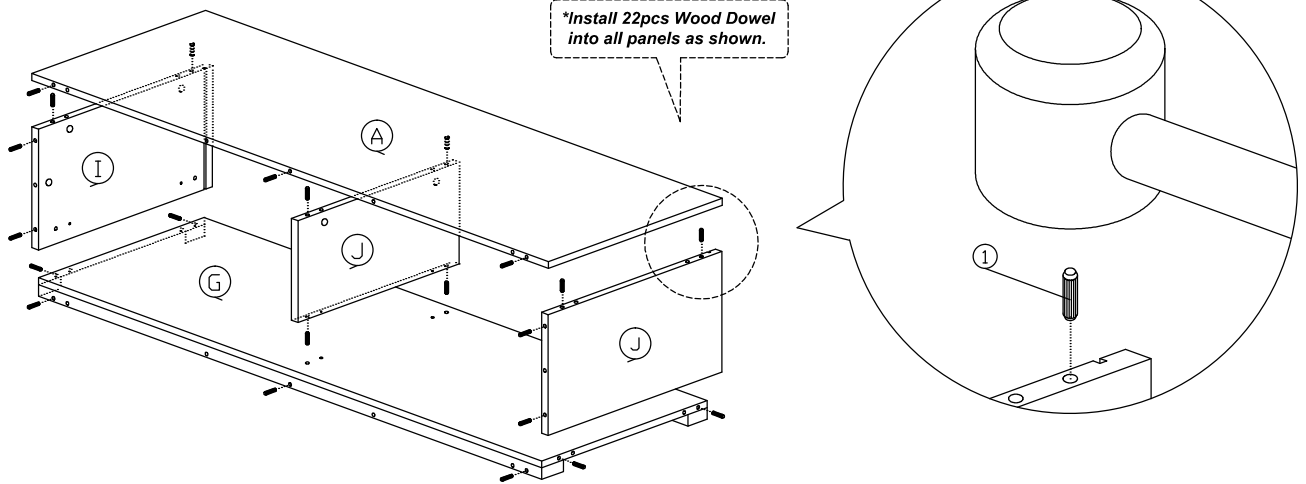
Hardware List

No.	SHAPE	DESCRIPTION	Qty.
1		8x25mm Wood Dowel	22Pcs
2		M3x16mm Screw	2Pcs
3		M5x38mm Screw	2Pcs
4		Nail	11Pcs

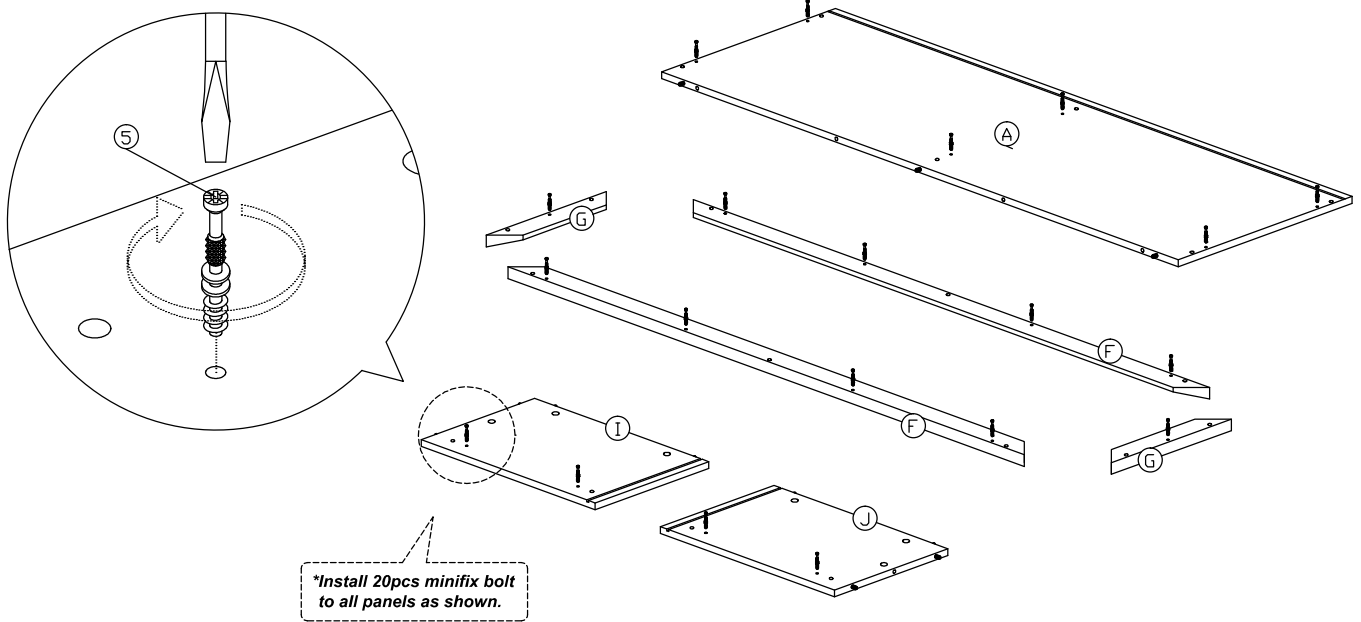
5		15MM Titus Mini Fix	20Sets
6		15mm Minifix Cap	2Pcs
7		Z Bracket	2Pcs
8		Furniture Square Gasket (30 x 30mm)	2Pcs
9		Wooden Leg	2Pcs

Assembly Instruction

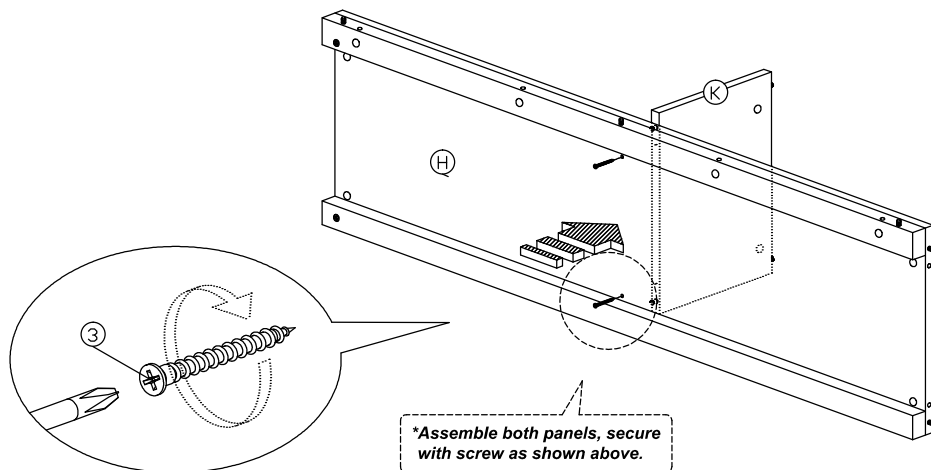
Step 1



Step 2

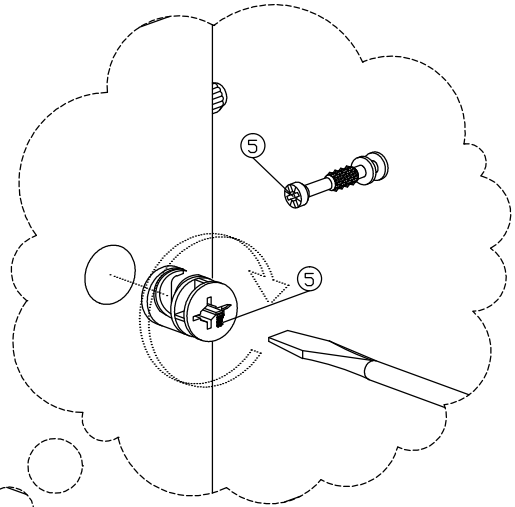
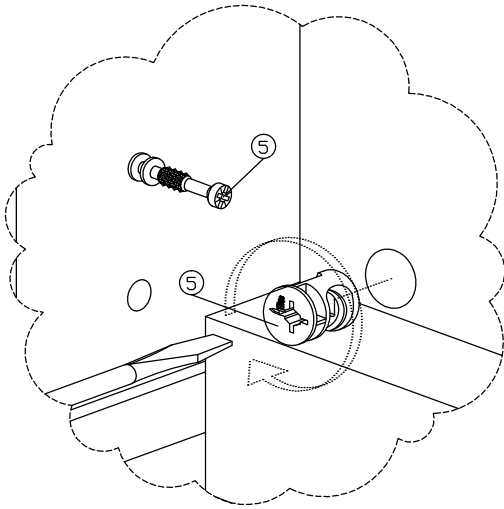
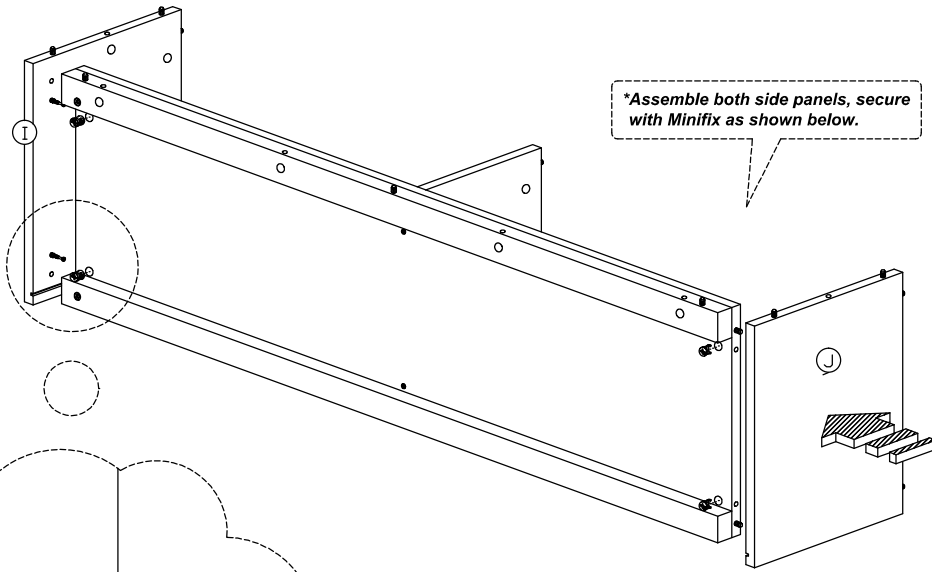


Step 3

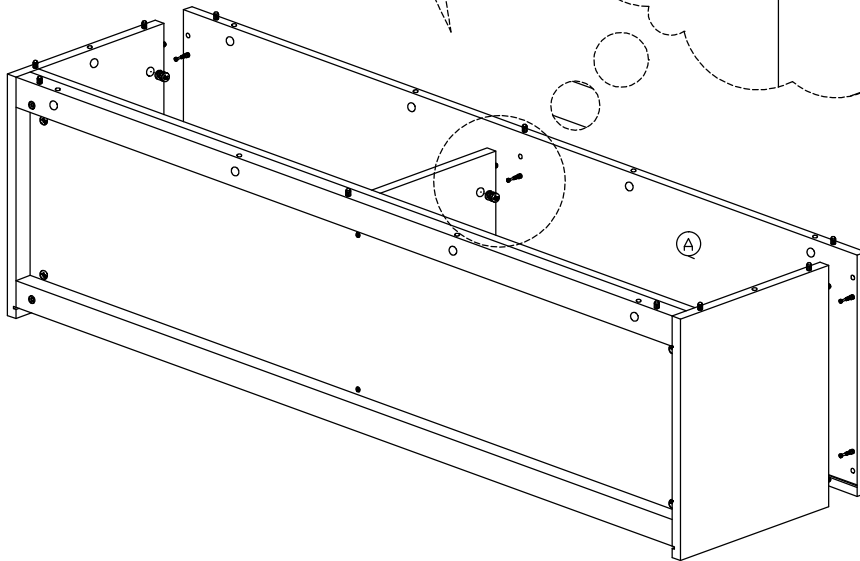


Assembly Instruction

Step 4

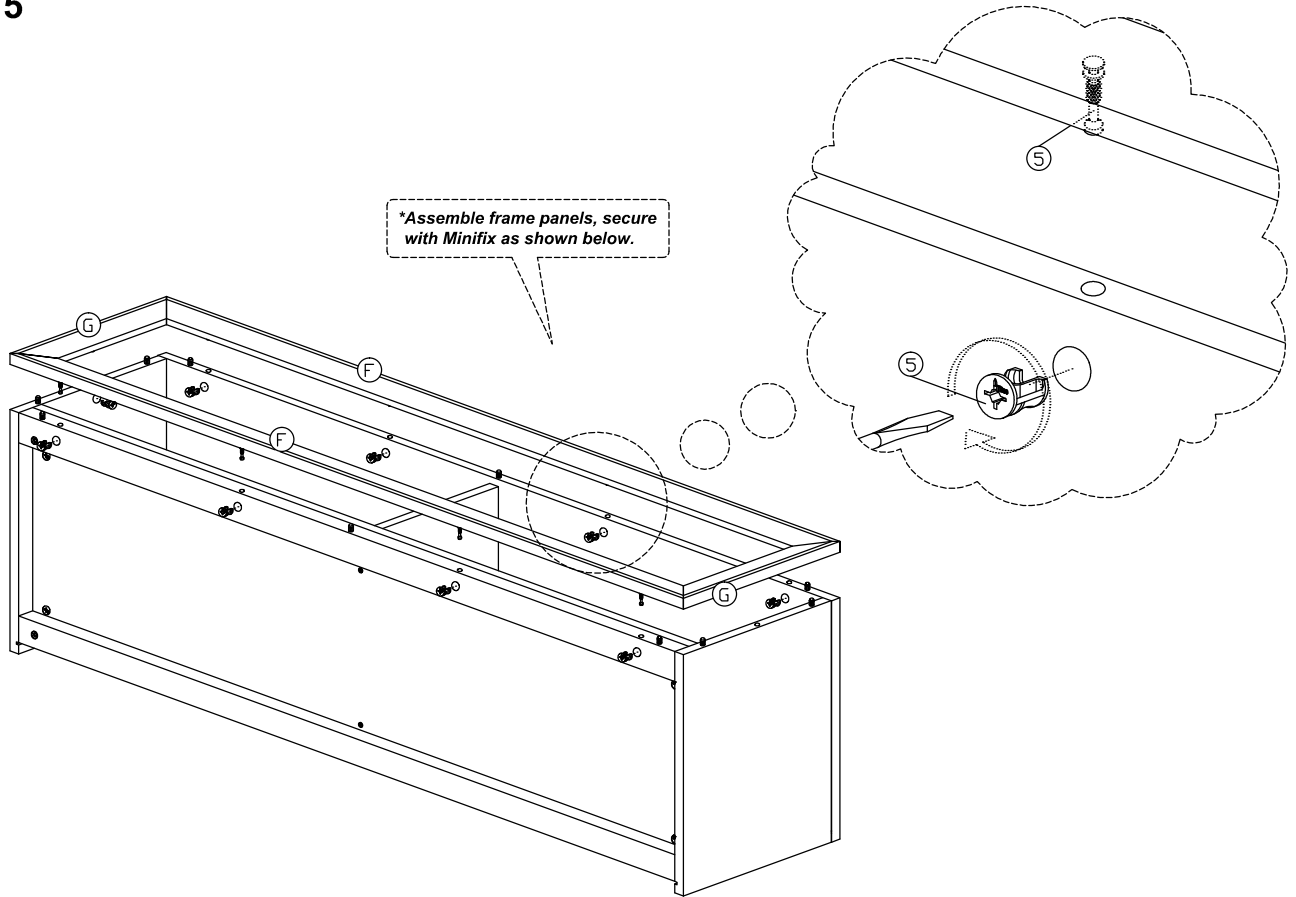


**Assemble top panel, secure with Minifix as shown below.*

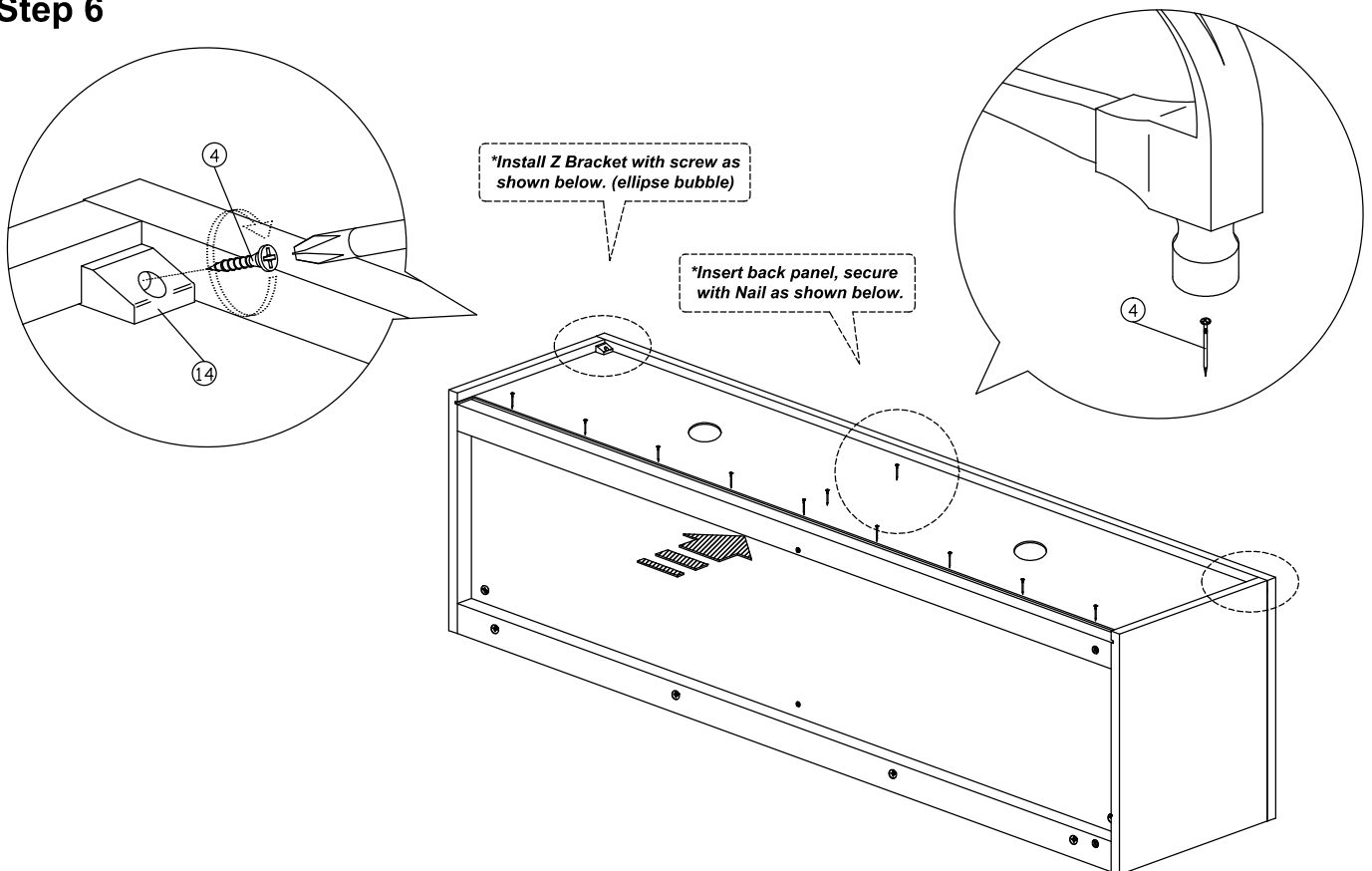


Assembly Instruction

Step 5



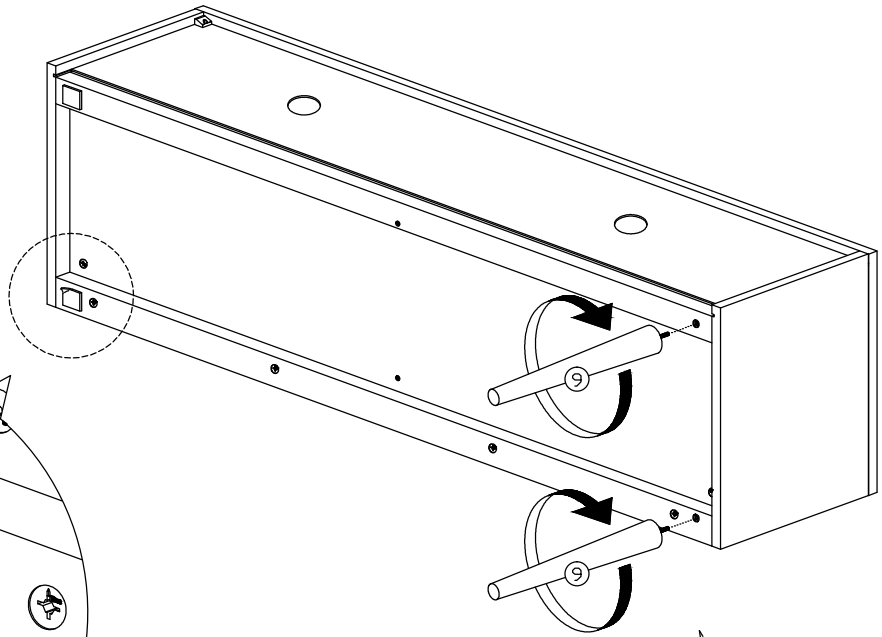
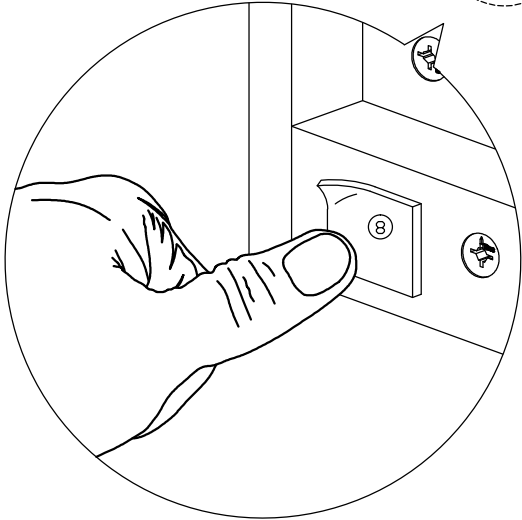
Step 6



Assembly Instruction

Step 7

*Paste Furniture Square Gasket as shown.



*Assemble Wooden Leg as shown.

*Attach 2pcs Minifix Cap to both side panels as shown.

