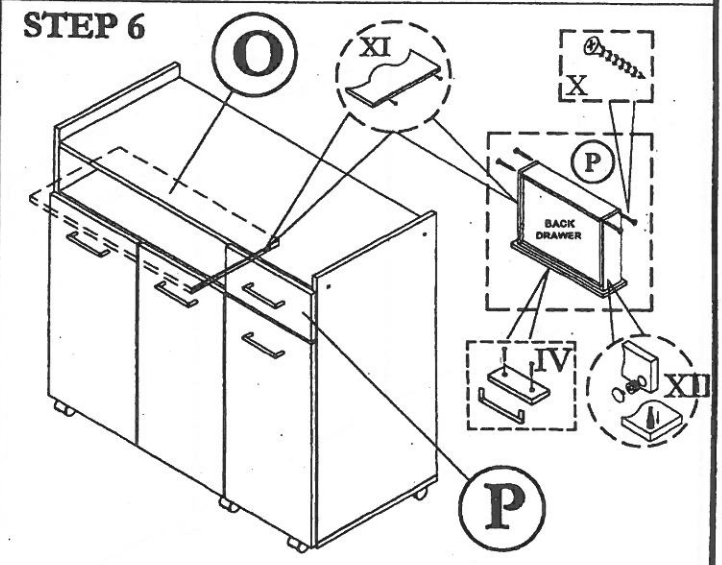
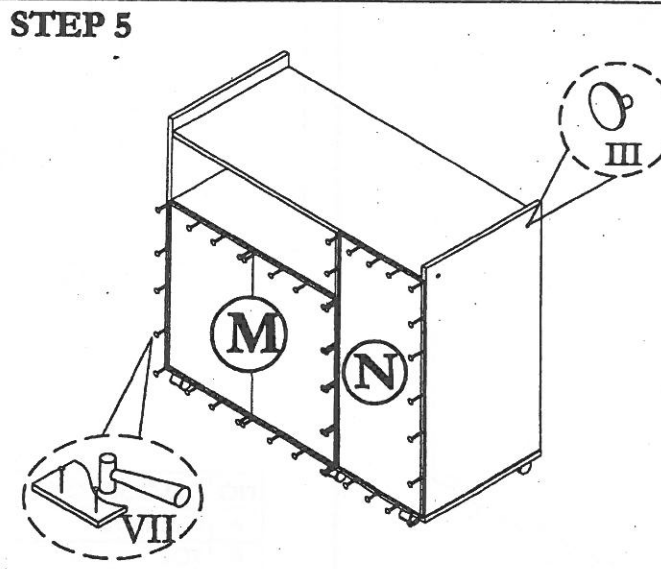
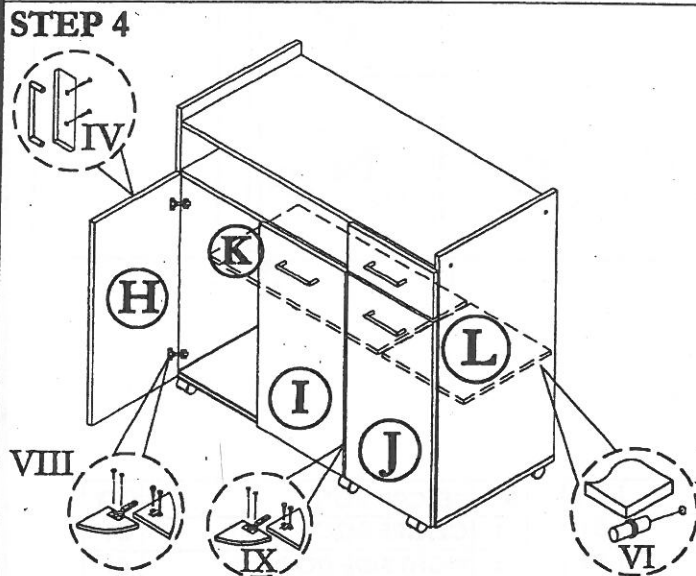
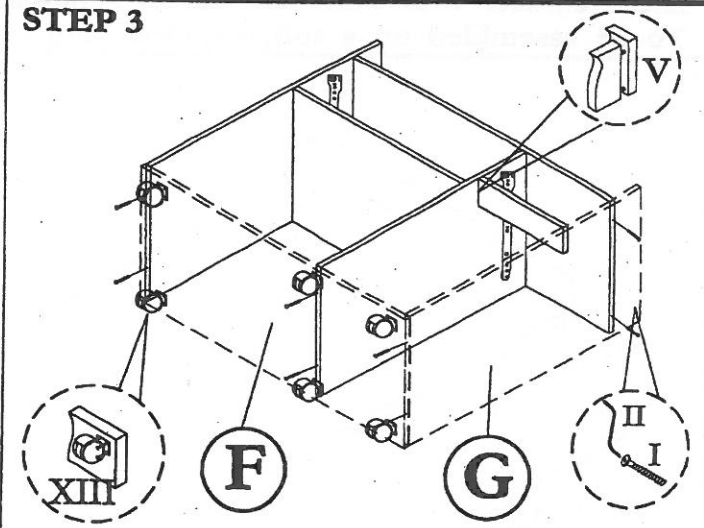
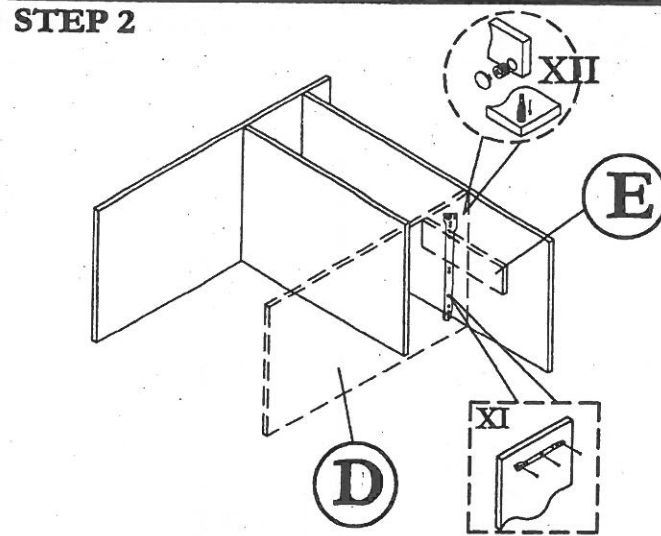
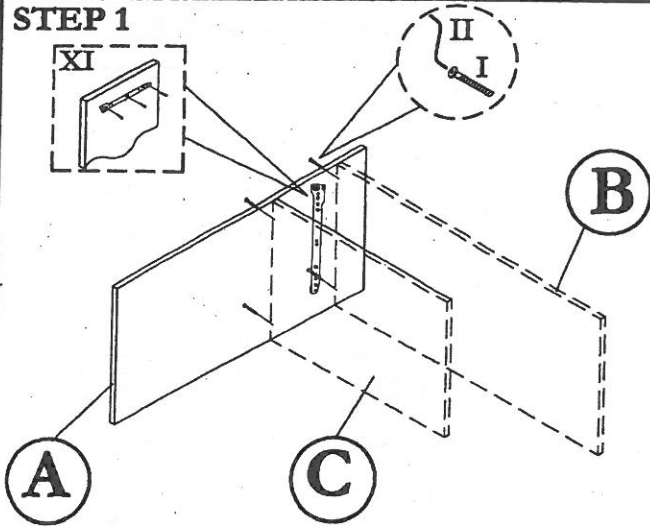


ASSEMBLY INSTRUCTION

MODEL : 8622 / KITCHEN CABINET

Before you begin, please follow assembly instruction carefully. Then follow them step by step.



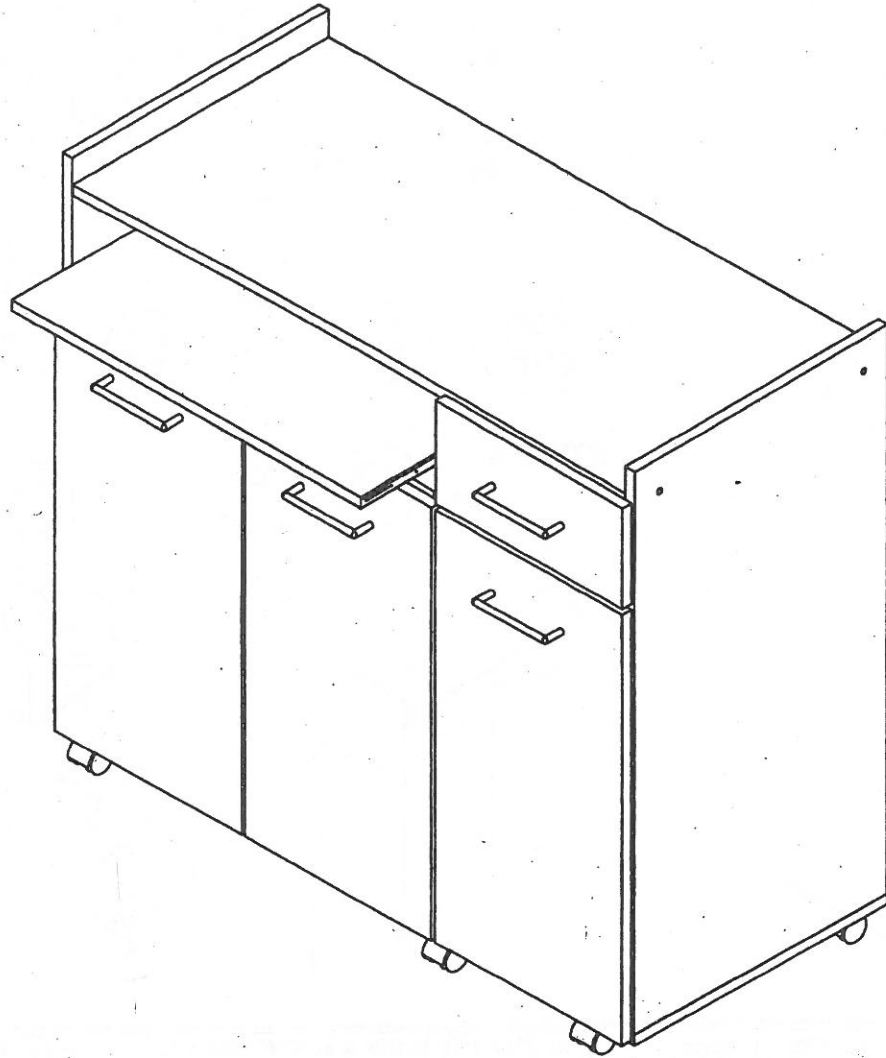
HARDWARE LIST			
NO	DESCRIPTION		QTY
I	JCBCW SCREW M6 x 45		14pcs
II	M4 ALLEN KEY		1pc
III	CAP SMALL		10pcs
IV	HANDLE & SCREW M3.5 x 30		4sets

V	M8 x 30 PLASTIC DOWEL		4pcs
VI	PVC SHELF SUPPORT		8pcs
VII	NAIL		50pcs
VIII	HINGE (A) & SCREW M3.5 x 16		4sets
IX	HINGE (B) & SCREW M3.5 x 16		2sets
X	M8 x 32 CHIPBOARD SCREW		4pcs

XI	DRAWER SLIDER & SCREW M3.5 x 12		2sets
XII	Q-FIT		6sets
XIII	ROLLER & SCREW M3.5 x 12		6sets

CAUTION:

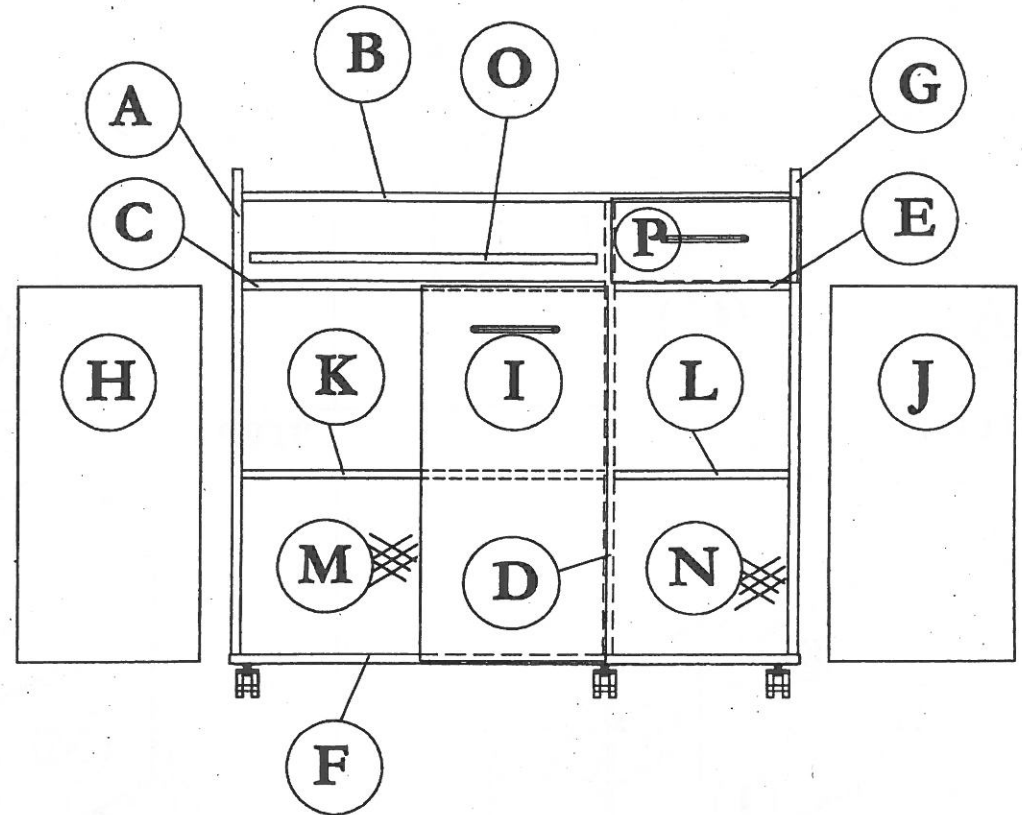
To clean use soft, dry cloth. Do not use detergent or chemicals
 Avoid contact with water and direct sunlight.
 To be assembled on a soft, dry, clean and smooth surface.



COMPLETE SET

ORDERING REPAIR PARTS

In order to obtain smooth and rapid service when ordering repair parts, please give full attention to the following of PART NUMBER.



NO	DESCRIPTION	QTY
A	LEFT SIDE	01
B	TOP	01
C	CENTRE SHELF (LEFT)	01
D	CENTRE VERTICAL	01
E	CENTRE SHELF (RIGHT)	01
F	LOWER SHELF	01
G	RIGHT SIDE	01
H	LEFT SIDE DOOR	01

NO	DESCRIPTION	QTY
I	CENTRE DOOR	01
J	RIGHT SIDE DOOR	01
K	MOVABLE SHELF (LEFT)	01
L	MOVABLE SHELF (RIGHT)	01
M	BACK	02
N	BACK	01
O	DRAWER SHELF	01
P	DRAWER FACE	01