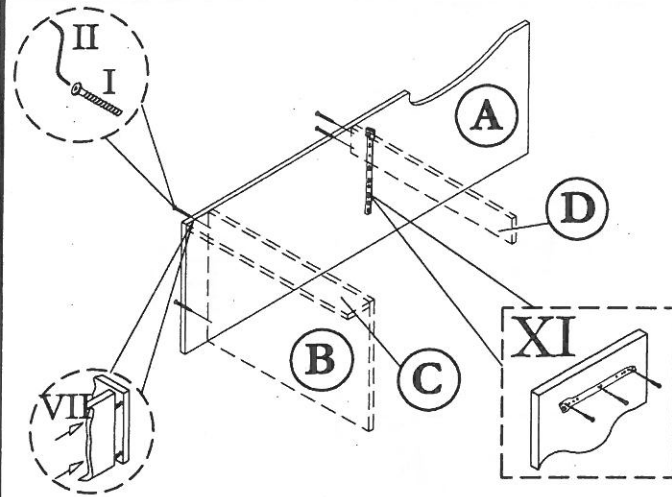


ASSEMBLY INSTRUCTION

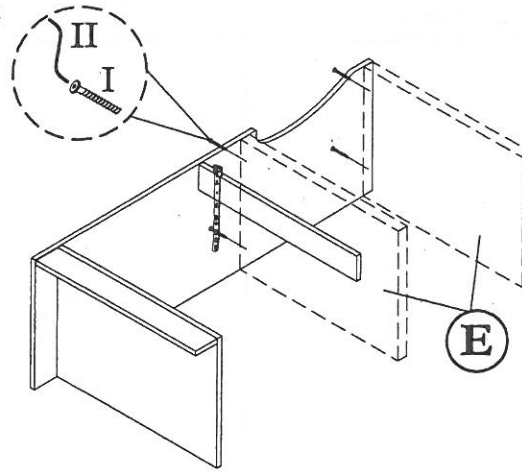
MODEL : 8580 / KITCHEN CABINET

Before you begin, please follow assembly instruction carefully.
Then follow them step by step.

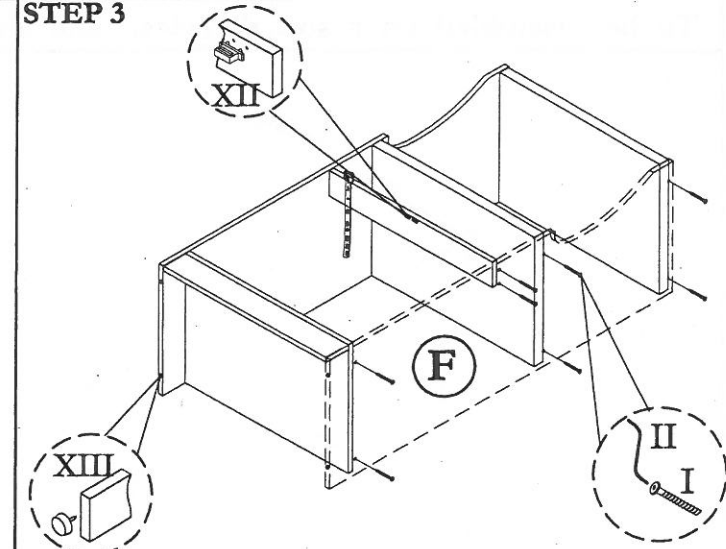
STEP 1



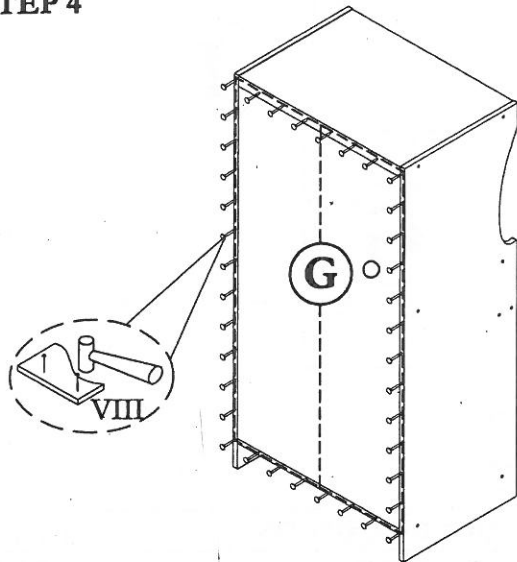
STEP 2



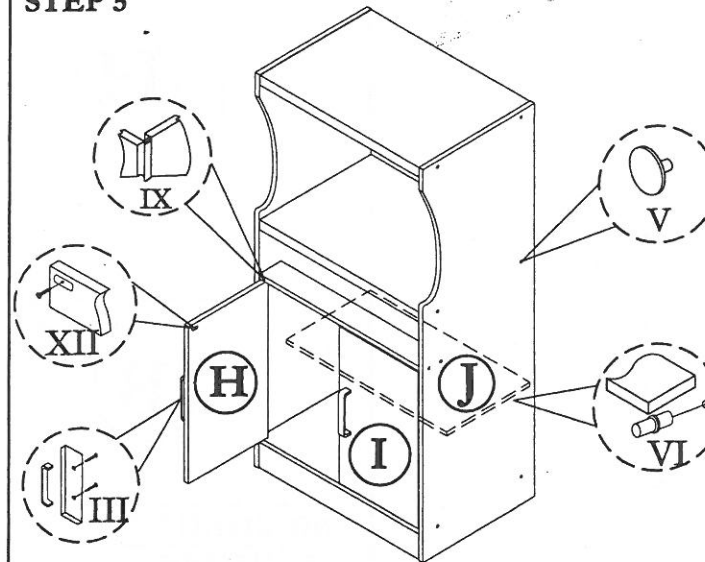
STEP 3



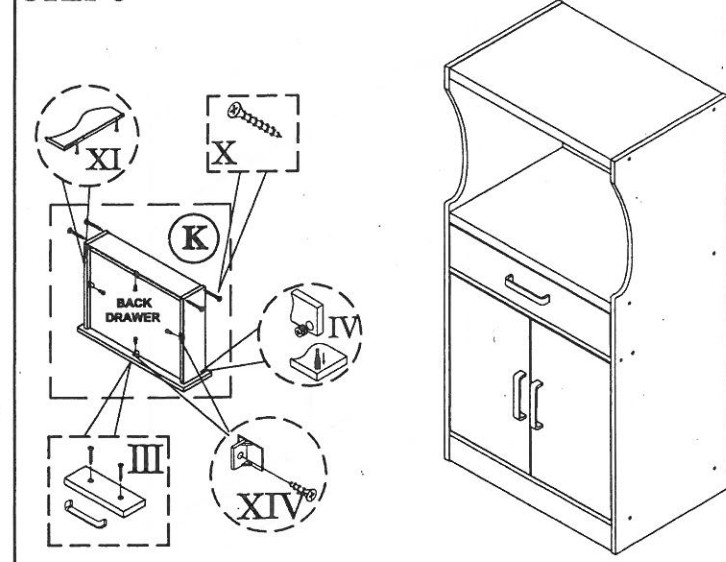
STEP 4



STEP 5



STEP 6



HARDWARE LIST

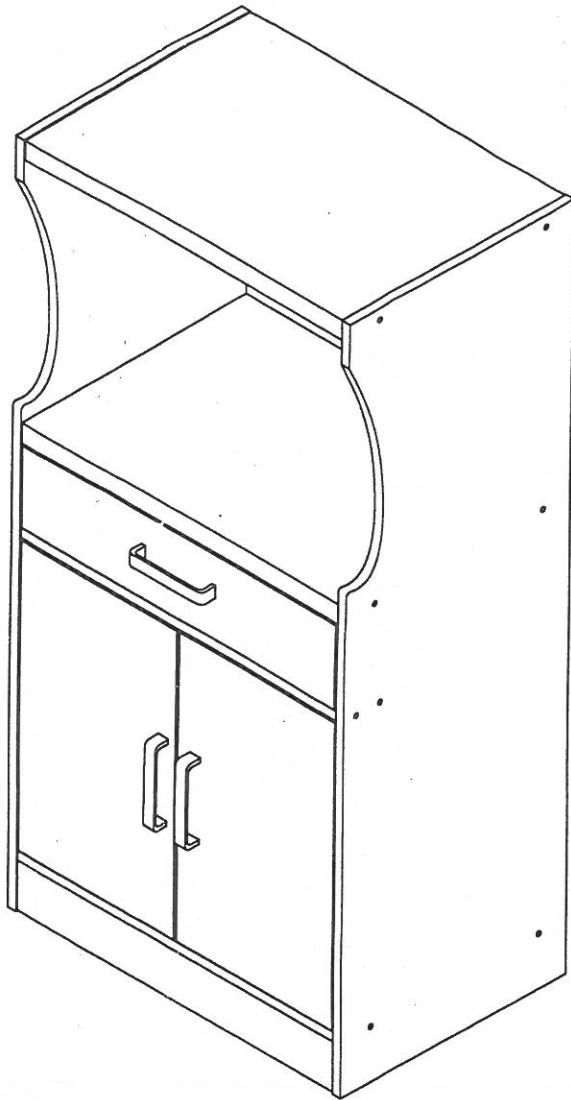
NO	DESCRIPTION	QTY
I	JCBCW SCREW M6 x 45	16pcs
II	M4 ALLEN KEY	1pc
III	HANDLE & SCREW M3.5 x 30	3sets
IV	Q-FIT	4sets

V	CAP SMALL	16pcs
VI	SHELF SUPPORT	4pcs
VII	M8 x 30 PLASTIC DOWEL	4pcs
VIII	NAIL	40pcs
IX	SPRING DOOR SUPPORT	4pcs
X	M8 x 32 CHIPBOARD SCREW	4pcs

XI	DRAWER SLIDER & SCREW M3.5 x 12	1sets
XII	MAGNET WITH PLATE & SCREW	2sets
XIII	PVC NAIL WITH PIN	4pcs
XIV	DRAWER SUPPORT & SCREW M3.5 x 12	4sets

CAUTION:

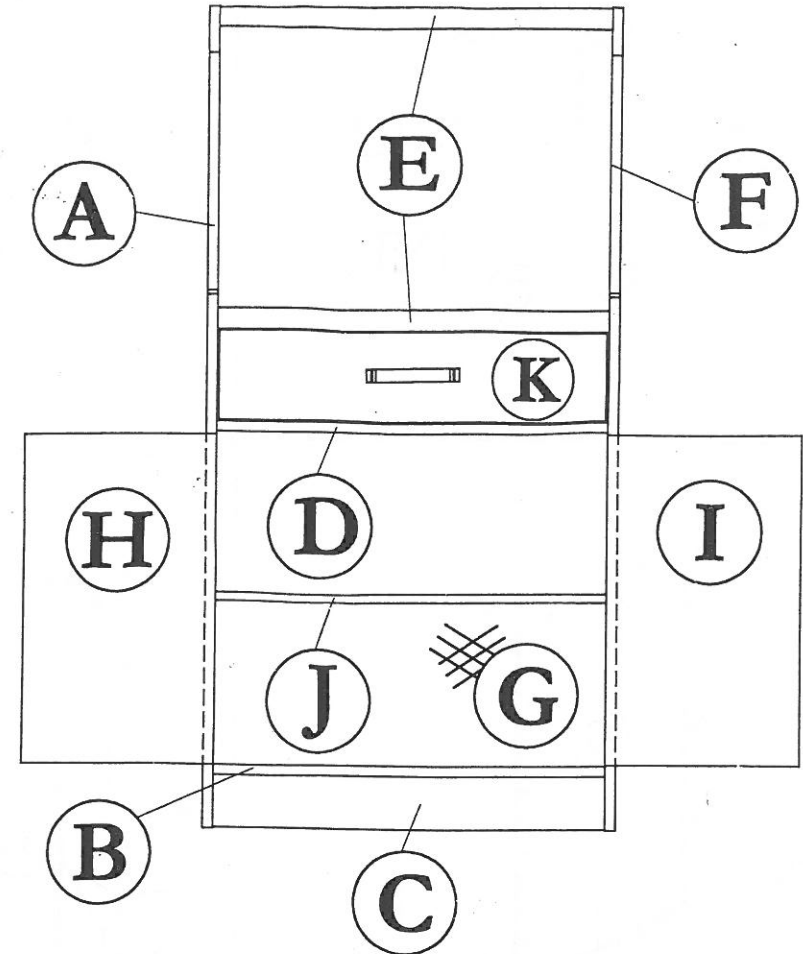
To clean use soft, dry cloth. Do not use detergent or chemicals
 Avoid contact with water and direct sunlight.
 To be assembled on a soft, dry, clean and smooth surface.



COMPLETE SET

ORDERING REPAIR PARTS

In order to obtain smooth and rapid service when ordering repair parts, please give full attention to the following of PART NUMBER.



NO	DESCRIPTION	QTY
A	LEFT SIDE	01
B	LOWER SHELF	01
C	LEG	01
D	CENTRE SHELF	01
E	SHELF	02
F	RIGHT SIDE	01

NO	DESCRIPTION	QTY
G	BACK	02
H	LEFT SIDE DOOR	01
I	RIGHT SIDE DOOR	01
J	MOVABLE SHELF	01
K	DRAWER FACE	01