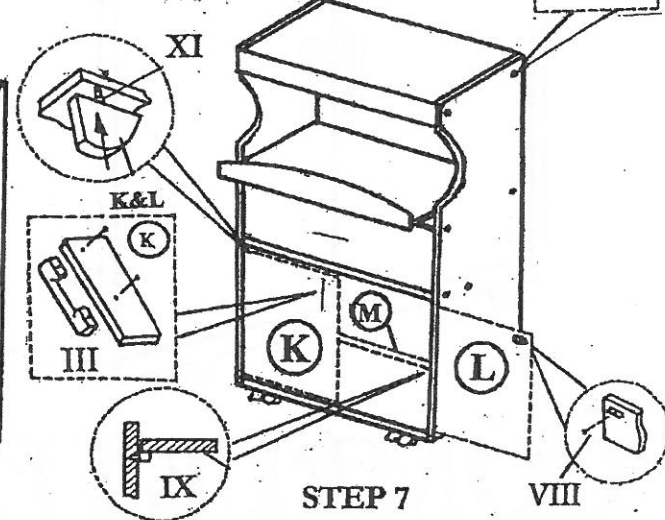
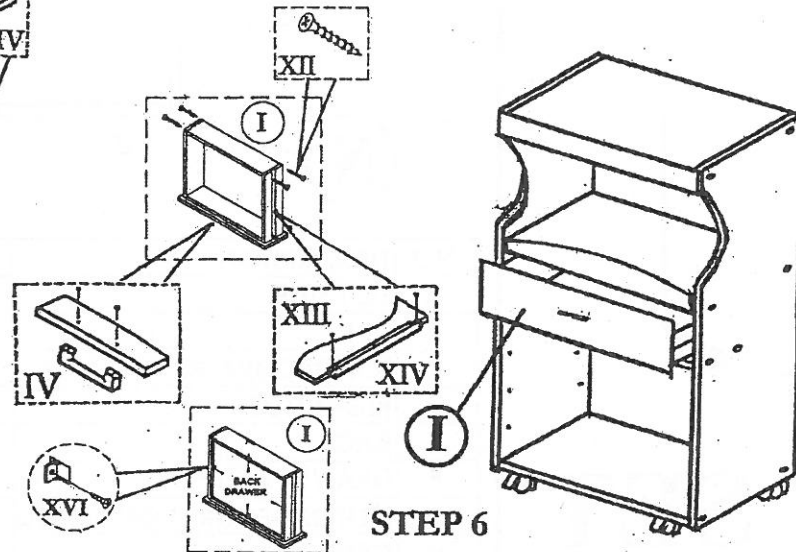
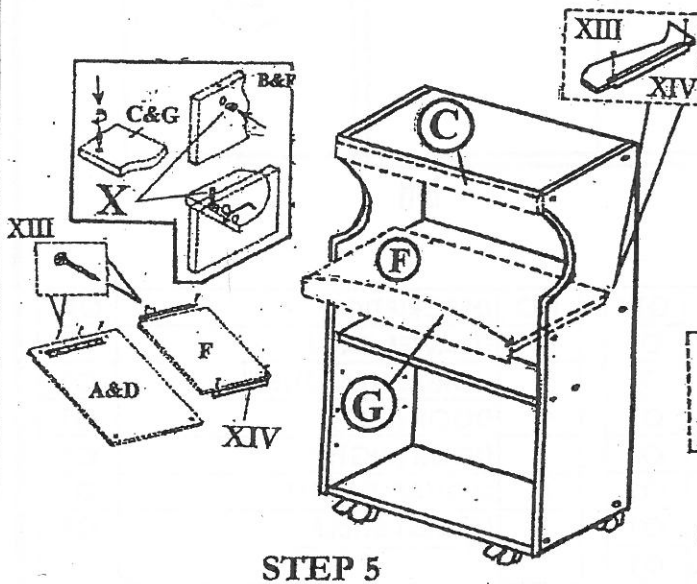
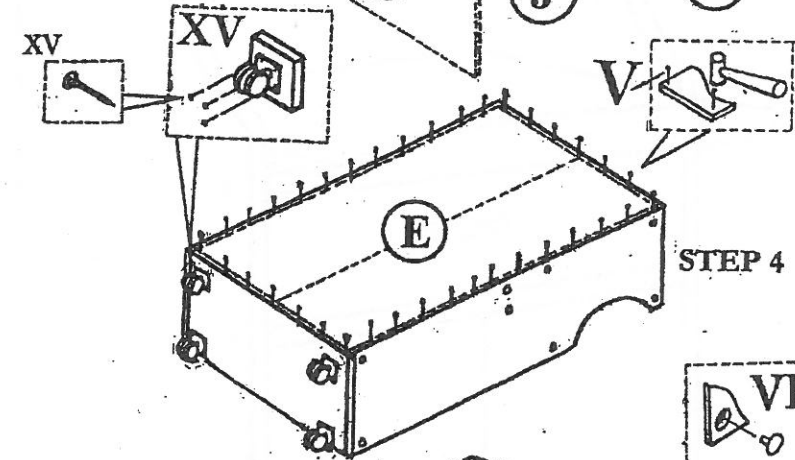
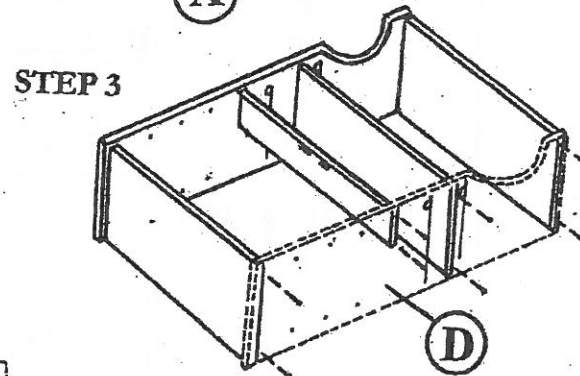
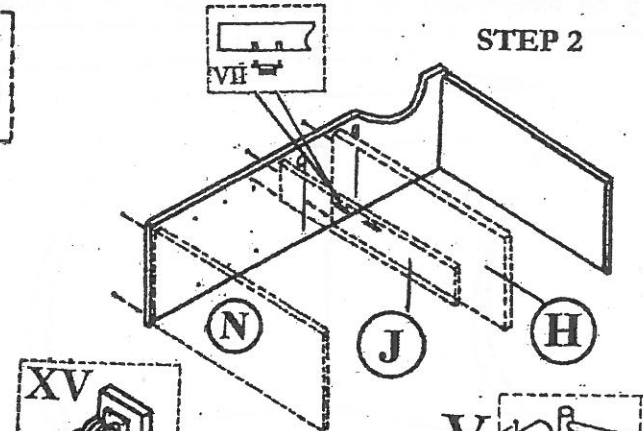
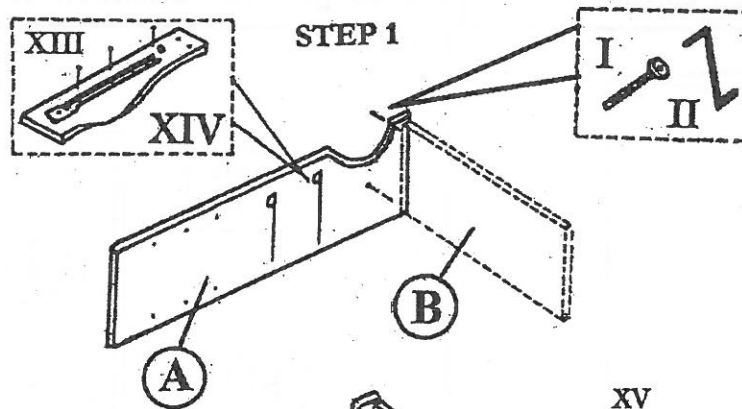


ASSEMBLY INSTRUCTION

MODEL: 8577 / KITCHEN CABINET

Before you begin, please follow assembly instruction carefully. Then follow them step by step.

HARDWARE		LIST	
NO	DESCRIPTION		QTY
I	JCBCW SCREW M6 x 45		16pcs
II	ALLEN KEY		1pc
III	HANDLE & SCREW M3.5 x 30		2sets
IV	HANDLE & SCREW M3.5 x 30		1set
V	NAIL		50pcs
VI	CAP SMALL		16pcs
VII	MAGNET		2pcs
VIII	METAL PLATE WITH SCREW		2sets
IX	PVC SHELF SUPPORT		4pcs
X	Q-FIT		8sets
XI	SPRING DOOR SUPPORT		4pcs
XII	M8 x 32 CHIPBOARD SCREW		4pcs
XIII	M3.5 x 12 CHIPBOARD SCREW		20pcs
XIV	METAL DRAWER SLIDER		2sets
XV	ROLLER & SCREW M3.5 x 12		4sets
XVI	DRAWER SUPPORT & SCREW M3.5 x 12		4sets

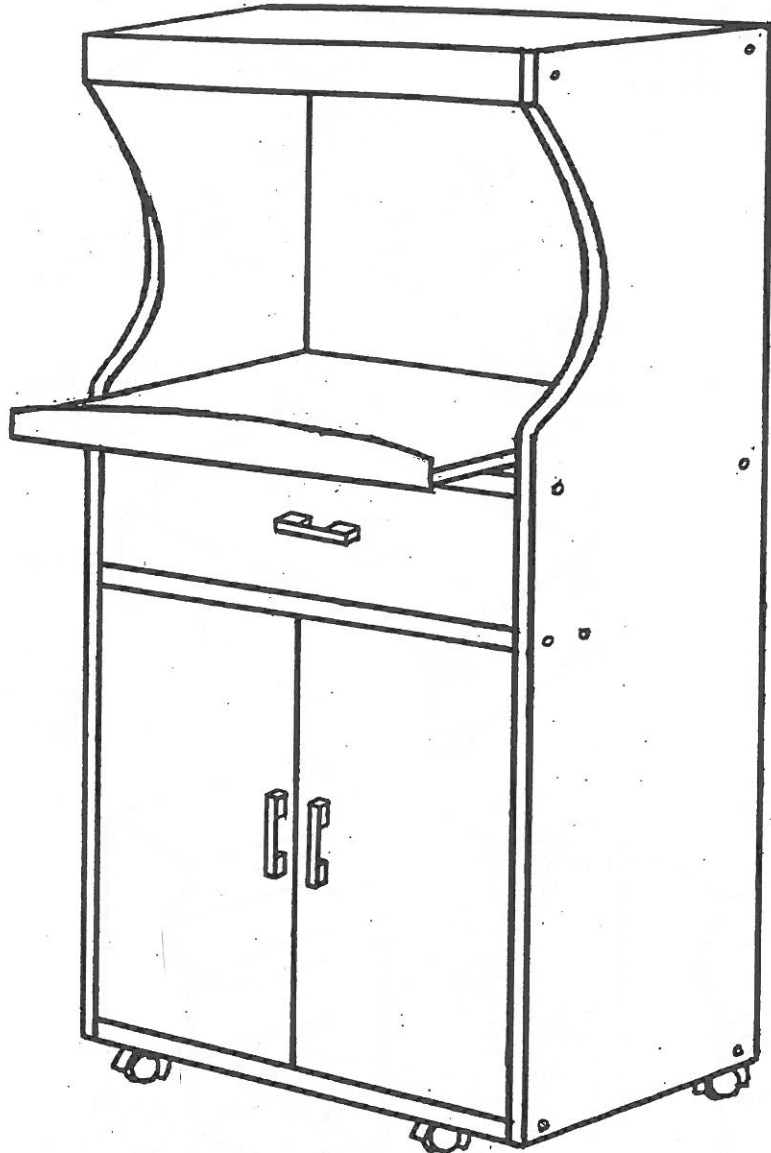


CAUTION :

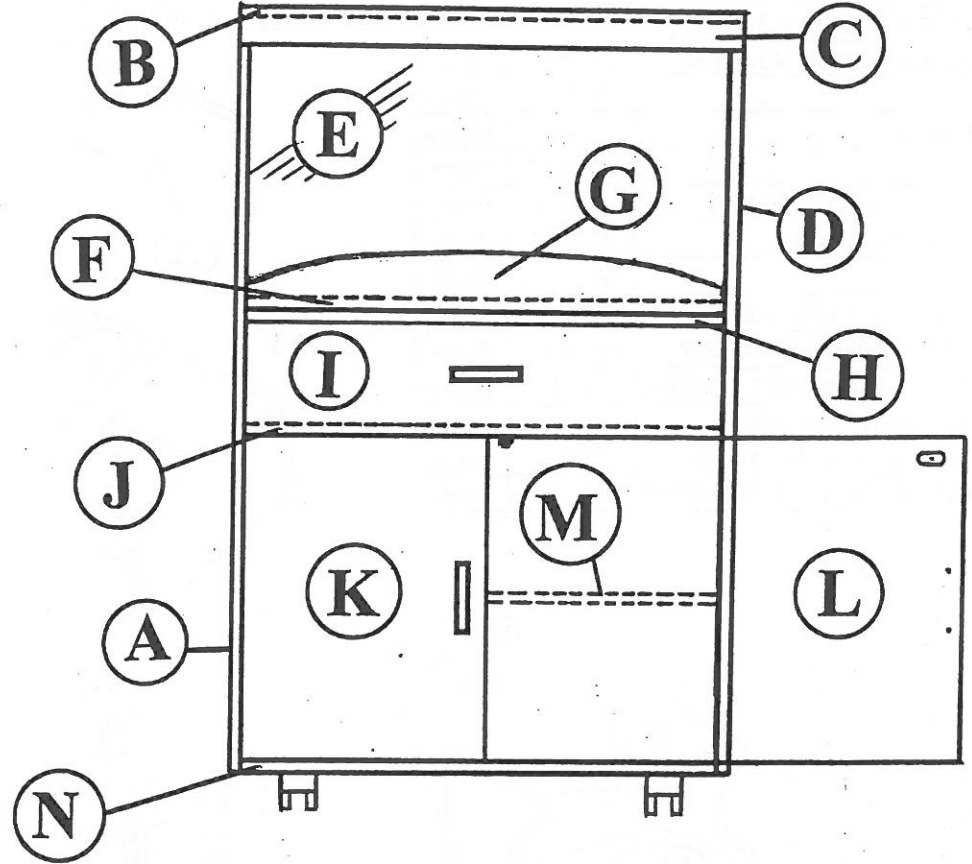
To clean use soft, dry cloth. Do not use detergent or chemicals.
 Avoid contact with water and direct sunlight.
 To be assembled on a soft,dry,clean and smooth surface.

ORDERING REPAIR PARTS

In order to obtain smooth and rapid service when ordering repair parts,
 please give full attention to the following of PART NUMBER.



COMPLETE SET



NO	DESCRIPTION	QTY
A	LEFT SIDE	01
B	TOP	01
C	TOP DECORATION BOARD	01
D	RIGHT SIDE	01
E	BACK	02
F	DRAWER SHELF	01
G	CENTRE DECORATION BOARD	01
H	CENTRE SHELF	01

NO	DESCRIPTION	QTY
I	DRAWER FACE	01
J	HORIZONTAL SHELF	01
K	DOOR (LEFT)	01
L	DOOR (RIGHT)	01
M	MOVABLE SHELF	01
N	LOWEST SHELF	01