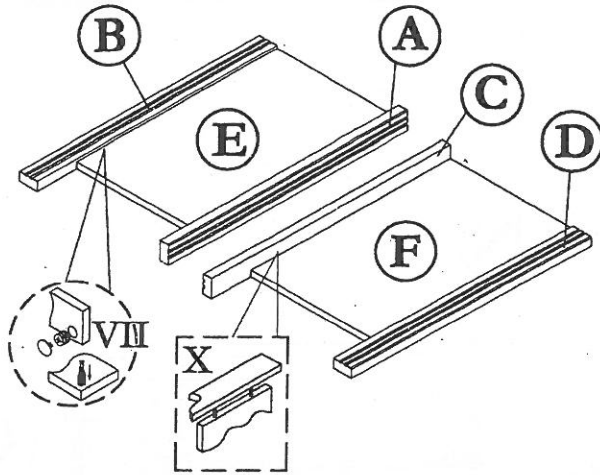


ASSEMBLY INSTRUCTION

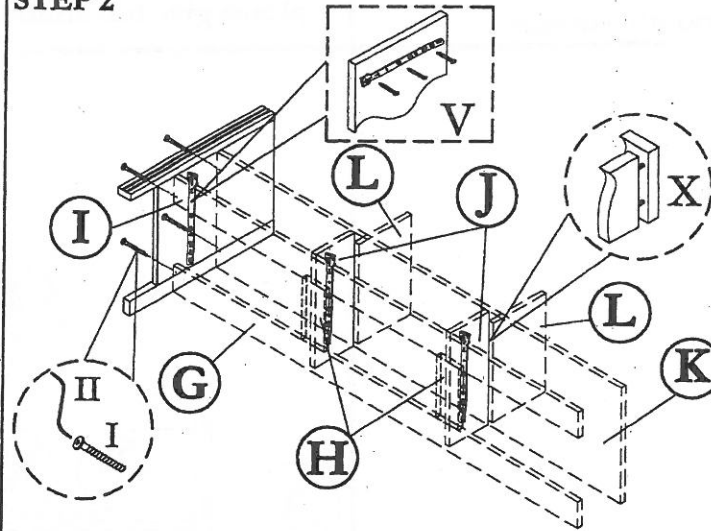
MODEL : 8123 / TV CABINET

Before you begin, please follow assembly instruction carefully.
Then follow them step by step.

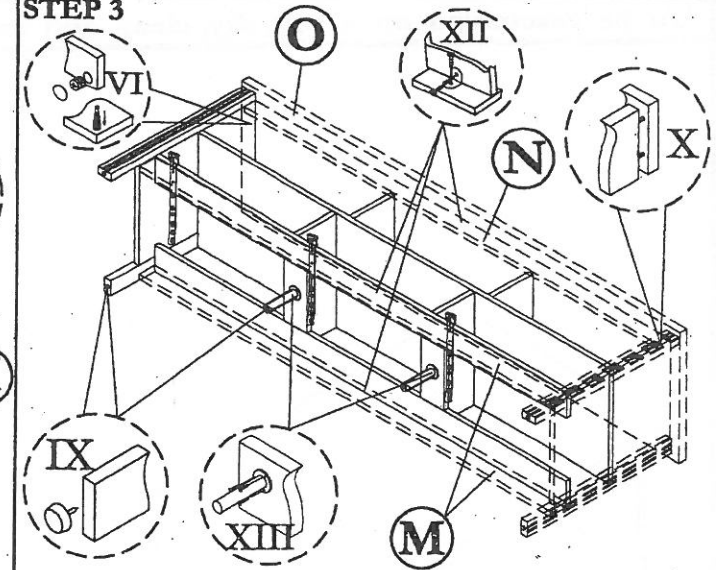
STEP 1



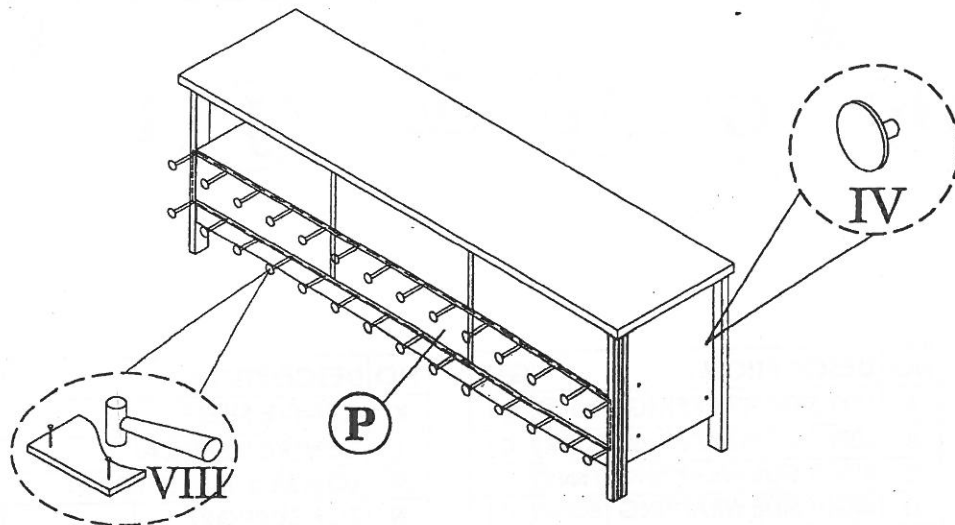
STEP 2



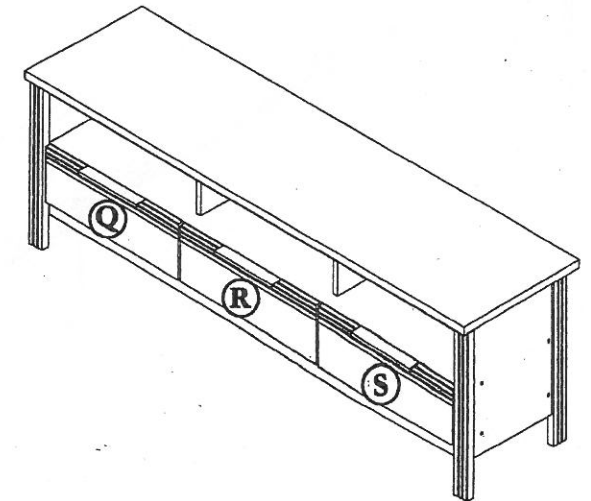
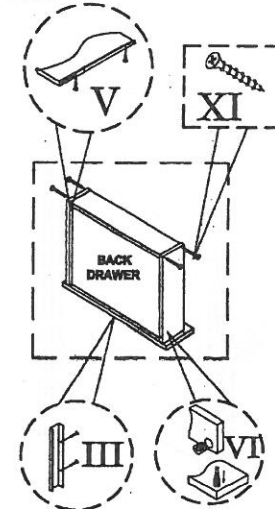
STEP 3



STEP 4



STEP 5



HARDWARE LIST

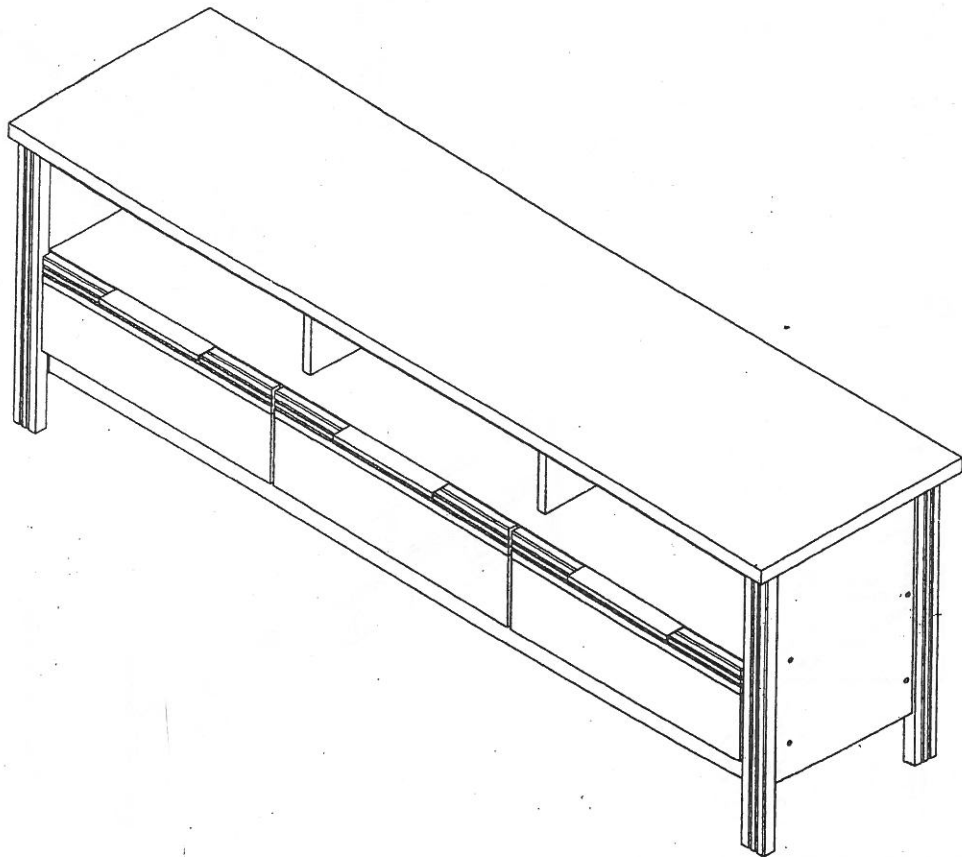
NO	DESCRIPTION	QTY
I	JCBCW SCREW M6 x 45	8pcs
II	M4 ALLEN KEY	1pc
III	HANDLE & SCREW M3.5 x 12	3sets
IV	CAP SMALL	8pcs

V	DRAWER SLIDER & SCREW M3.5 x 12	3sets
VI	Q-FIT	16sets
VII	Q-FIT (small)	8sets
VIII	NAIL	30pcs
IX	PVC NAIL WITH PIN	6pcs
X	M8 x 30 PLASTIC DOWEL	42pcs

XI	M8 X 32 CHIPBOARD SCREW	12pcs
XII	L BRACKET & SCREW M3.5 x 12	3sets
XIII	PLASTIC LEG & SCREW M3.5 x 16	2sets

CAUTION:

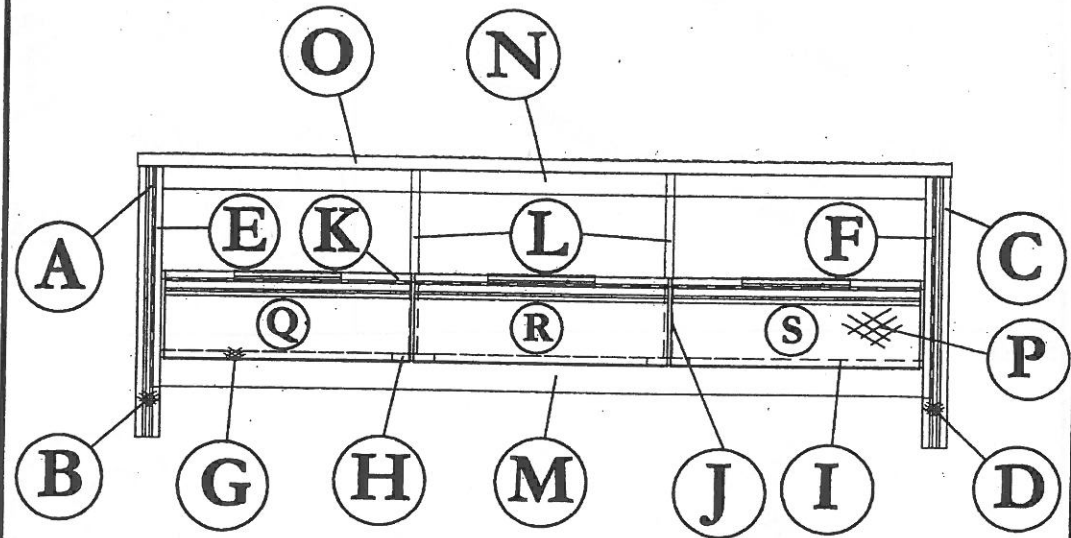
To clean use soft, dry cloth. Do not use detergent or chemicals
 Avoid contact with water and direct sunlight.
 To be assembled on a soft, dry, clean and smooth surface.



COMPLETE SET

ORDERING REPAIR PARTS

In order to obtain smooth and rapid service when ordering repair parts, please give full attention to the following of PART NUMBER.



NO	DESCRIPTION	QTY
A	LEFT SIDE WRAPPING (Front)	01
B	LEFT SIDE WRAPPING (Back)	01
C	RIGHT SIDE WRAPPING (Front)	01
D	RIGHT SIDE WRAPPING (Back)	01
E	LEFT SIDE	01
F	RIGHT SIDE	01
G	LOWER SHELF (Back)	01
H	LOWER SHELF (Centre)	02
I	LOWER SHELF (Front)	01
J	CENTRE VERTICAL	02

NO	DESCRIPTION	QTY
K	CENTRE SHELF	01
L	CENTRE VERTICAL	02
M	LOWER SHELF SUPPORT	02
N	TOP SUPPORT	01
O	TOP	01
P	BACK	01
Q	DRAWER FACE (Left)	01
R	DRAWER FACE (Centre)	01
S	DRAWER FACE (Right)	01