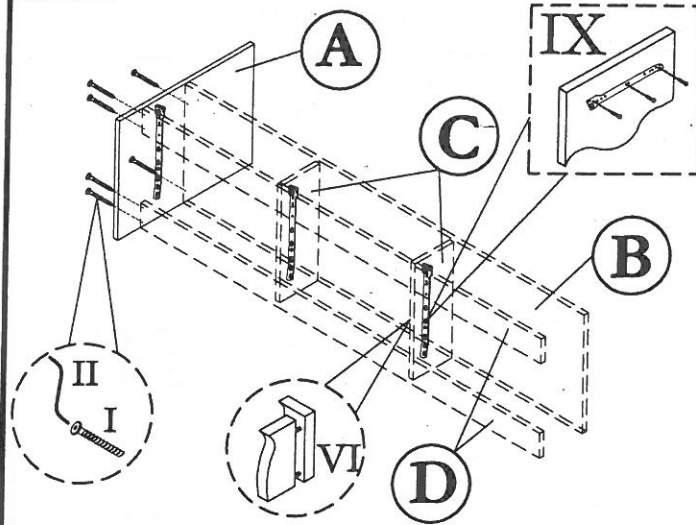


# ASSEMBLY INSTRUCTION

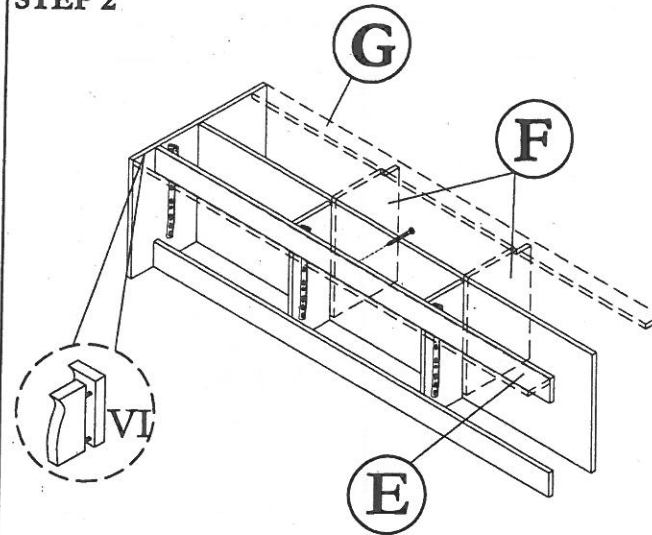
## MODEL : 8072 / TV CABINET

Before you begin, please follow assembly instruction carefully.  
Then follow them step by step.

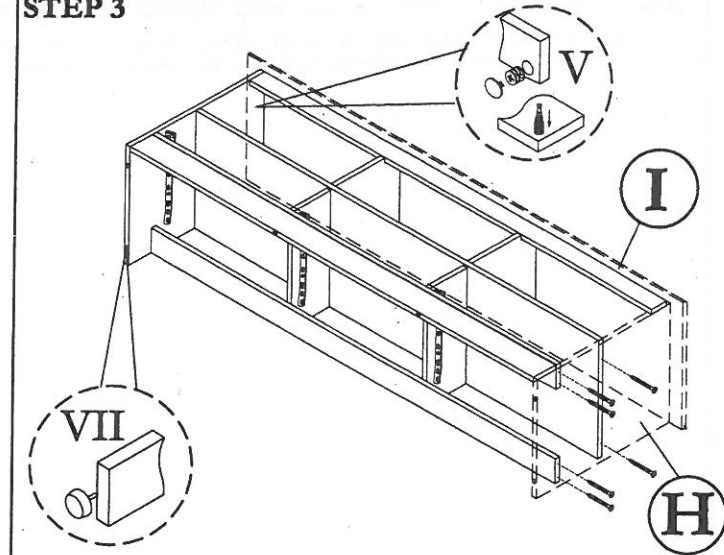
STEP 1



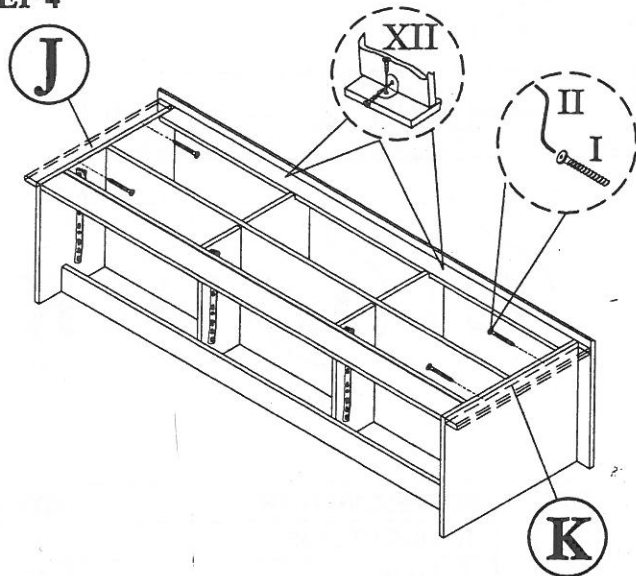
STEP 2



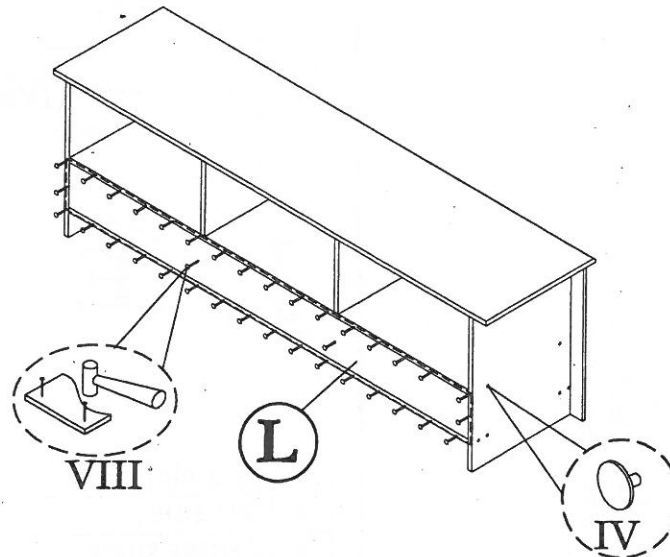
STEP 3



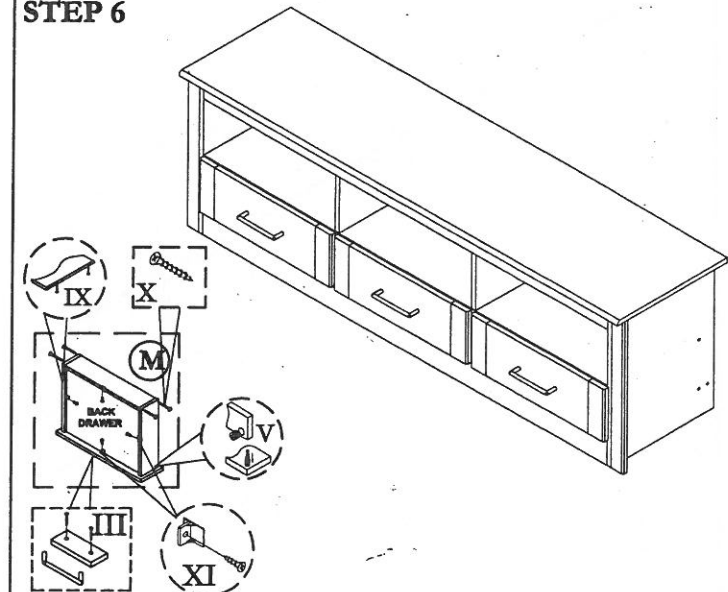
STEP 4



STEP 5



STEP 6



### HARDWARE LIST

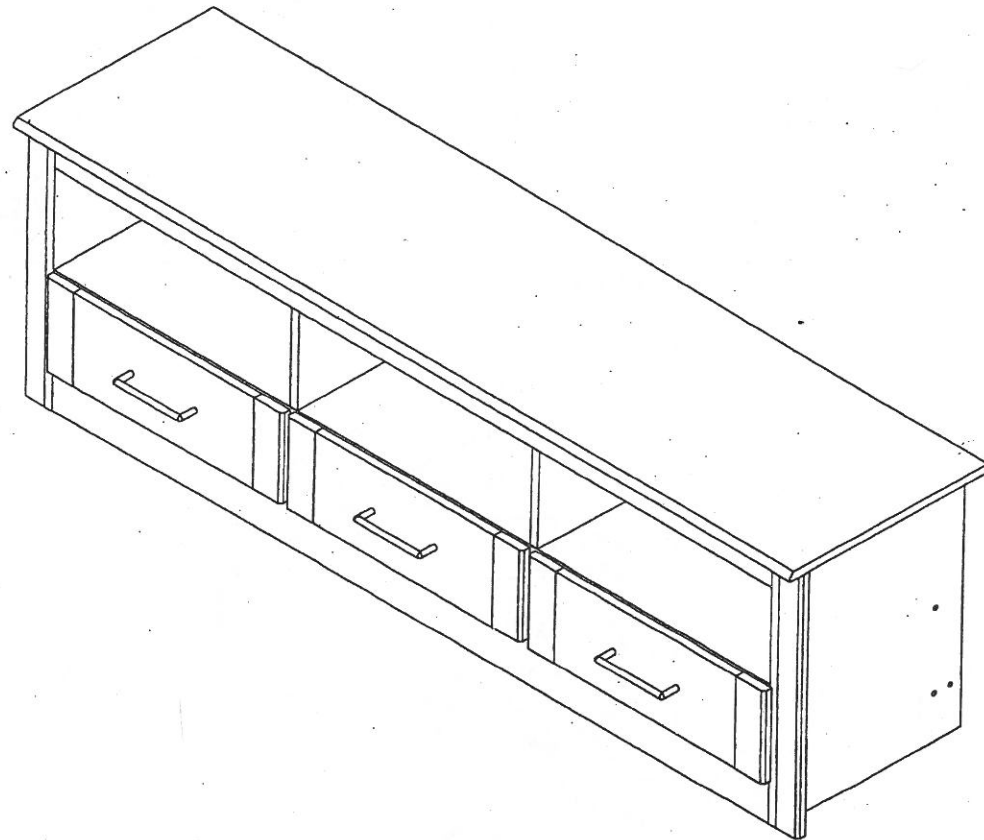
NO	DESCRIPTION	QTY
I	JCBCW SCREW M6 x 45	17pcs
II	M4 ALLEN KEY	1pc
III	HANDLE & SCREW M3.5 x 30	3sets
IV	CAP SMALL	14pcs

V	Q-FIT	16sets
VI	M8 x 30 PLASTIC DOWEL	24pcs
VII	PVC NAIL WITH PIN	6pcs
VIII	NAIL	40pcs
IX	DRAWER SLIDER & SCREW M3.5 x 12	3sets
X	M8 X 32 CHIPBOARD SCREW	12pcs

XI	DRAWER SUPPORT & SCREW M3.5 x 12	12sets
XII	L BRACKET & SCREW M3.5 x 12	2sets

**CAUTION:**

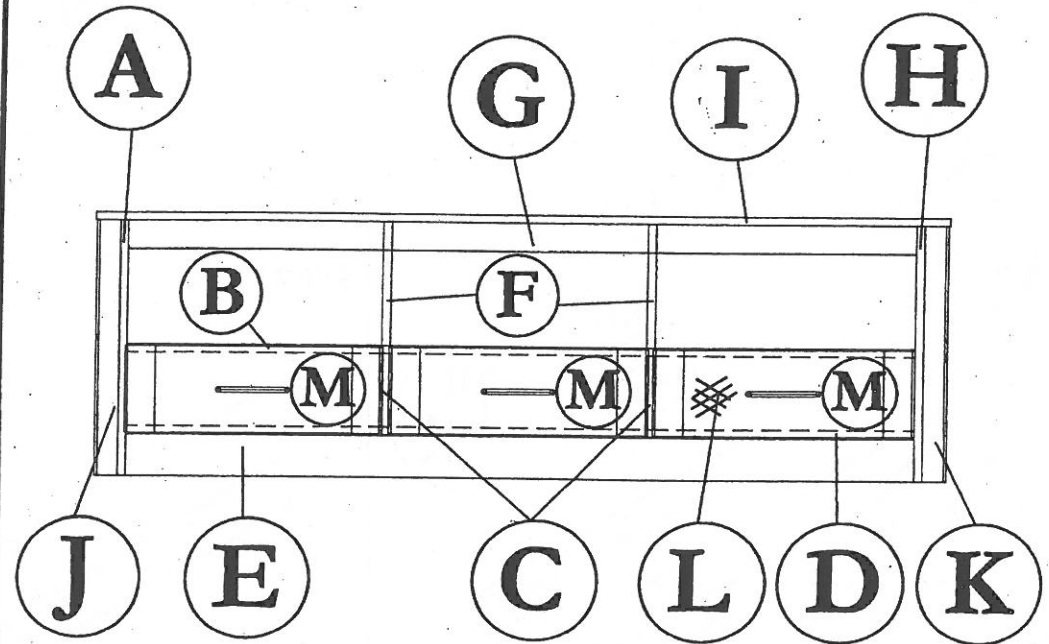
To clean use soft, dry cloth. Do not use detergent or chemicals  
Avoid contact with water and direct sunlight.  
To be assembled on a soft, dry, clean and smooth surface.



**COMPLETE SET**

**ORDERING REPAIR PARTS**

In order to obtain smooth and rapid service when ordering repair parts,  
please give full attention to the following of PART NUMBER.



NO	DESCRIPTION	QTY
A	LEFT SIDE	01
B	CENTRE SHELF	01
C	CENTRE VERTICAL (Bottom)	02
D	LOWER SHELF	02
E	LEG	01
F	CENTRE VERTICAL (Top)	02
G	TOP SUPPORT	01

NO	DESCRIPTION	QTY
H	RIGHT SIDE	01
I	TOP	01
J	LEFT SIDE WRAPPING	01
K	RIGHT SIDE WRAPPING	01
L	BACK	01
M	DRAWER FACE	03