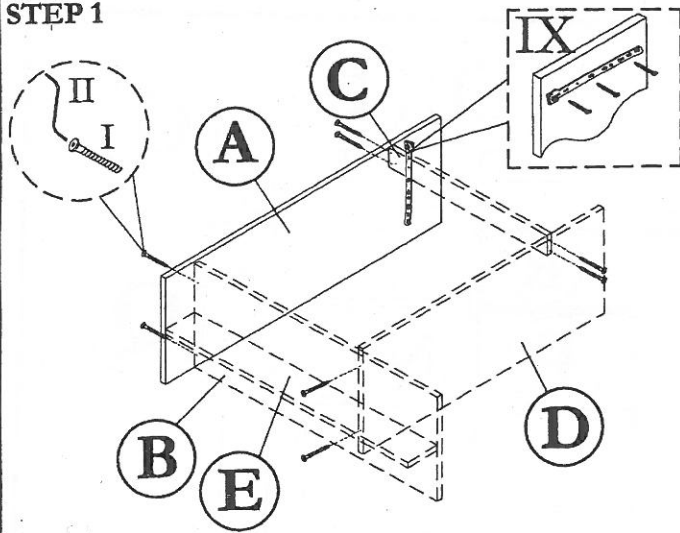


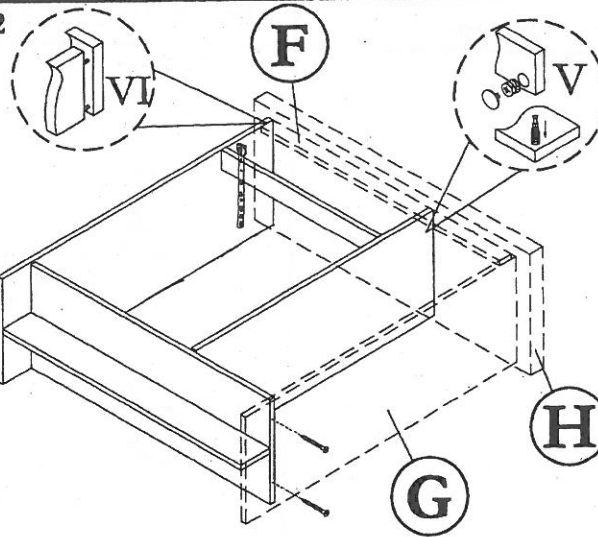
ASSEMBLY INSTRUCTION
MODEL : 7097 / SHOE RACK

Before you begin, please follow assembly instruction carefully.
 Then follow them step by step.

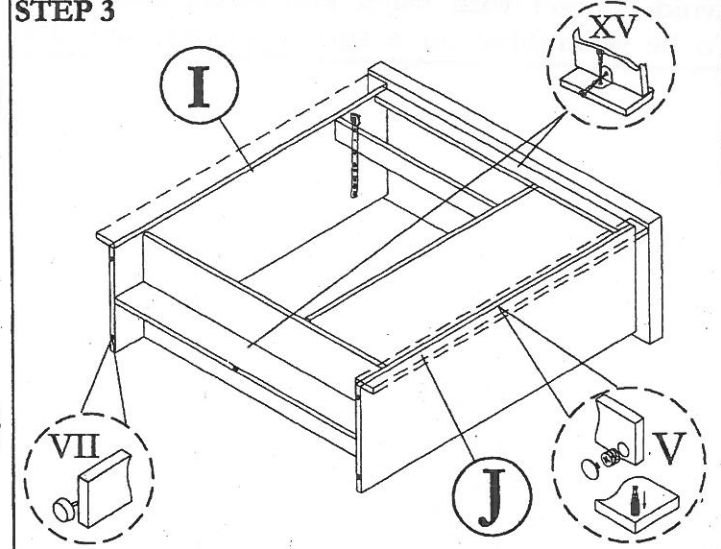
STEP 1



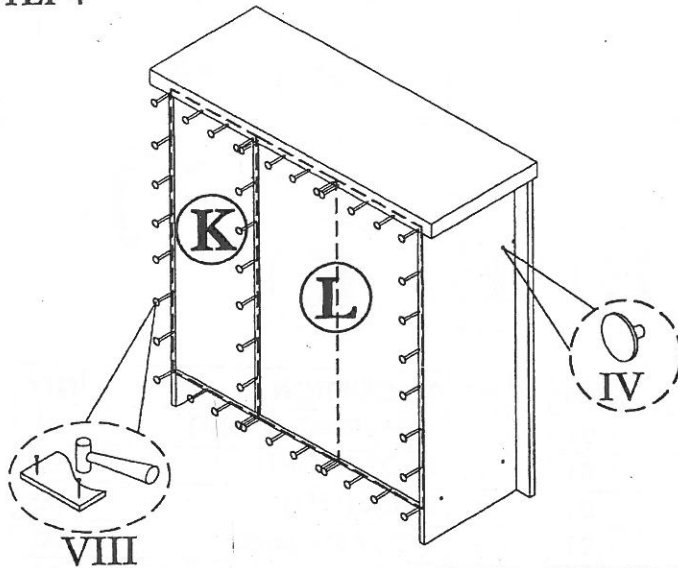
STEP 2



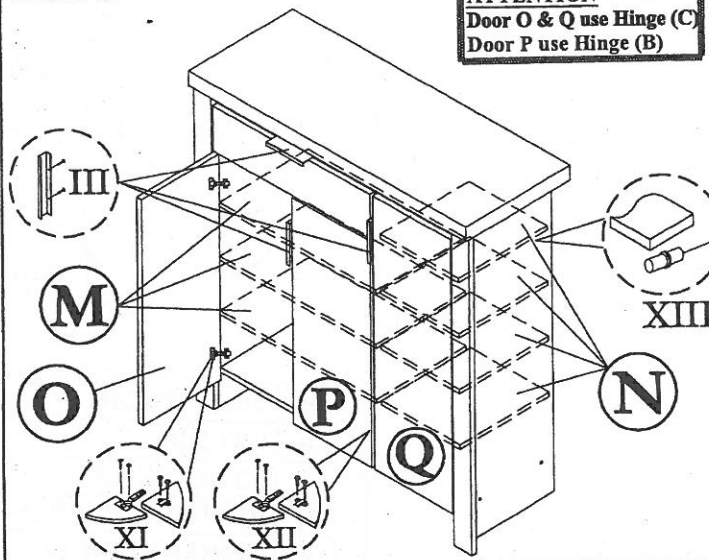
STEP 3



STEP 4

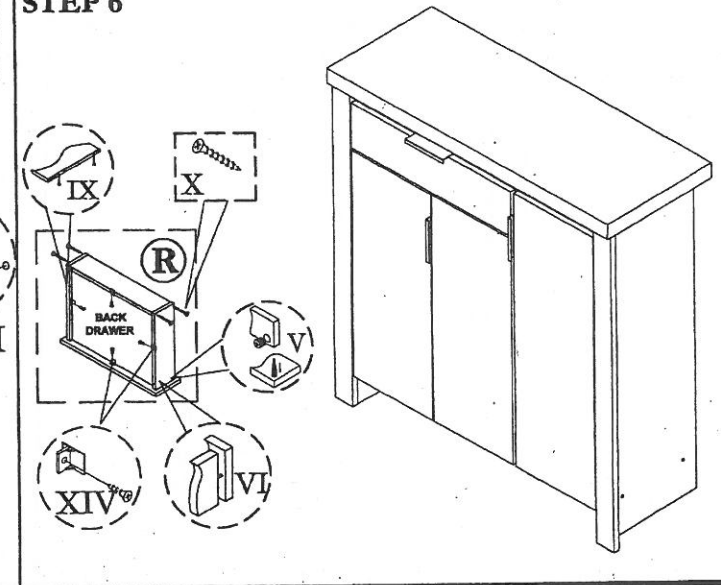


STEP 5



ATTENTION
 Door O & Q use Hinge (C)
 Door P use Hinge (B)

STEP 6



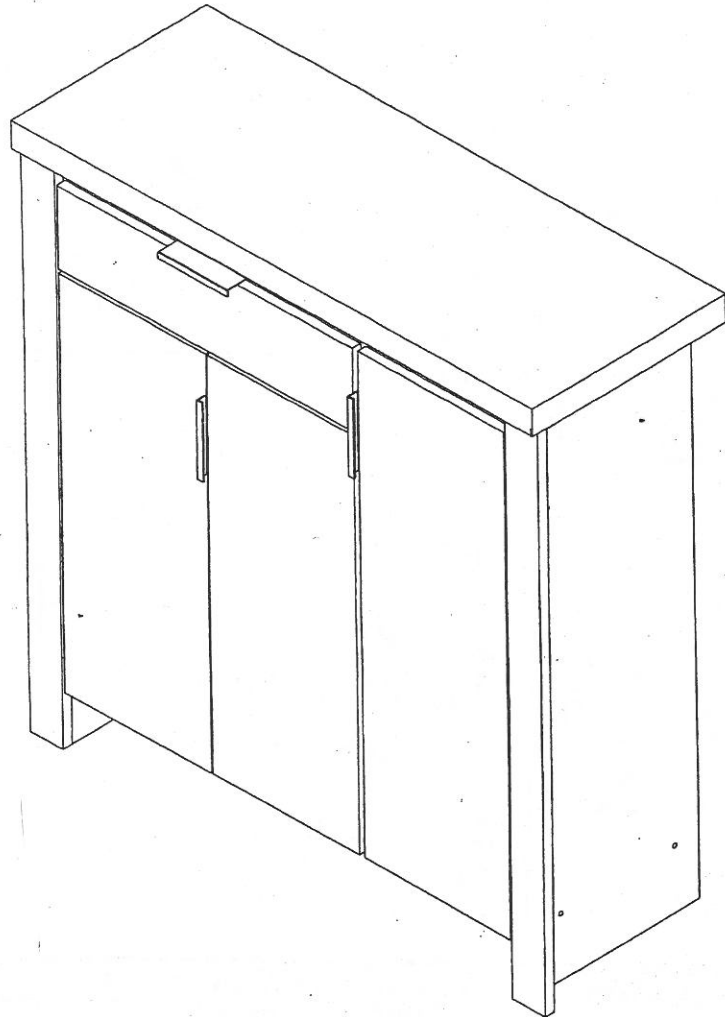
HARDWARE LIST			
NO	DESCRIPTION		QTY
I	JCBCW SCREW M6 x 45		10pcs
II	M4 ALLEN KEY		1pc
III	HANDLE & SCREW M3.5 x 12		3sets
IV	CAP SMALL		6pcs

V	Q-FIT		12sets
VI	M8 x 30 PLASTIC DOWEL		10pcs
VII	PVC NAIL WITH PIN		5pcs
VIII	NAIL		50pcs
IX	DRAWER SLIDER & SCREW M3.5 x 12		1sets
X	M8 X 32 CHIPBOARD SCREW		4pcs

XI	HINGE (C) & SCREW M3.5 x 16		4sets
XII	HINGE (B) & SCREW M3.5 x 16		2sets
XIII	SHELF SUPPORT		28pcs
XIV	DRAWER SUPPORT & SCREW M3.5 x 12		4sets
XV	L BRACKET & SCREW M3.5 x 12		2sets

CAUTION:

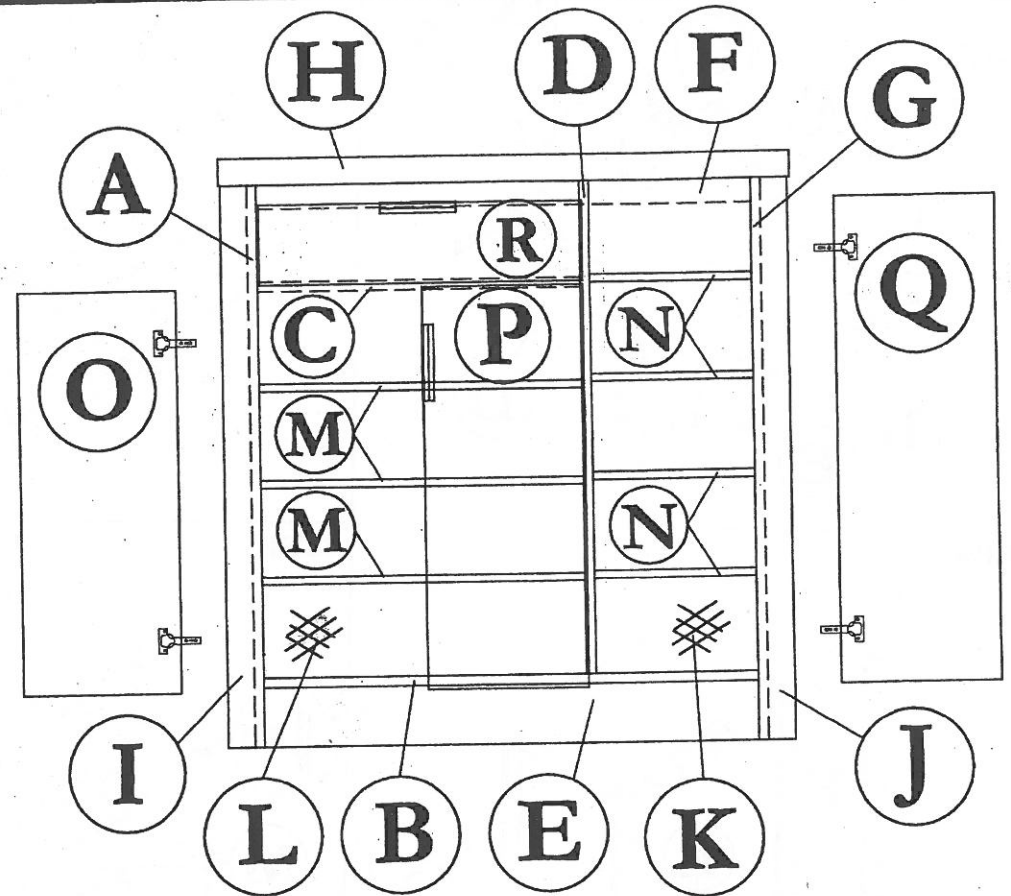
To clean use soft, dry cloth. Do not use detergent or chemicals.
 Avoid contact with water and direct sunlight.
 To be assembled on a soft, dry, clean and smooth surface.



COMPLETE SET

ORDERING REPAIR PARTS

In order to obtain smooth and rapid service when ordering repair parts, please give full attention to the following of PART NUMBER.



NO	DESCRIPTION	QTY
A	LEFT SIDE	01
B	LOWER SHELF	01
C	HORIZONTAL SHELF	01
D	CENTRE VERTICAL	01
E	LEG	01
F	TOP SUPPORT	01
G	RIGHT SIDE	01
H	TOP	01
I	WRAPPING (Left)	01

NO	DESCRIPTION	QTY
J	WRAPPING (RIGHT)	01
K	BACK (RIGHT)	01
L	BACK (LEFT)	02
M	MOVABLE SHELF	03
N	MOVABLE SHELF	04
O	LEFT SIDE DOOR	01
P	CENTRE DOOR	01
Q	RIGHT SIDE DOOR	01
R	DRAWER FACE	01