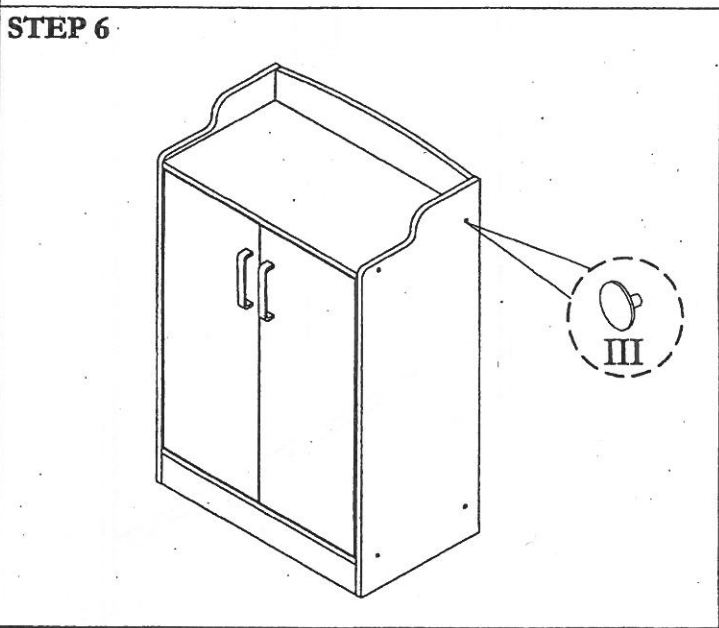
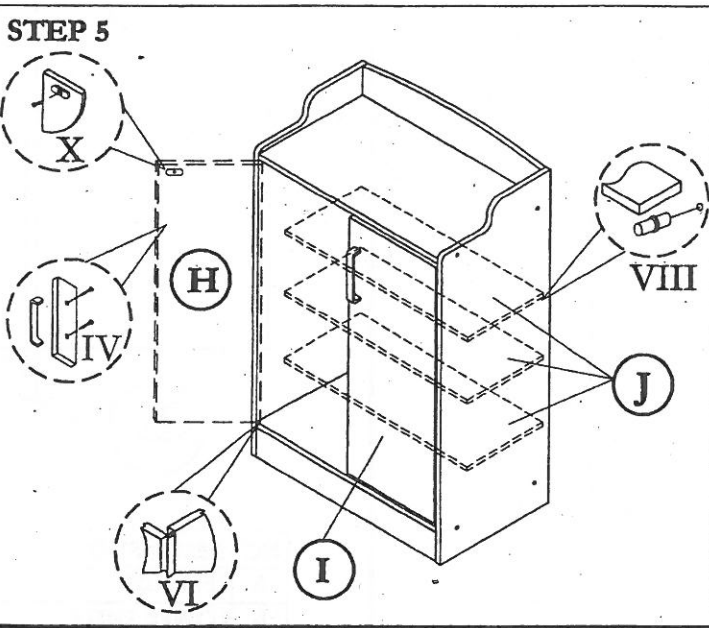
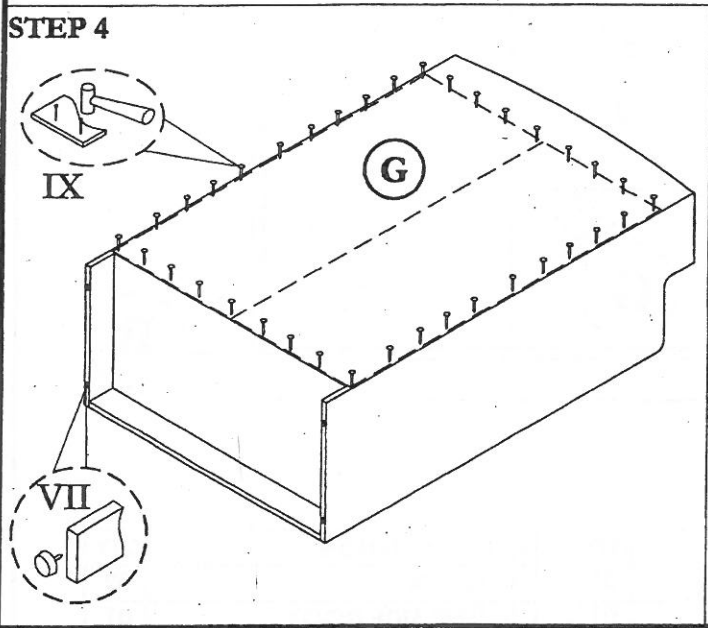
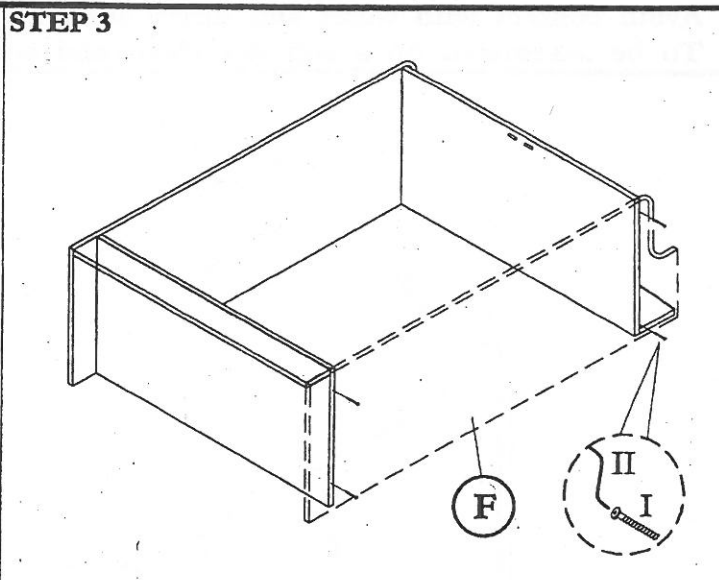
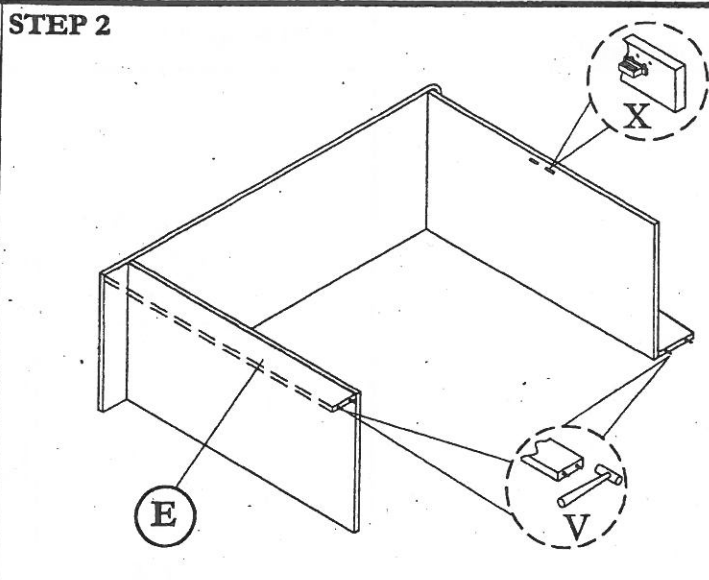
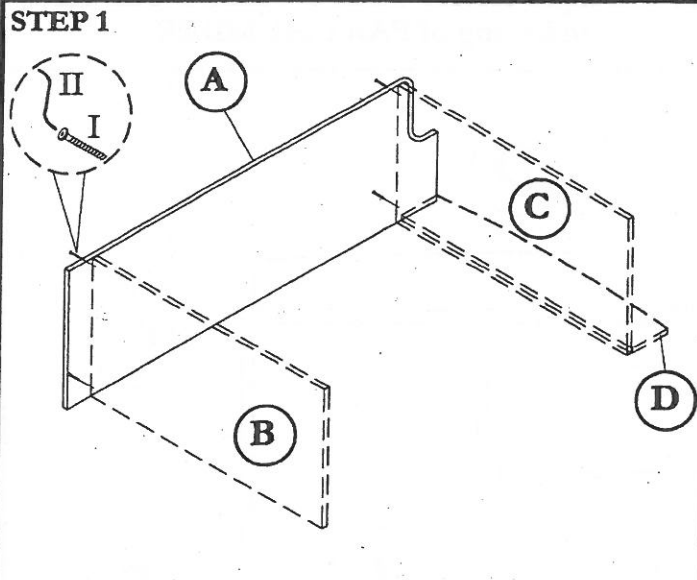


ASSEMBLY INSTRUCTION
MODEL : 7006 / SHOE RACK

Before you begin, please follow assembly instruction carefully.
 Then follow them step by step.



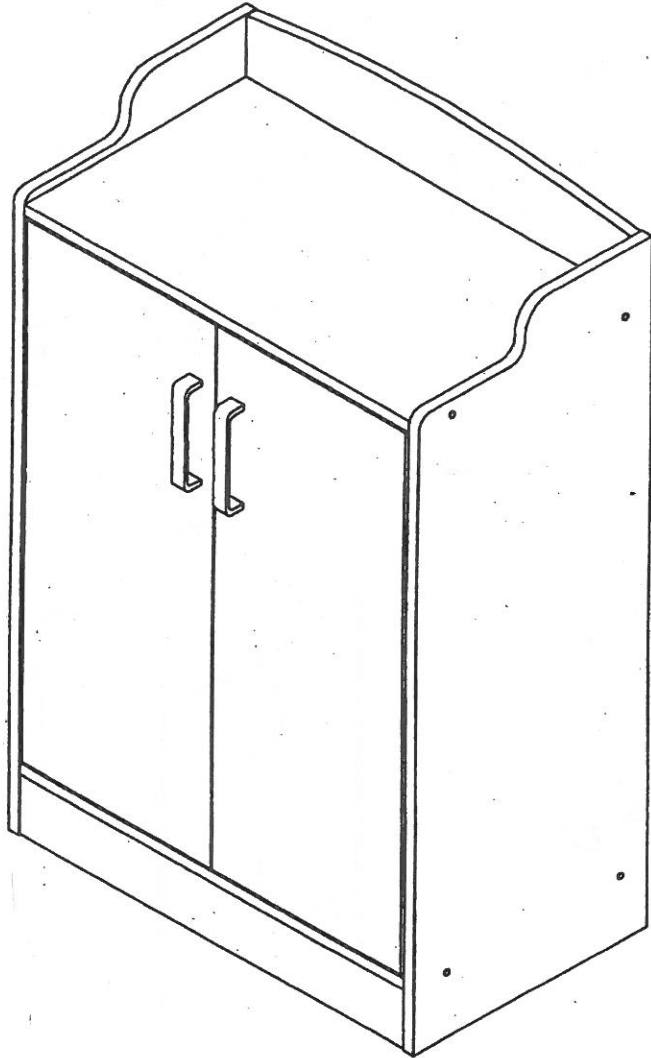
HARDWARE LIST			
NO	DESCRIPTION		QTY
I	JCBCW SCREW M6 x 45		8pcs
II	M4 ALLEN KEY		1pc
III	CAP SMALL		8pcs

IV	HANDLE & SCREW M3.5 x 30		2sets
V	M8 x 30 PLASTIC DOWEL		8pcs
VI	SPRING DOOR SUPPORT		4pcs
VII	PVC NAIL WITH PIN		4pcs
VIII	PVC SHELF SUPPORT		12pcs

IX	NAIL		40pcs
X	MAGNET WITH PLATE & SCREW		2pcs

CAUTION:

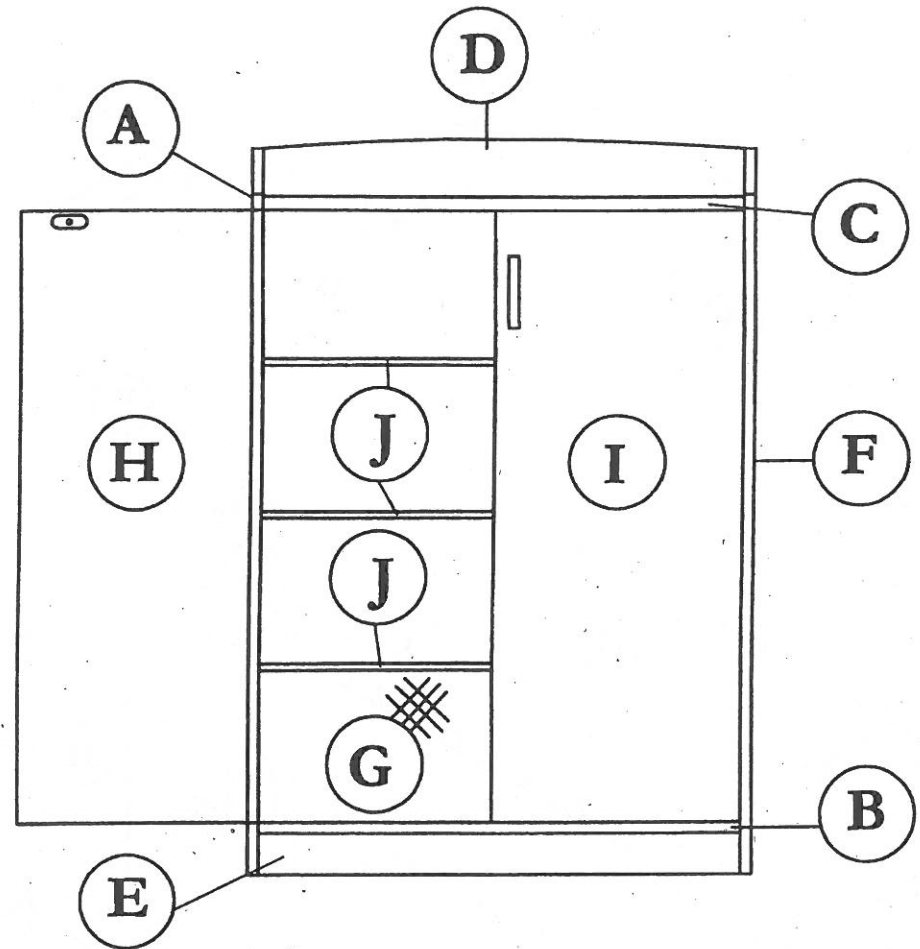
To clean use soft, dry cloth. Do not use detergent or chemicals
Avoid contact with water and direct sunlight.
To be assembled on a soft, dry, clean and smooth surface.



COMPLETE SET

ORDERING REPAIR PARTS

In order to obtain smooth and rapid service when ordering repair parts, please give full attention to the following of PART NUMBER.



NO	DESCRIPTION	QTY
A	LEFT SIDE	01
B	LOWER SHELF	01
C	UPPER SHELF	01
D	HORIZONTAL SHELF	01
E	LEG	01
F	RIGHT SIDE	01

NO	DESCRIPTION	QTY
G	BACK	02
H	LEFT SIDE DOOR	01
I	RIGHT SIDE DOOR	01
J	MOVABLE SHELF	03