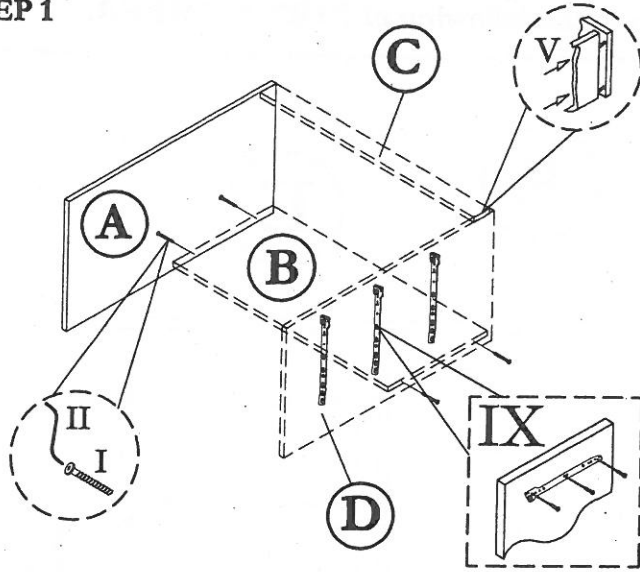


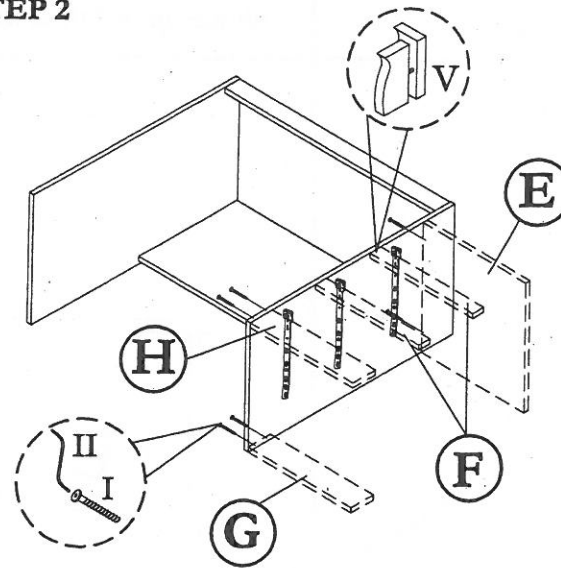
ASSEMBLY INSTRUCTION
MODEL : 6013 / OFFICE TABLE

Before you begin, please follow assembly instruction carefully.
 Then follow them step by step.

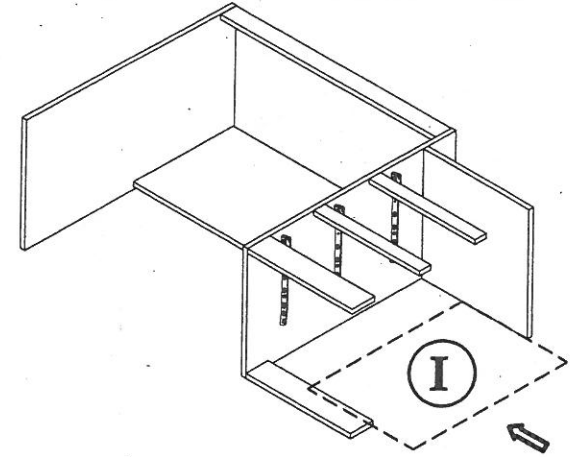
STEP 1



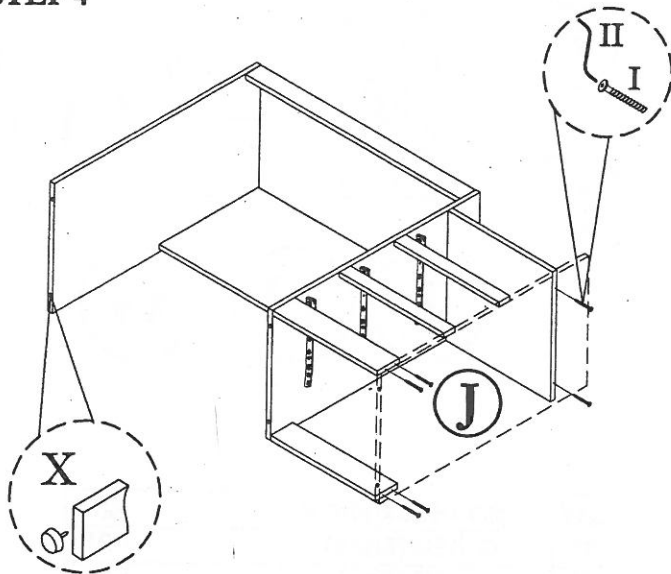
STEP 2



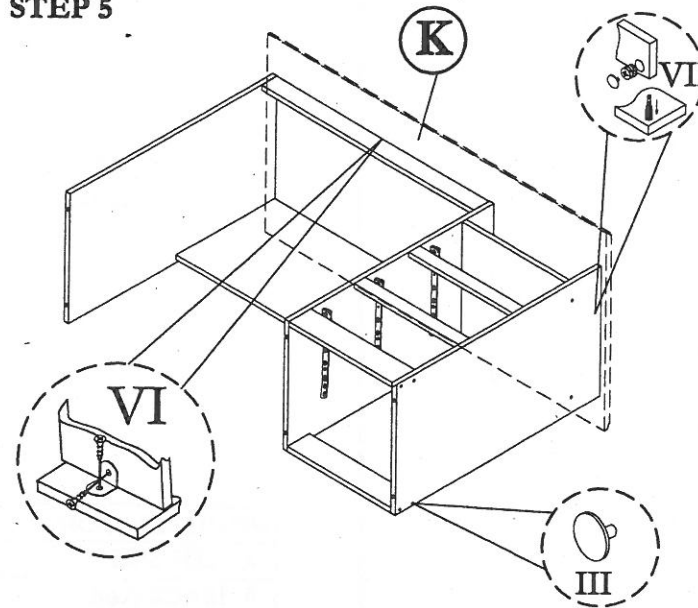
STEP 3



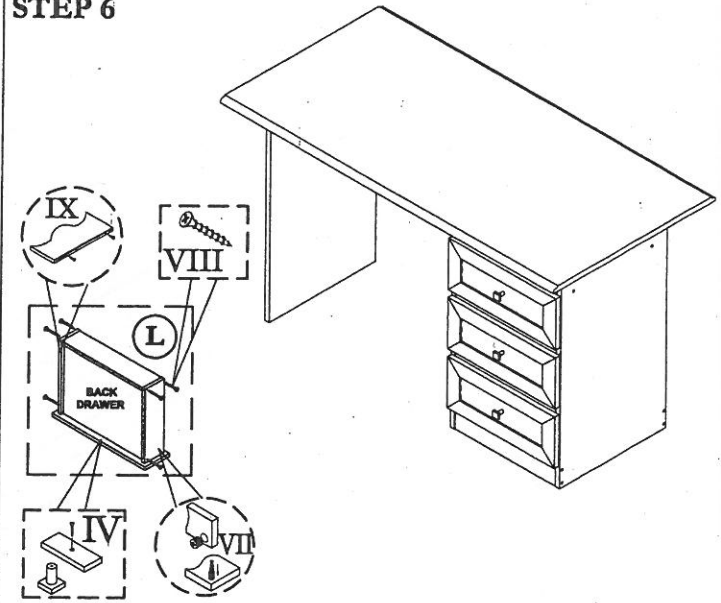
STEP 4



STEP 5



STEP 6



HARDWARE LIST

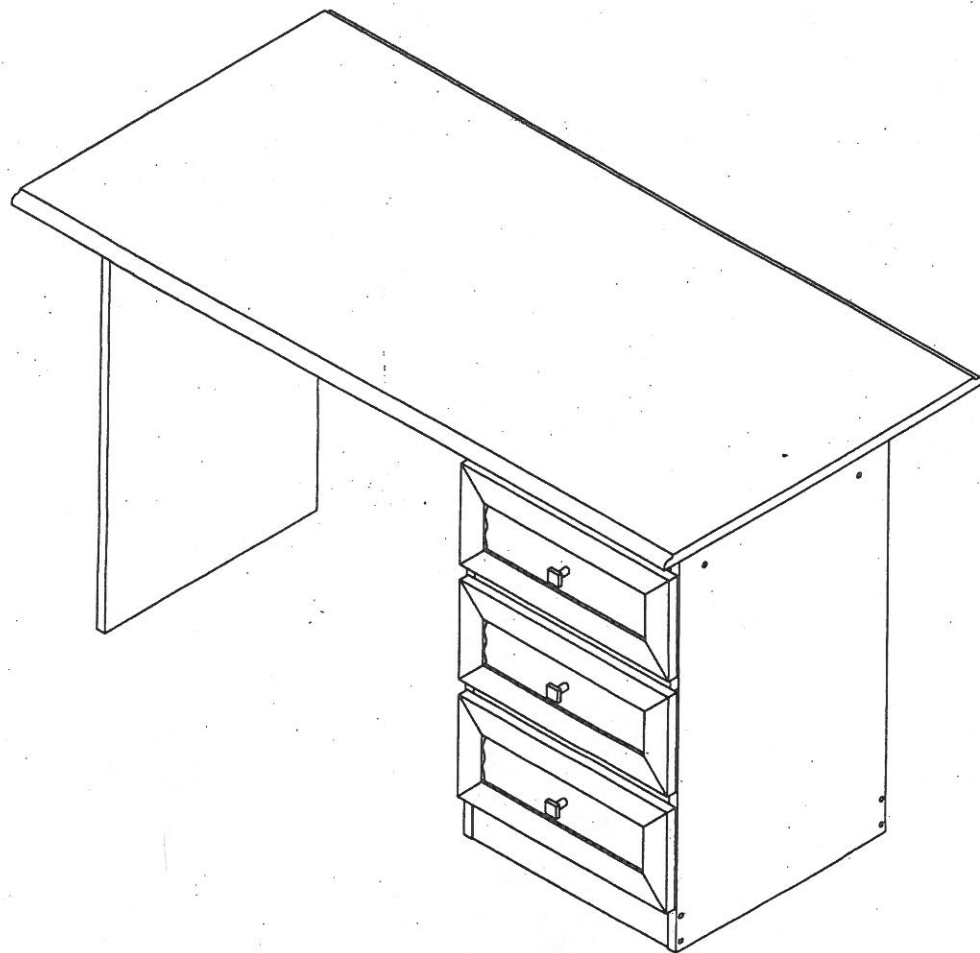
| NO | DESCRIPTION | QTY |
|-----|---------------------|-------|
| I | JCBCW SCREW M6 x 45 | 16pcs |
| II | M4 ALLEN KEY | 1pc |
| III | CAP SMALL | 15pcs |

| | | |
|------|-----------------------------|--------|
| IV | HANDLE & SCREW M4 x 25 | 3sets |
| V | M8 x 30 PLASTIC DOWEL | 8pcs |
| VI | L BRACKET & SCREW M3.5 x 12 | 1sets |
| VII | Q-FIT | 18sets |
| VIII | M8 x 32 CHIPBOARD SCREW | 18pcs |

| | | |
|----|---------------------------------|-------|
| IX | DRAWER SLIDER & SCREW M3.5 x 12 | 3sets |
| X | PVC NAIL WITH PIN | 6pcs |

CAUTION:

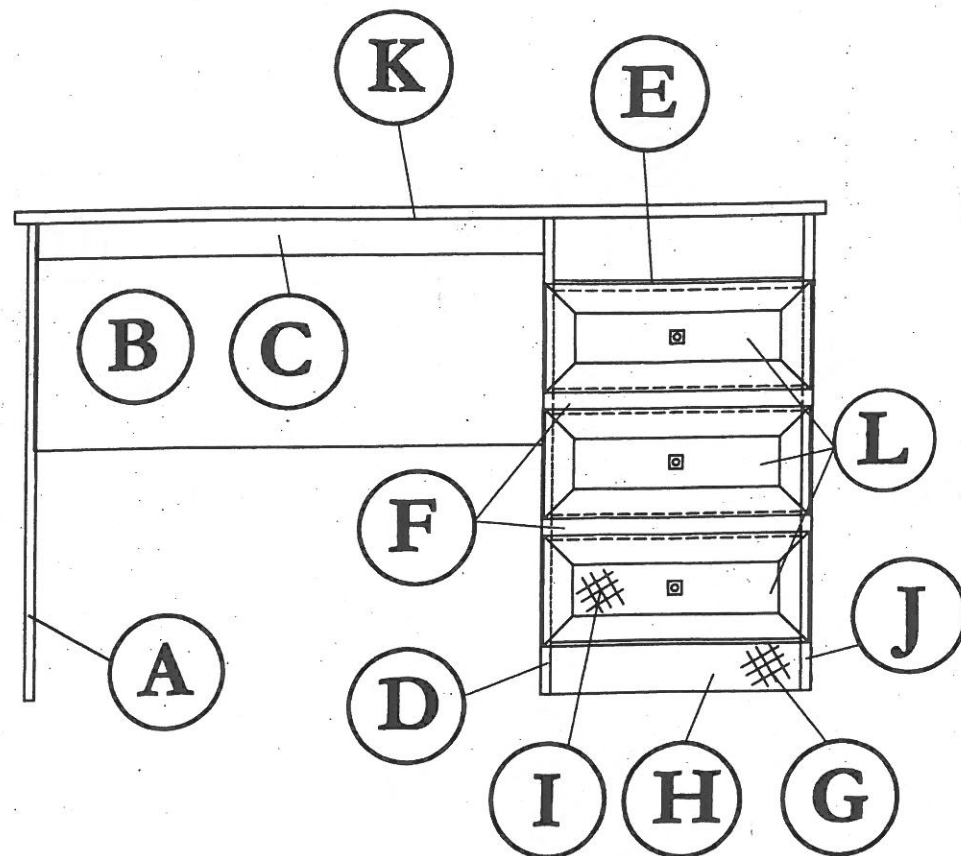
To clean use soft, dry cloth. Do not use detergent or chemicals
Avoid contact with water and direct sunlight.
To be assembled on a soft, dry, clean and smooth surface.



COMPLETE SET

ORDERING REPAIR PARTS

In order to obtain smooth and rapid service when ordering repair parts,
please give full attention to the following of PART NUMBER.



| NO | DESCRIPTION | QTY |
|----|-----------------|-----|
| A | LEFT SIDE | 01 |
| B | BACK (Left) | 01 |
| C | TOP SUPPORT | 01 |
| D | CENTRE VERTICAL | 01 |
| E | CENTRE SHELF | 01 |
| F | SHELF SUPPORT | 02 |

| NO | DESCRIPTION | QTY |
|----|--------------|-----|
| G | LEG (Back) | 01 |
| H | LEG (Front) | 01 |
| I | BACK (Right) | 01 |
| J | RIGHT SIDE | 01 |
| K | TABLE TOP | 01 |
| L | DRAWER FACE | 01 |