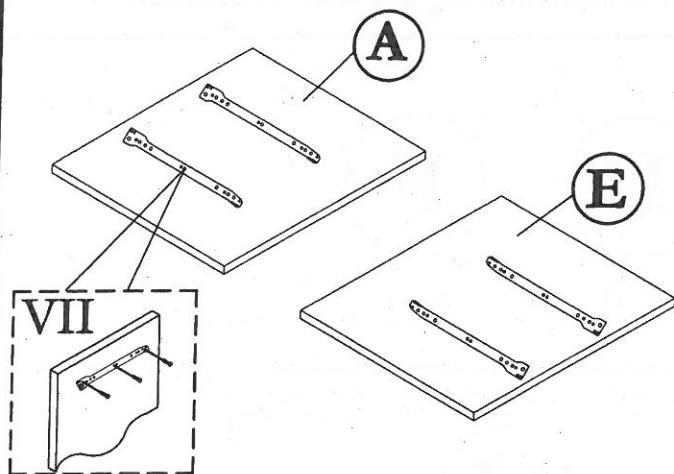


# ASSEMBLY INSTRUCTION

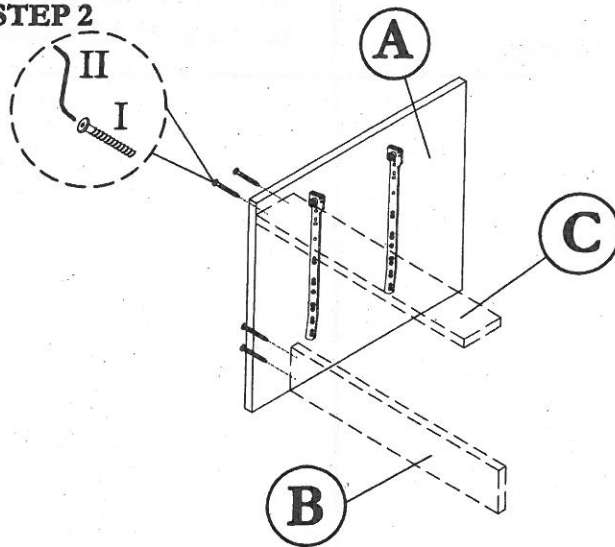
## MODEL : 5068 / SIDE TABLE

Before you begin, please follow assembly instruction carefully.  
Then follow them step by step.

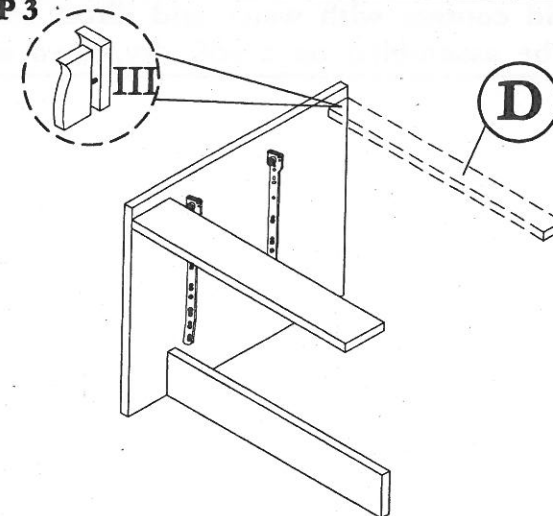
### STEP 1



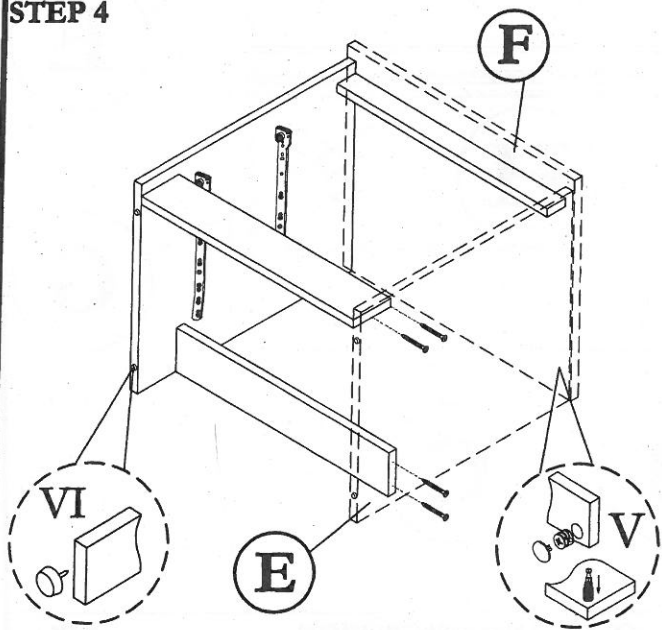
### STEP 2



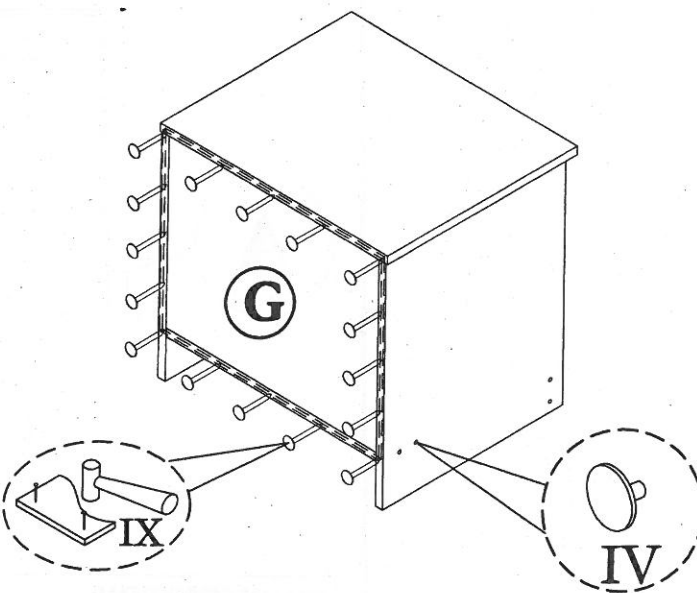
### STEP 3



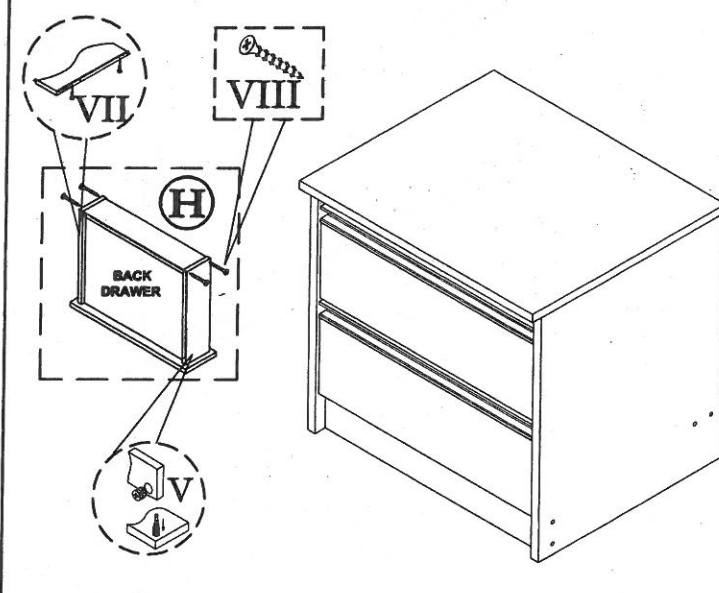
### STEP 4



### STEP 5



### STEP 6



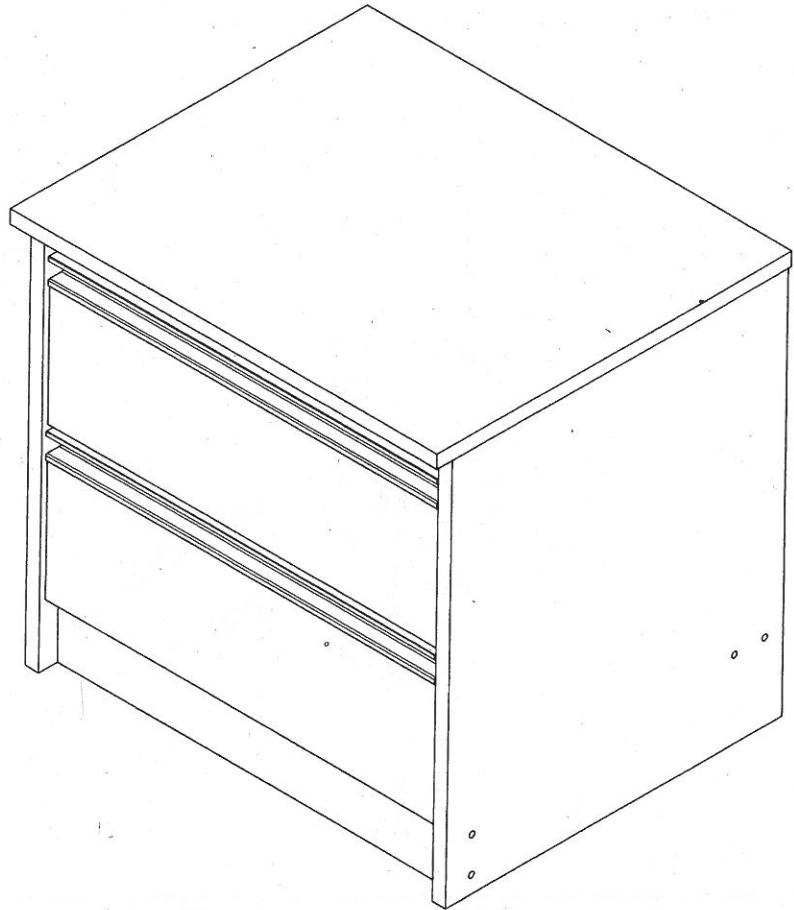
HARDWARE LIST			
NO	DESCRIPTION		QTY
I	JCBCW SCREW M6 x 45		8pcs
II	M4 ALLEN KEY		1pc
III	M8 x 30 PLASTIC DOWEL		2pcs

IV	CAP SMALL		8pcs
V	Q-FIT		12sets
VI	PVC NAIL WITH PIN		4pcs
VII	DRAWER SLIDER & SCREW M3.5 x 12		2sets
VIII	M8 X 32 CHIPBOARD SCREW		8pcs

IX	NAIL		20pcs

**CAUTION:**

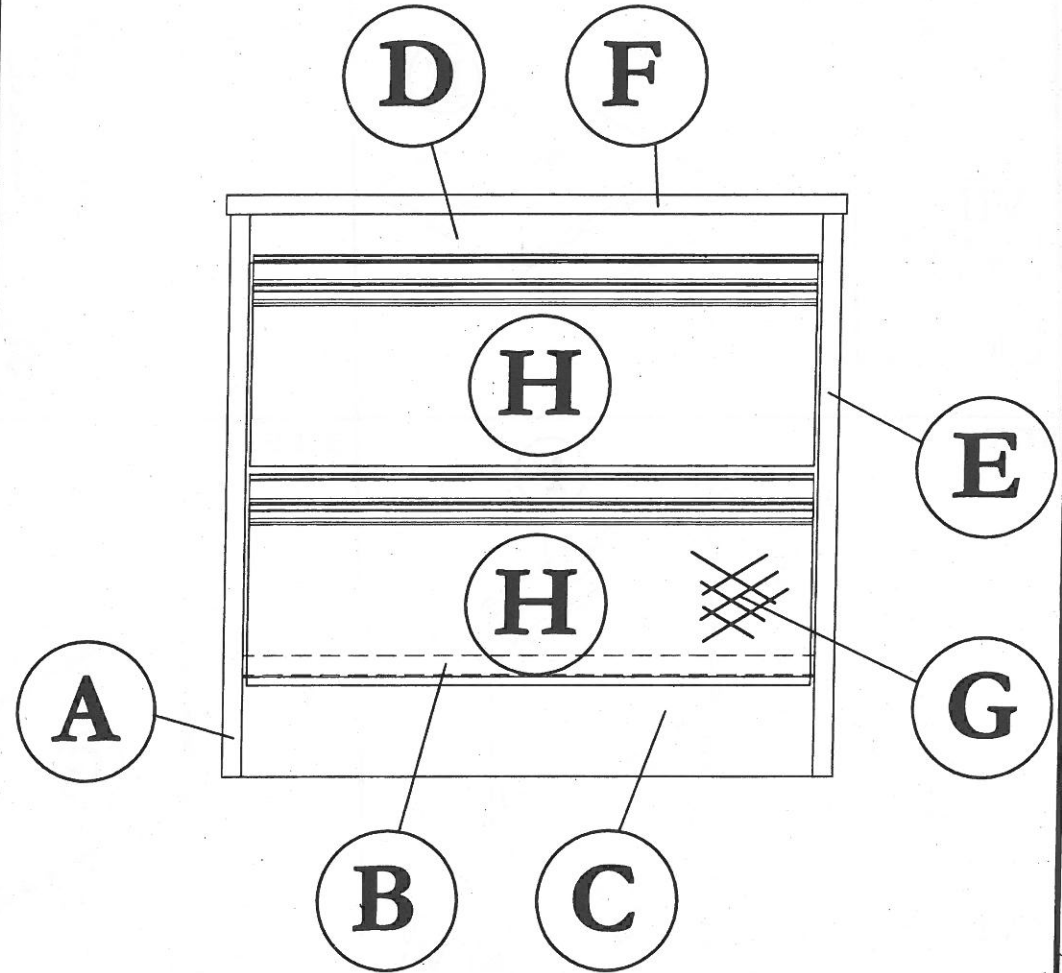
To clean use soft, dry cloth. Do not use detergent or chemicals  
Avoid contact with water and direct sunlight.  
To be assembled on a soft, dry, clean and smooth surface.



**COMPLETE SET**

**ORDERING REPAIR PARTS**

In order to obtain smooth and rapid service when ordering repair parts, please give full attention to the following of PART NUMBER.



NO	DESCRIPTION	QTY
A	LEFT SIDE	01
B	LOWER SHELF	01
C	LEG	01
D	TOP SUPPORT	01

NO	DESCRIPTION	QTY
E	RIGHT SIDE	01
F	TOP	01
G	BACK	01
H	DRAWER FACE	02