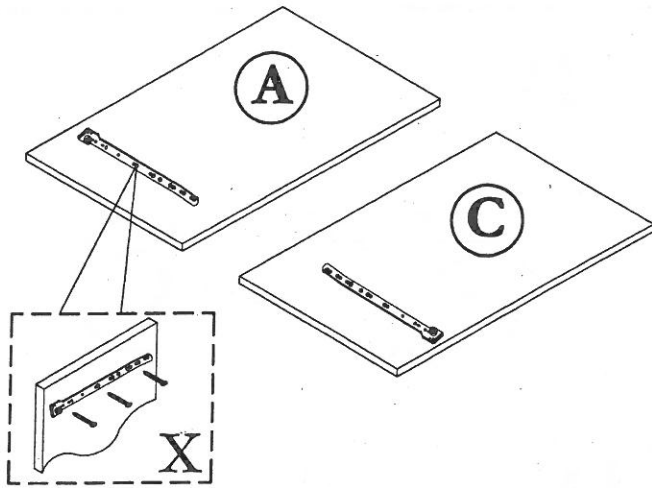


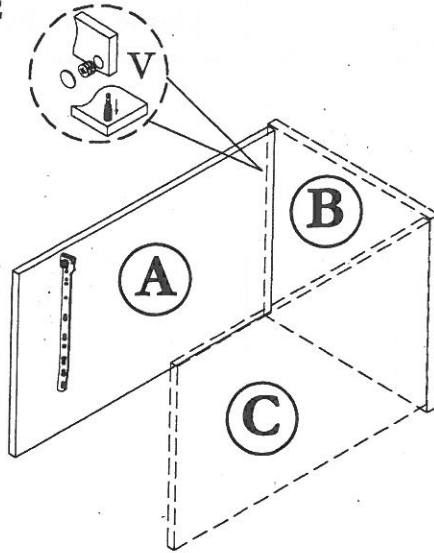
ASSEMBLY INSTRUCTION
MODEL : 5054 / SIDE TABLE

Before you begin, please follow assembly instruction carefully.
 Then follow them step by step.

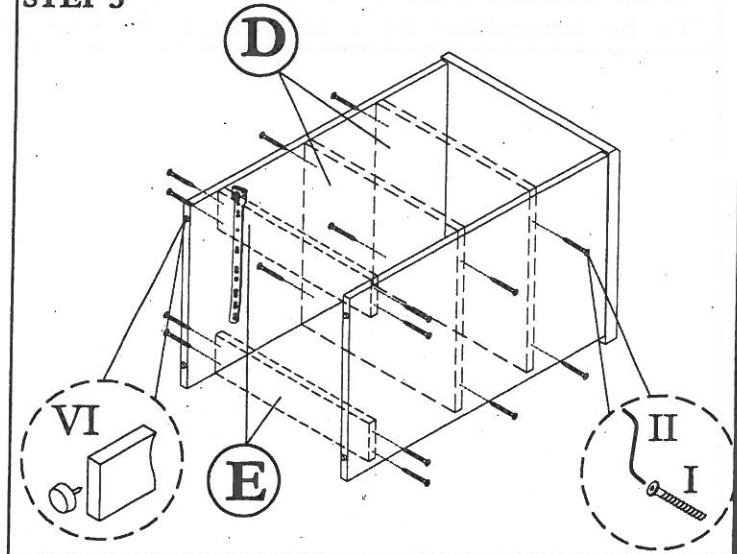
STEP 1



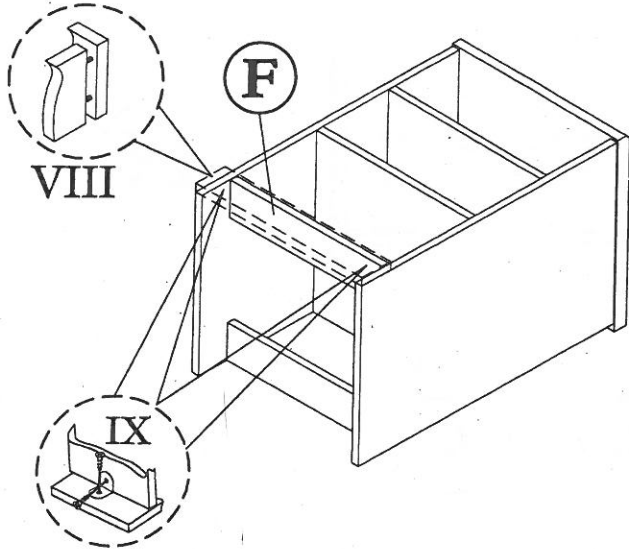
STEP 2



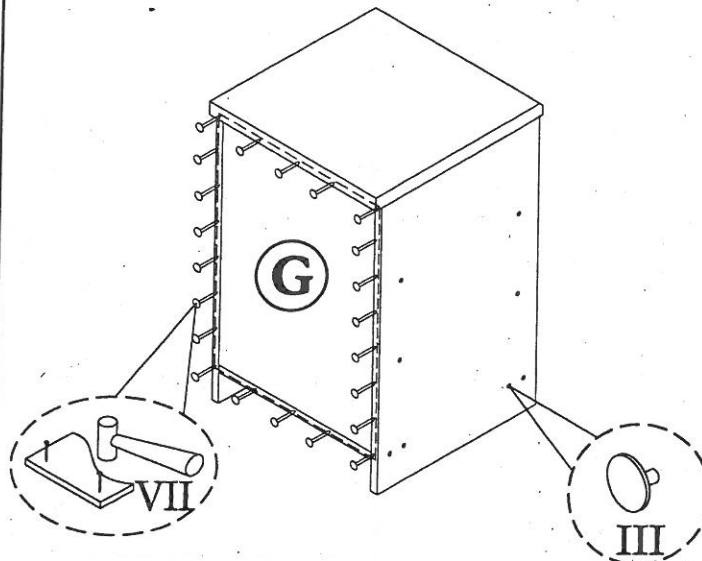
STEP 3



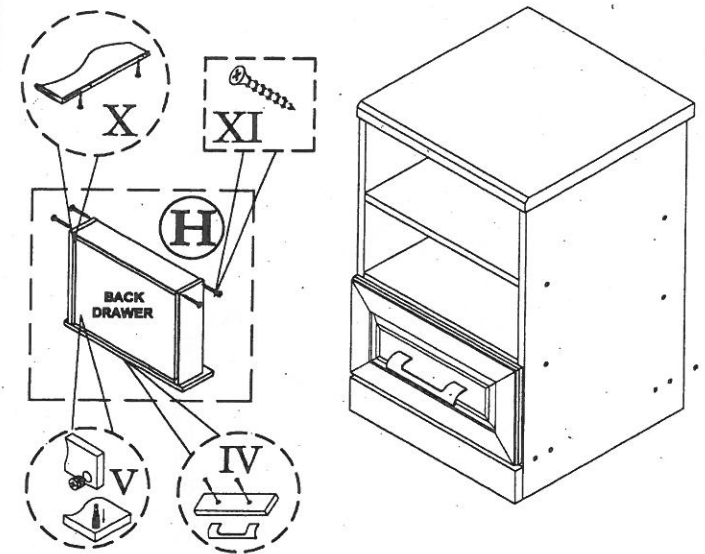
STEP 4



STEP 5



STEP 6



HARDWARE LIST

NO	DESCRIPTION	QTY
I	JCBCW SCREW M6 x 45	16pcs
II	M4 ALLEN KEY	1pc
III	CAP SMALL	16pcs

IV	HANDLE & SCREW M3.5 x 30	1sets
V	Q-FIT	8sets
VI	PLASTIC NAIL WITH PIN	4pcs
VII	NAIL	20pcs
VIII	M8 x 30 PLASTIC DOWEL	2pcs

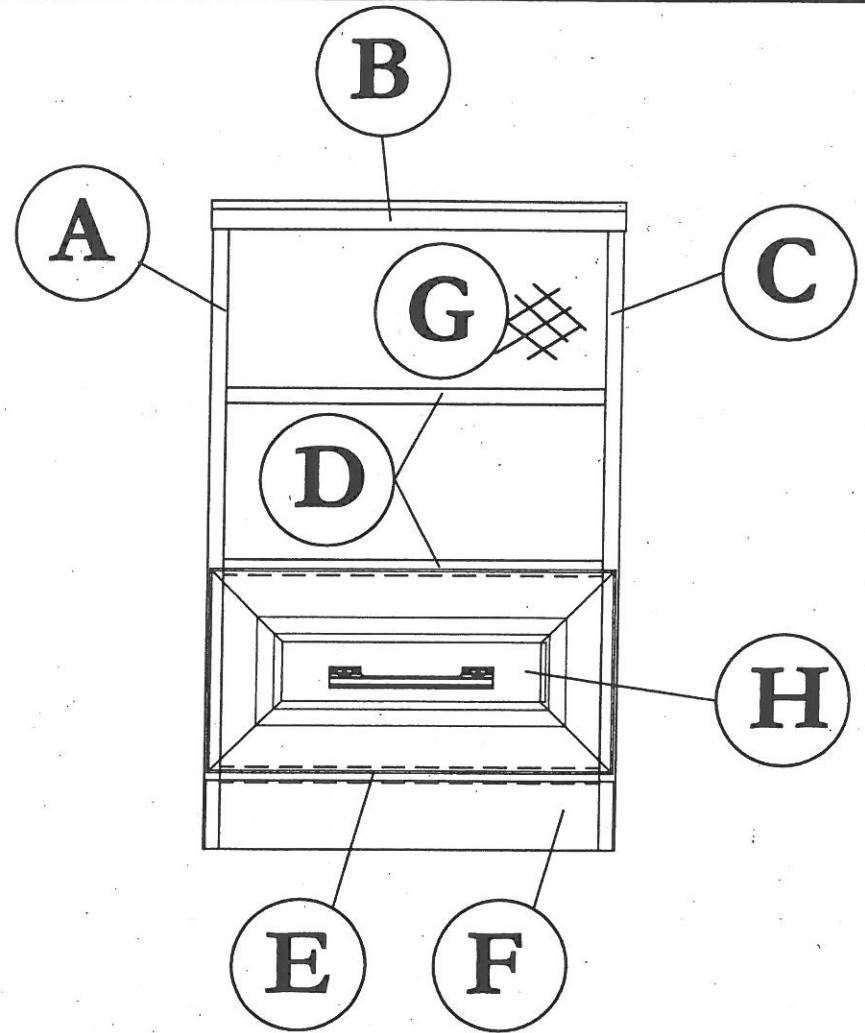
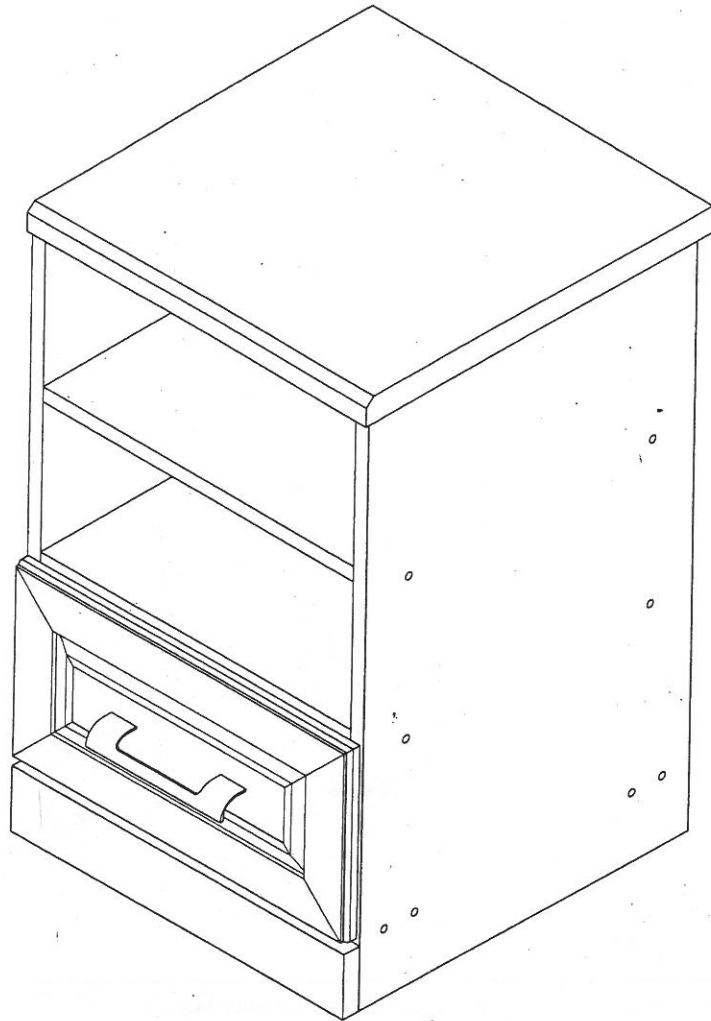
IX	L BRACKET & SCREW M3.5 x 12	2sets
X	DRAWER SLIDER & SCREW M3.5 x 12	1sets
XI	M8 x 32 CHIPBOARD SCREW	4pcs

CAUTION:

To clean use soft, dry cloth. Do not use detergent or chemicals
Avoid contact with water and direct sunlight.
To be assembled on a soft, dry, clean and smooth surface.

ORDERING REPAIR PARTS

In order to obtain smooth and rapid service when ordering repair parts,
please give full attention to the following of PART NUMBER.



COMPLETE SET

NO	DESCRIPTION	QTY
A	LEFT SIDE	01
B	TOP	01
C	RIGHT SIDE	01
D	CENTRE SHELF	02

NO	DESCRIPTION	QTY
E	LOWER SHELF	02
F	LEG	01
G	BACK	01
H	DRAWER FACE	01