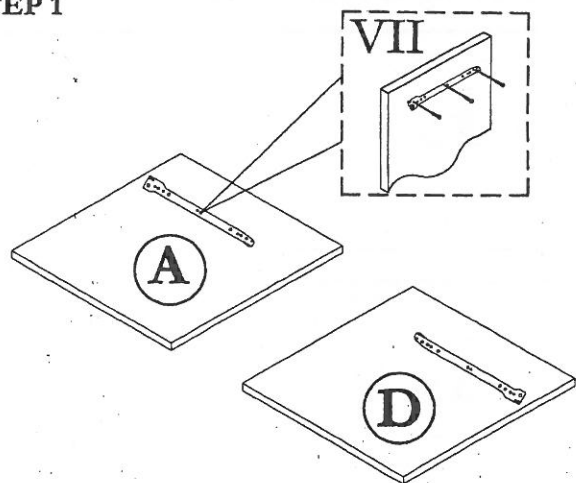


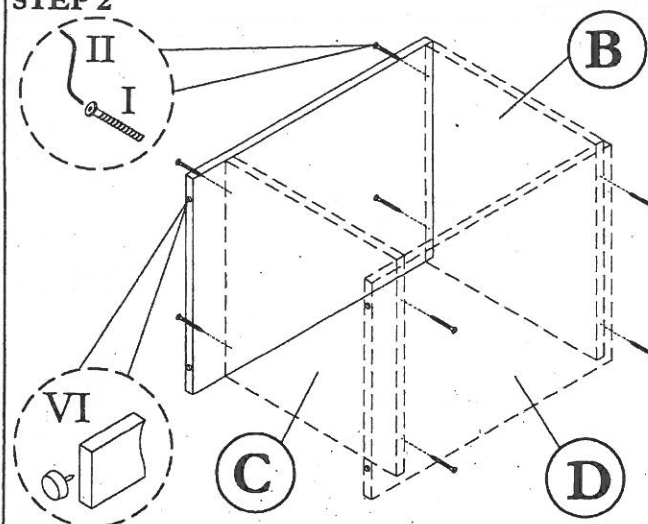
**ASSEMBLY INSTRUCTION**  
**MODEL : 5052 / SIDE TABLE**

Before you begin, please follow assembly instruction carefully.  
 Then follow them step by step.

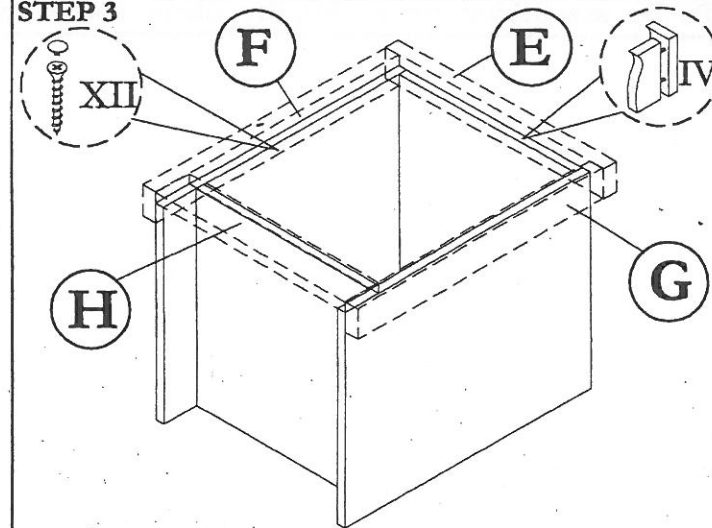
**STEP 1**



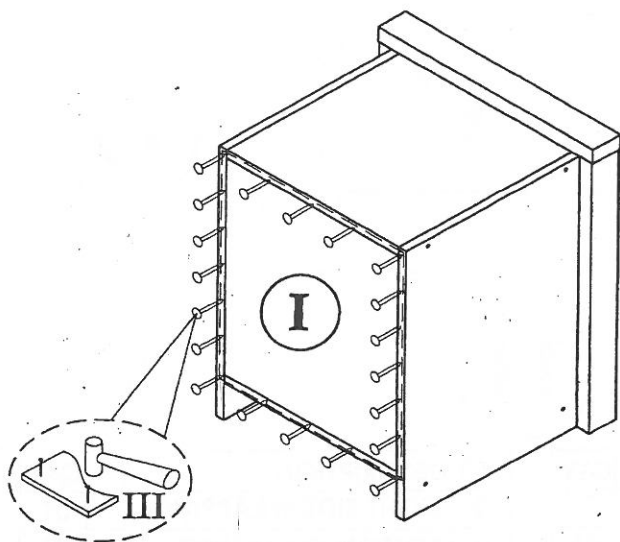
**STEP 2**



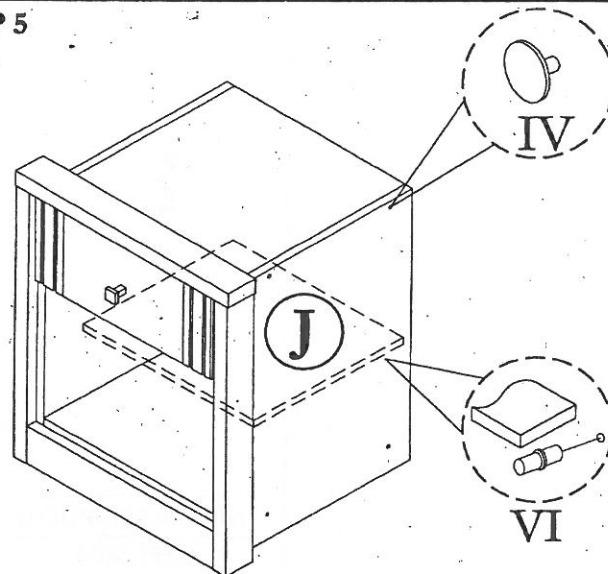
**STEP 3**



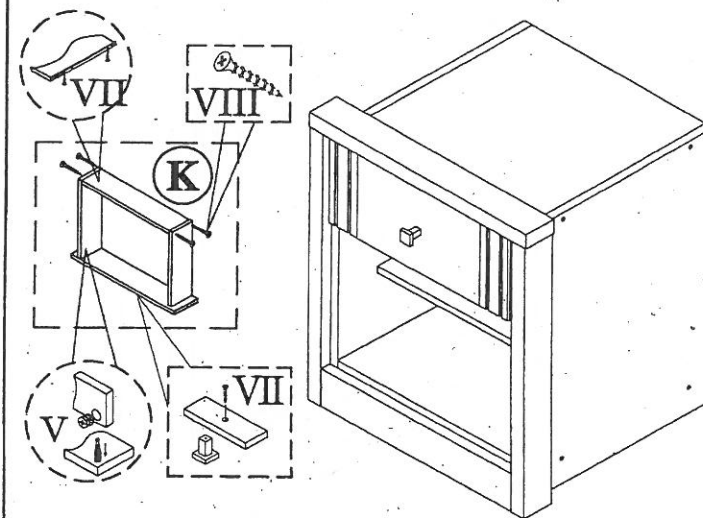
**STEP 4**



**STEP 5**



**STEP 6**



**HARDWARE LIST**

NO	DESCRIPTION	QTY
I	JCBCW SCREW M6 x 45	8pcs
II	M4 ALLEN KEY	1pc
III	NAIL	20pcs

IV	CAP SMALL	8pcs
V	Q-FIT	4sets
VI	PVC NAIL WITH PIN	4pcs
VII	DRAWER SLIDER & SCREW M3.5 x 12	1sets
VIII	M8 X 32 CHIPBOARD SCREW	4pcs

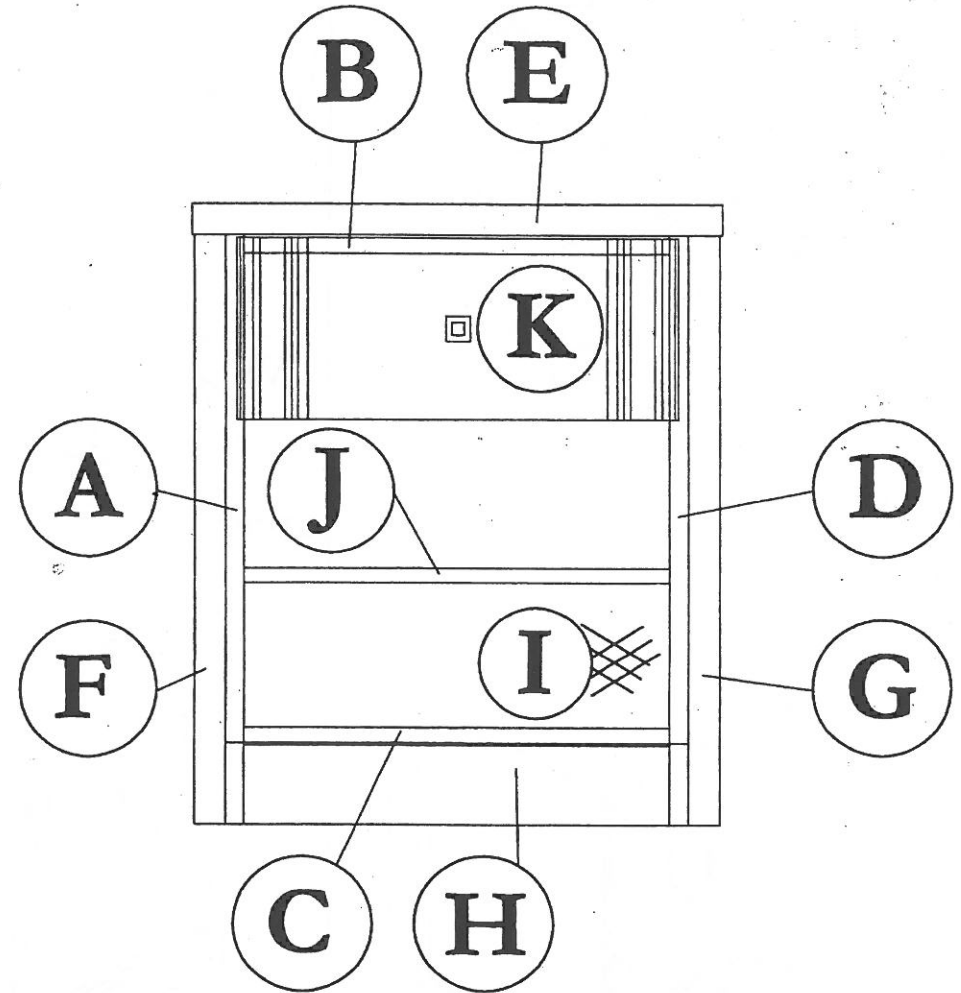
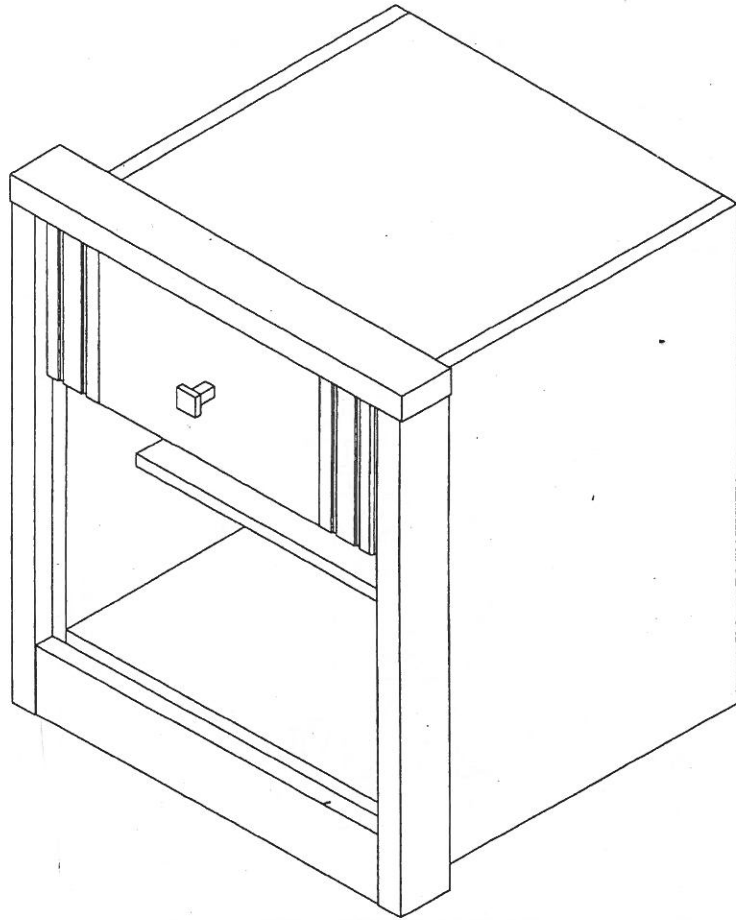
IV	M8 x 30 PLASTIC DOWEL	10pcs
V	M3.5 x 30 CHIPBOARD SCREW & CAP	6sets
VI	PVC SHELF SUPPORT	4pcs
VII	HANDLE & SCREW M3.5 x 30	1sets

**CAUTION:**

To clean use soft, dry cloth. Do not use detergent or chemicals  
Avoid contact with water and direct sunlight.  
To be assembled on a soft, dry, clean and smooth surface.

**ORDERING REPAIR PARTS**

In order to obtain smooth and rapid service when ordering repair parts,  
please give full attention to the following of PART NUMBER.



**COMPLETE SET**

NO	DESCRIPTION	QTY
A	LEFT SIDE	01
B	UPPER SHELF	01
C	LOWER SHELF	01
D	RIGHT SIDE	01
E	TOP WRAPPING	01
F	LEFT SIDE WRAPPING	01

NO	DESCRIPTION	QTY
G	RIGHT SIDE WRAPPING	01
H	BOTTOM WRAPPING	01
I	BACK	01
J	MOVABLE SHELF	01
K	DRAWER FACE	01