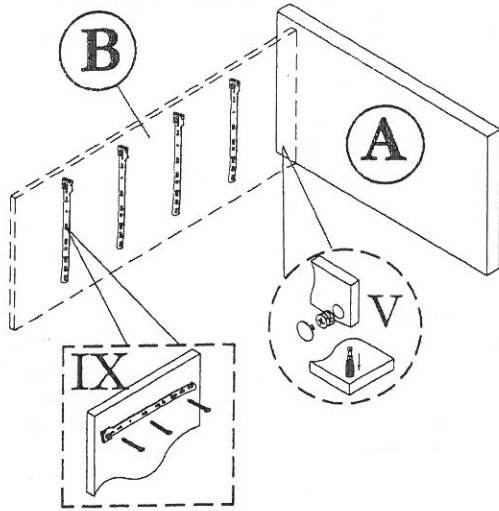


# ASSEMBLY INSTRUCTION

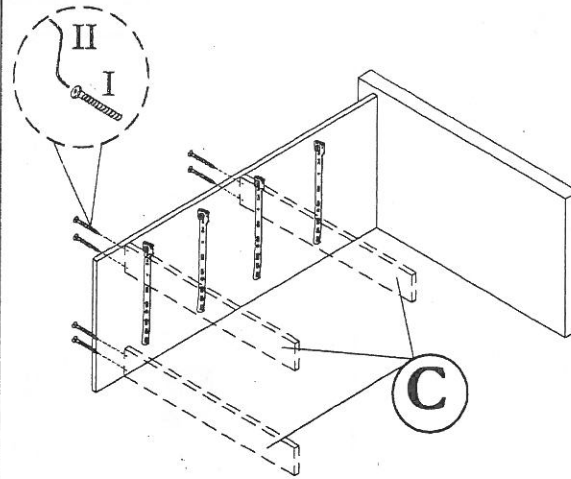
## MODEL : 4072 / CHEST OF DRAWER

Before you begin, please follow assembly instruction carefully.  
Then follow them step by step.

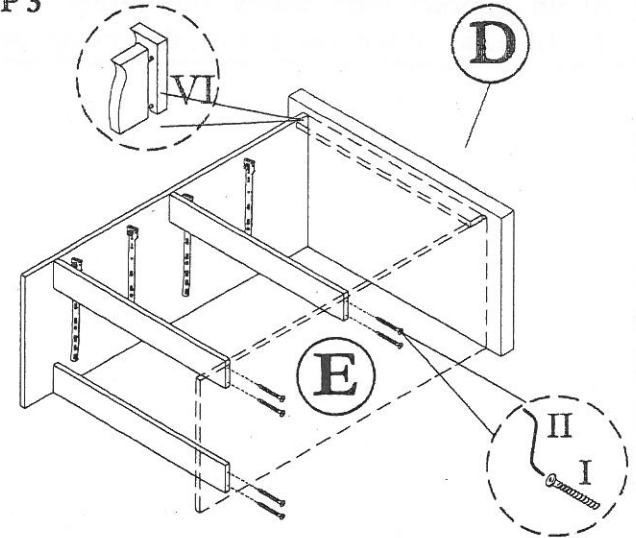
STEP 1



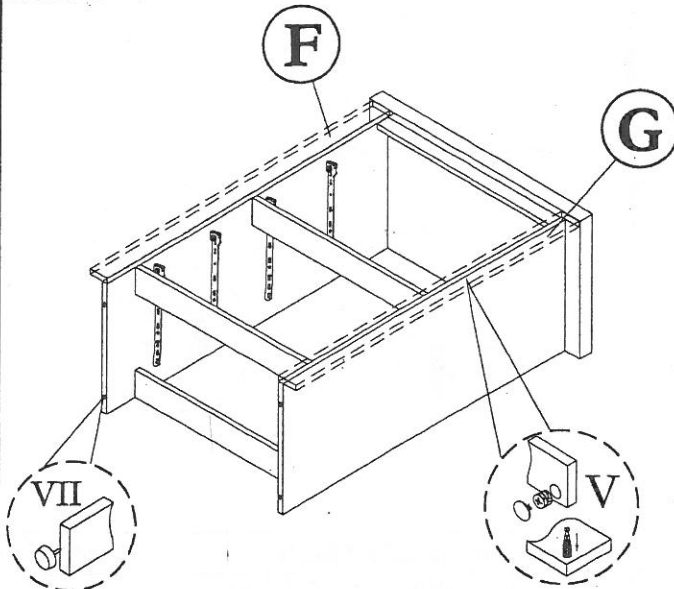
STEP 2



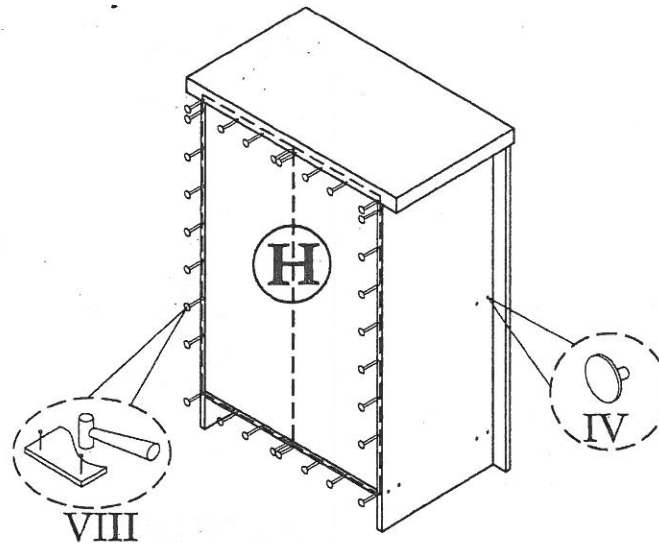
STEP 3



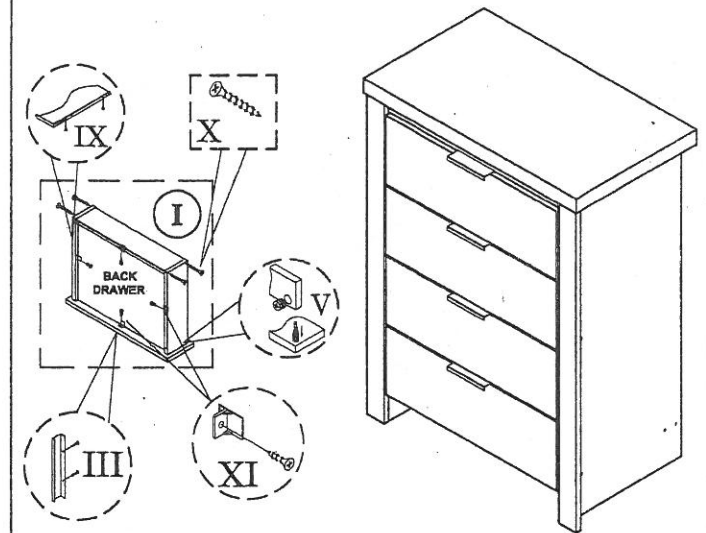
STEP 4



STEP 5



STEP 6



HARDWARE LIST		
NO	DESCRIPTION	QTY
I	JCBCW SCREW M6 x 45	12pcs
II	M4 ALLEN KEY	1pc
III	HANDLE & SCREW M3.5 x 12	4sets

IV	CAP SMALL	12pcs
V	Q-FIT	26sets
VI	M8 x 30 PLASTIC DOWEL	2pcs
VII	PVC NAIL WITH PIN	4pcs
VIII	NAIL	40pcs

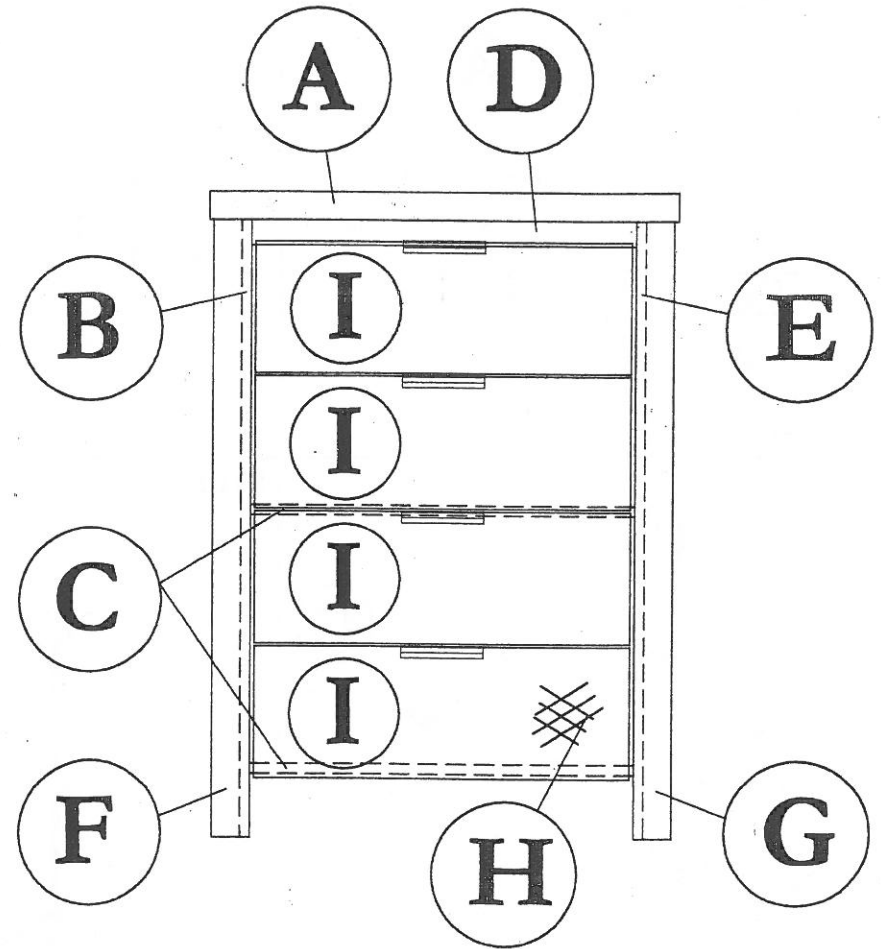
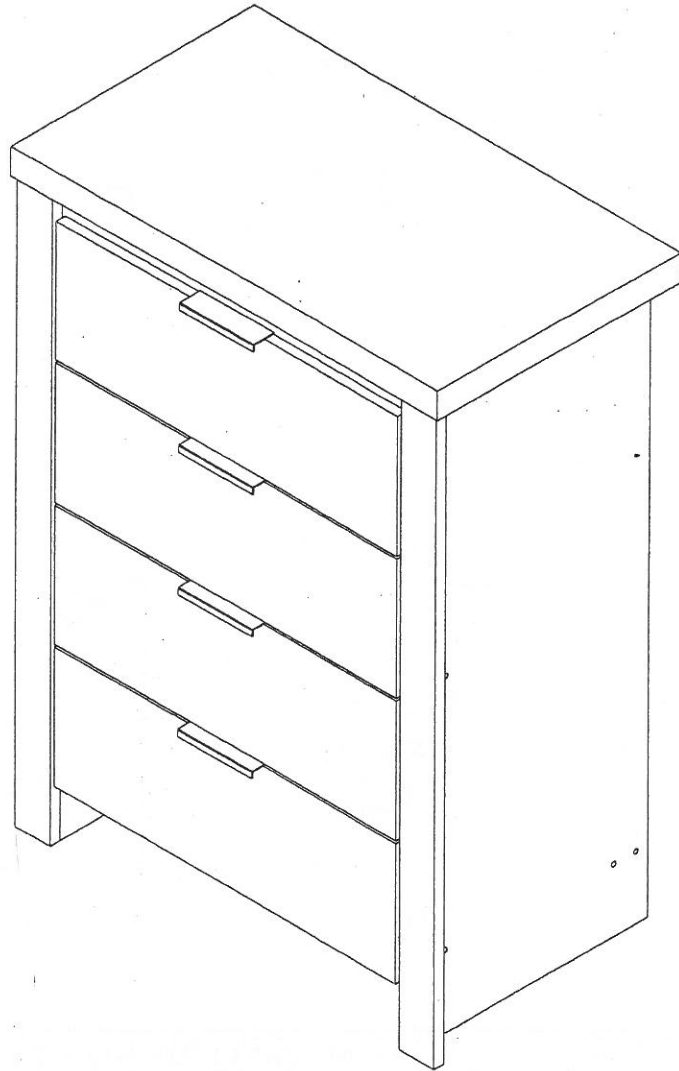
IX	DRAWER SLIDER & SCREW M3.5 x 12	4sets
X	M8 X 32 CHIPBOARD SCREW	16pcs
XI	DRAWER SUPPORT & SCREW M3.5 x 12	16sets

**CAUTION:**

To clean use soft, dry cloth. Do not use detergent or chemicals  
Avoid contact with water and direct sunlight.  
To be assembled on a soft, dry, clean and smooth surface.

**ORDERING REPAIR PARTS**

In order to obtain smooth and rapid service when ordering repair parts,  
please give full attention to the following of PART NUMBER.



**COMPLETE SET**

NO	DESCRIPTION	QTY
A	TOP	01
B	LEFT SIDE	01
C	CENTRE SHELF	03
D	TOP SUPPORT	01
E	RIGHT SIDE	01

NO	DESCRIPTION	QTY
F	WRAPPING (Left)	01
G	WRAPPING (RIGHT)	01
H	BACK	02
I	DRAWER FACE	04