


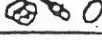




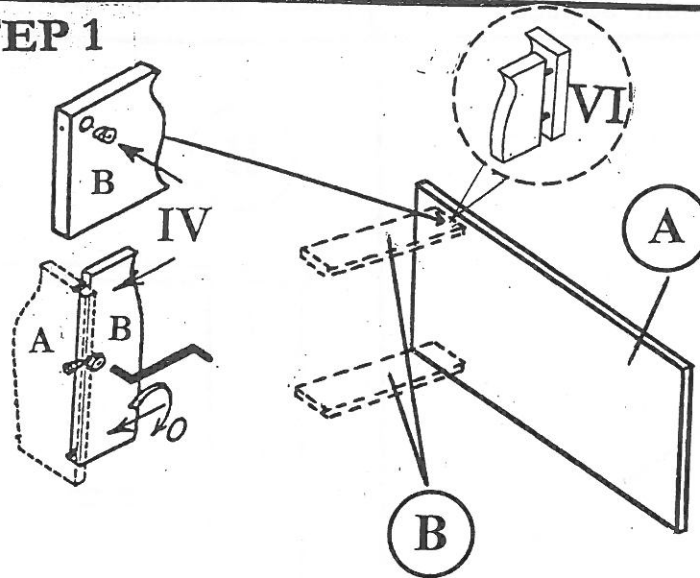
# ASSEMBLY INSTRUCTION

## MODEL: 22006 / COFFEE TABLE

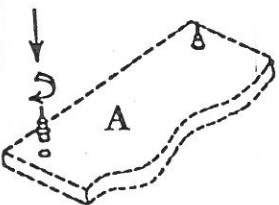
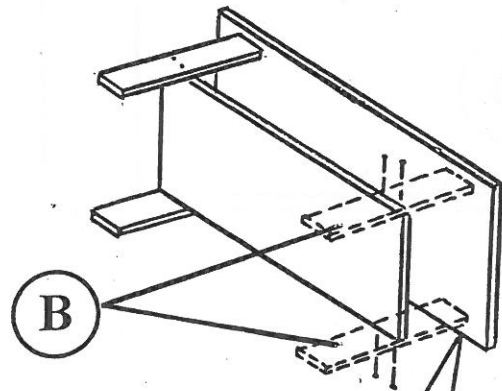
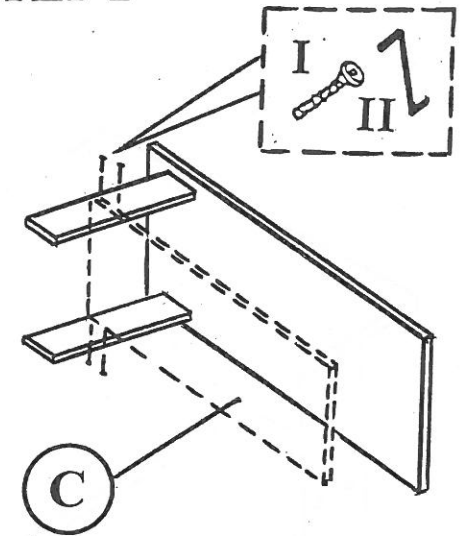
Before you begin, please follow Assembly Instruction carefully.  
Then follow them step by step.

HARDWARE		LIST	
NO	DESCRIPTION		QTY
I	JCBCW SCREW M6 x 45		16pcs
II	ALLEN KEY		1pcs
III	CAP SMALL		8pcs
IV	Q-FIT		4sets
V	PVC LEG & SCREW M4 x 25		4sets
VI	M8 x 30 PLASTIC DOWEL		8pcs

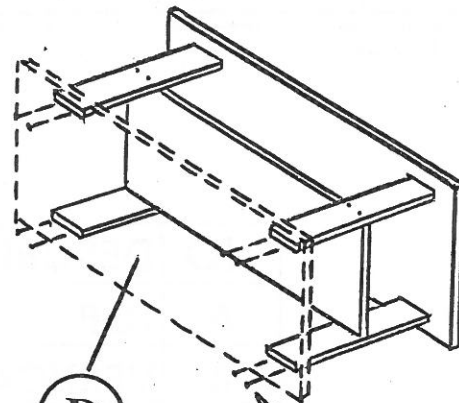
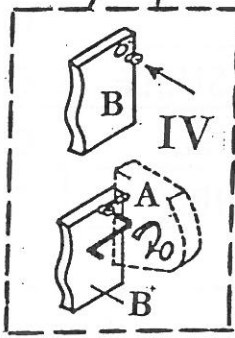
### STEP 1



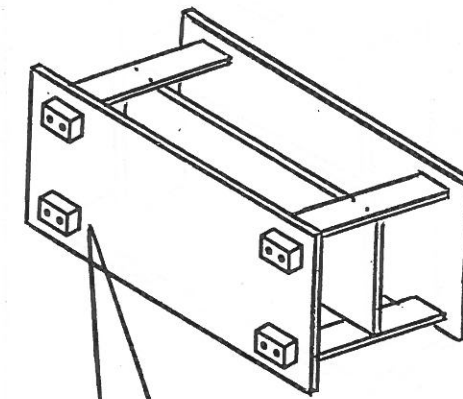
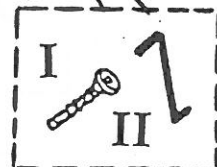
### STEP 2



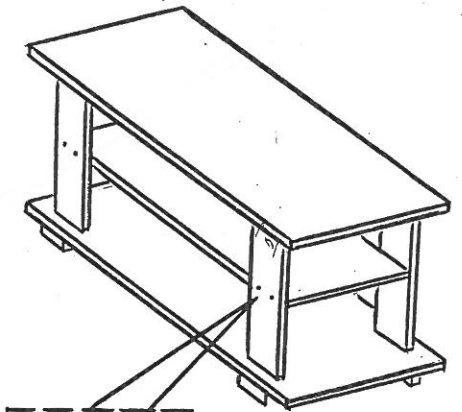
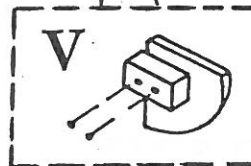
### STEP 3



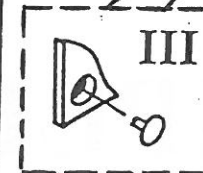
### STEP 4



### STEP 5



### STEP 6

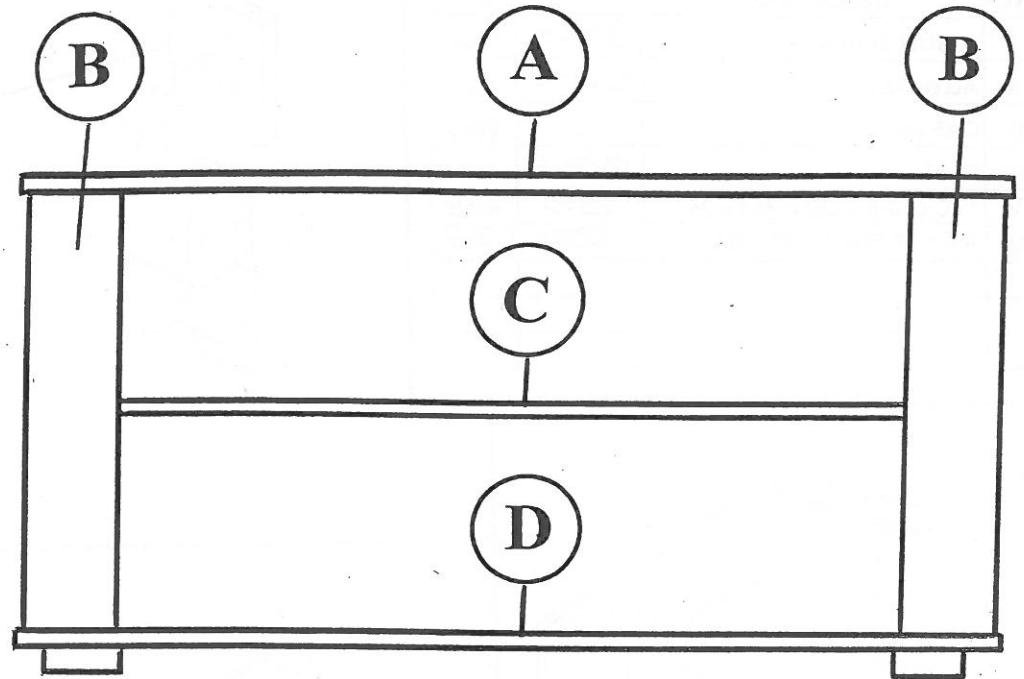
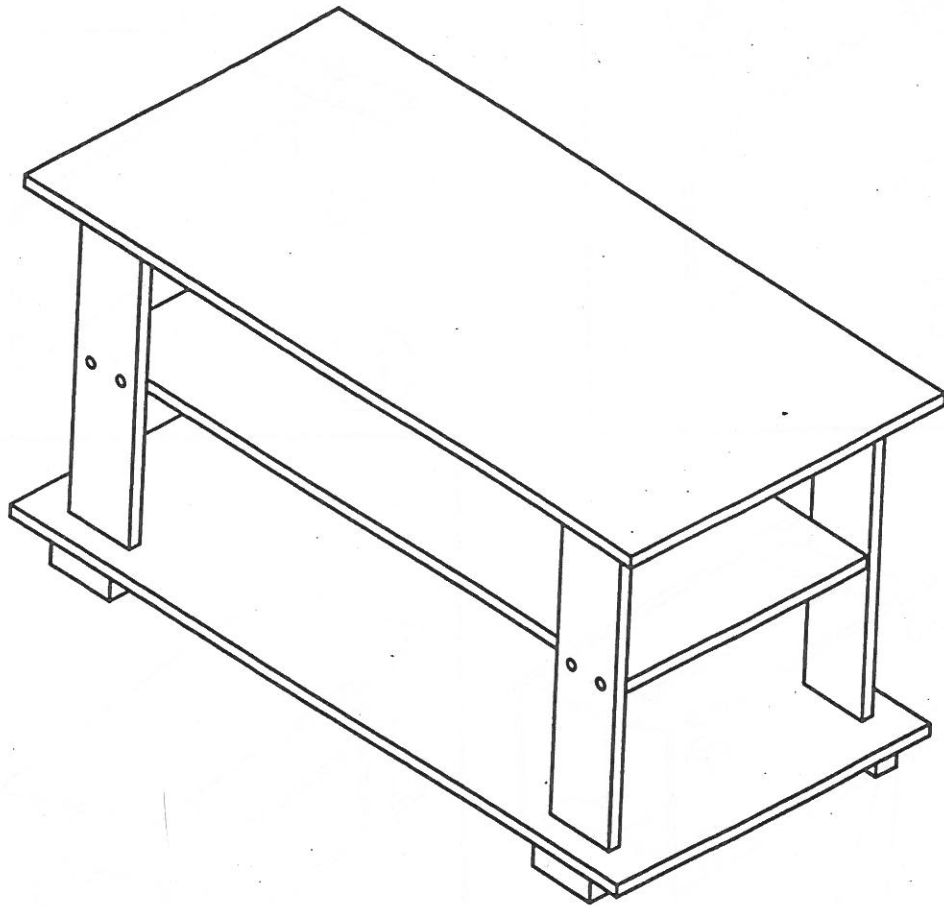


**CAUTION:**

To clean use soft, dry cloth. Do not use detergent or chemicals.  
Avoid contact with water and direct sunlight.  
To be assembled on a soft,dry,clean and smooth surface.

**ORDERING REPAIR PARTS**

In order to obtain smooth and rapid service when ordering repair parts,  
please give full attention to the following of PART NUMBER.



**COMPLETE SET**

NO	DESCRIPTION	QTY
A	TOP	01
B	VERTICAL SHELF	04
C	CENTRE SHELF	01
D	LOWEST SHELF	01