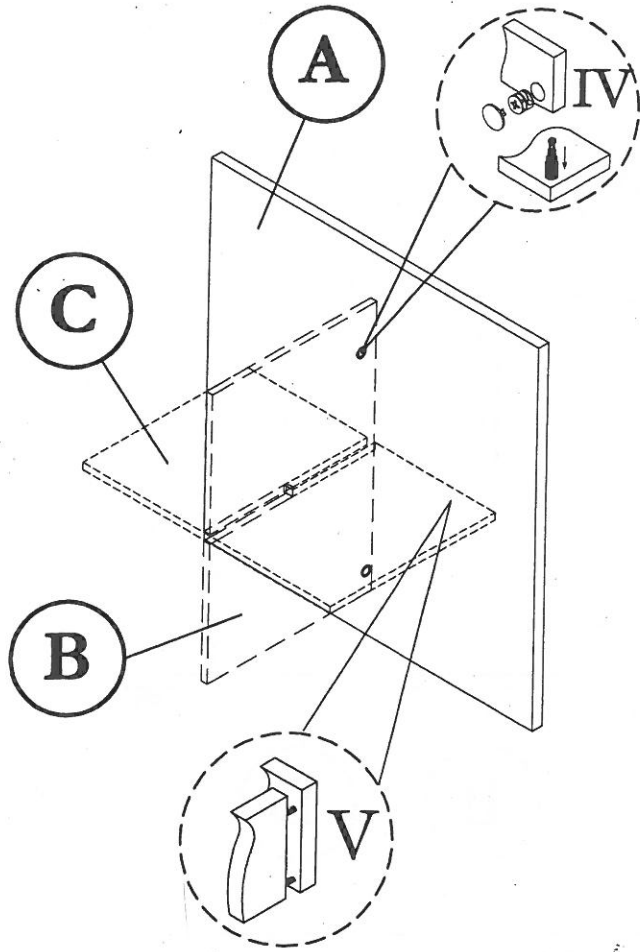


# ASSEMBLY INSTRUCTION

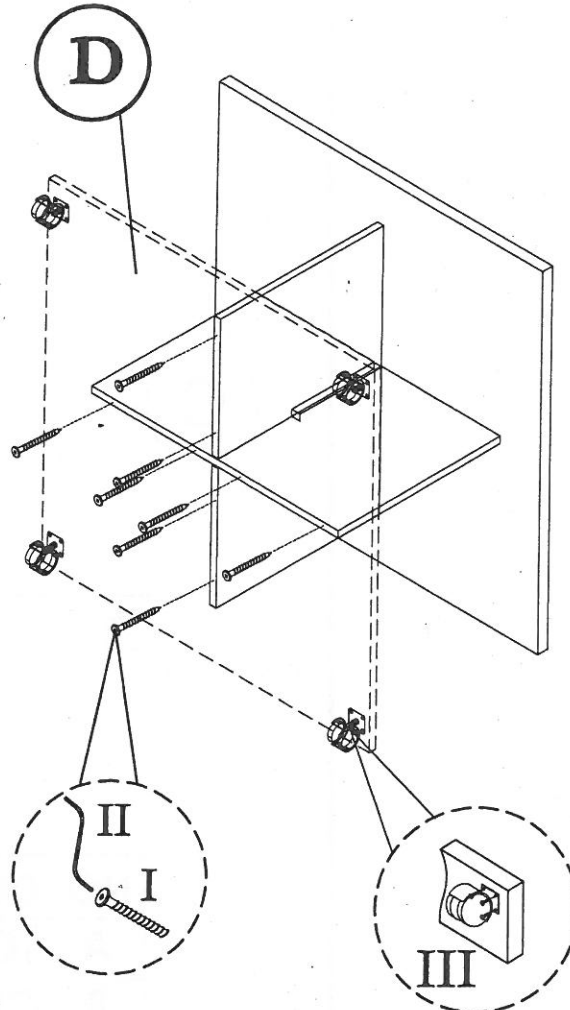
## MODEL : 22003 / COFFEE TABLE

Before you begin, please follow assembly instruction carefully. Then follow them step by step.

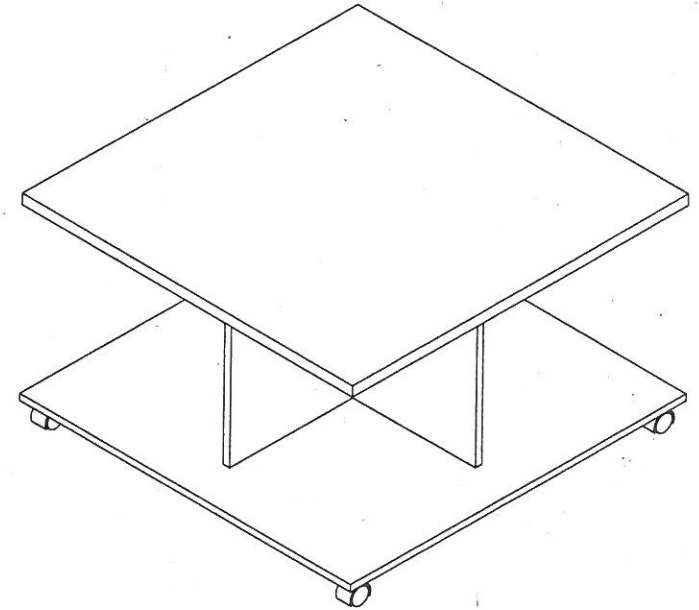
### STEP 1



### STEP 2



### STEP 3

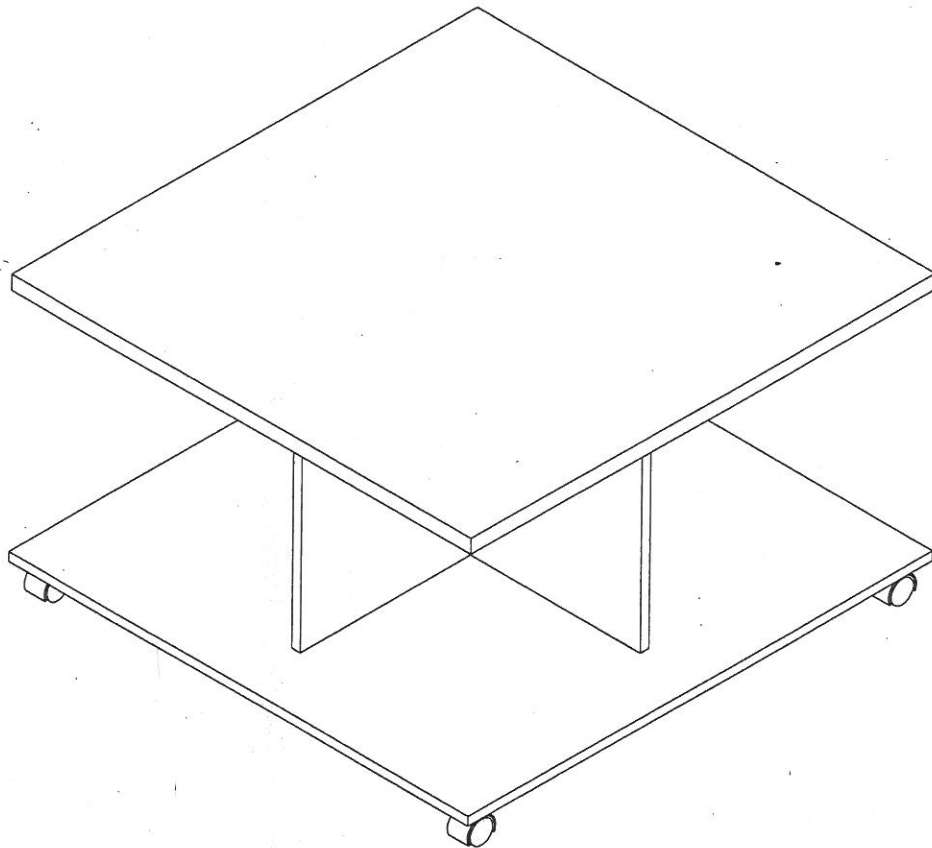


HARDWARE LIST			
NO	DESCRIPTION		QTY
I	JCBCW SCREW M6 x 45		8pcs
II	M4 ALLEN KEY		1pc

III	PLATE CASTER & SCREW M3.5 x 12		4sets
IV	Q-FIT		4sets
V	M8 X 30 PLASTIC DOWEL		4pcs


**CAUTION:**

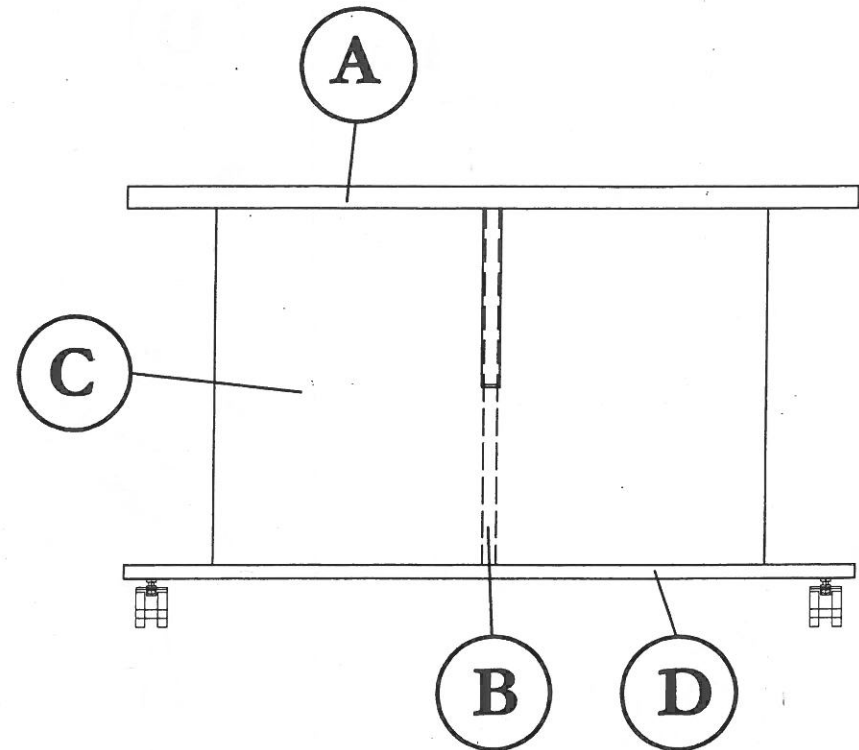
To clean use soft, dry cloth. Do not use detergent or chemicals  
Avoid contact with water and direct sunlight.  
To be assembled on a soft, dry, clean and smooth surface.



**COMPLETE SET**

**ORDERING REPAIR PARTS**

In order to obtain smooth and rapid service when ordering repair parts, please give full attention to the following of PART NUMBER.



NO	DESCRIPTION	QTY
A	TOP	01
B	CENTRE VERTICAL	01
C	CENTRE VERTICAL	01
D	LOWEST SHELF	01