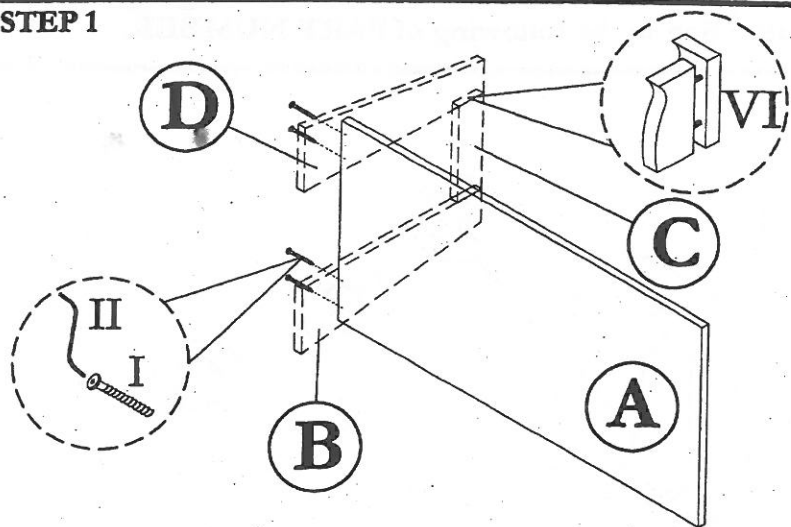


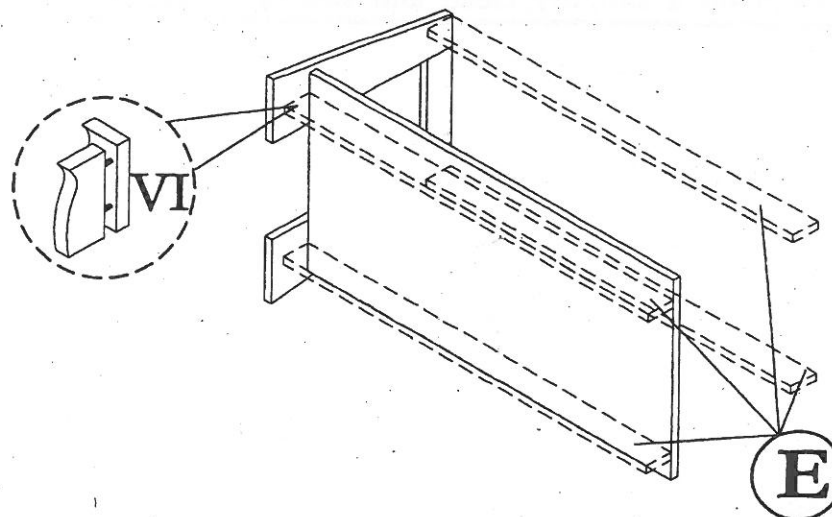
**ASSEMBLY INSTRUCTION**  
**MODEL : 2134 / COFFEE TABLE**

Before you begin, please follow assembly instruction carefully.  
 Then follow them step by step.

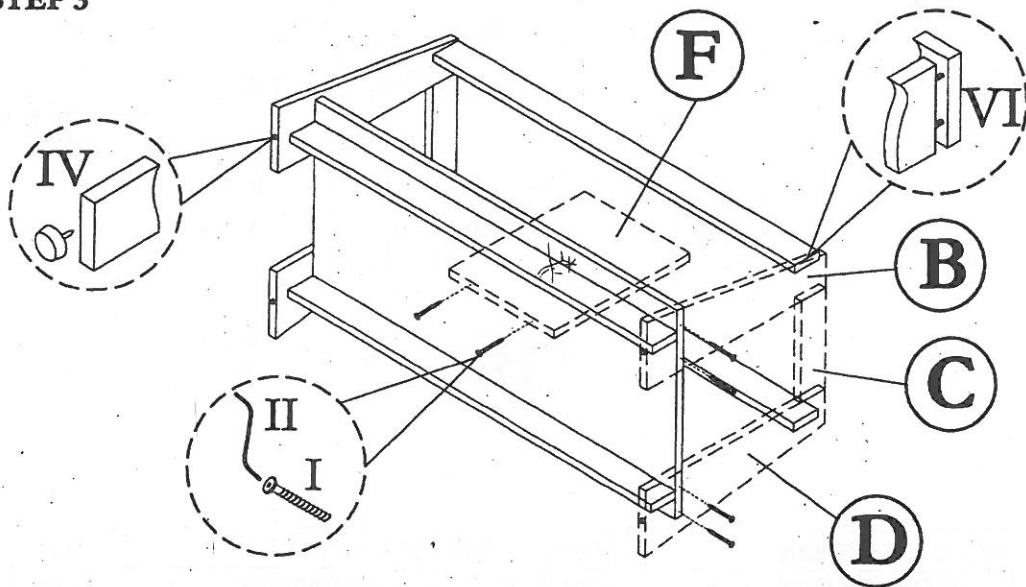
**STEP 1**



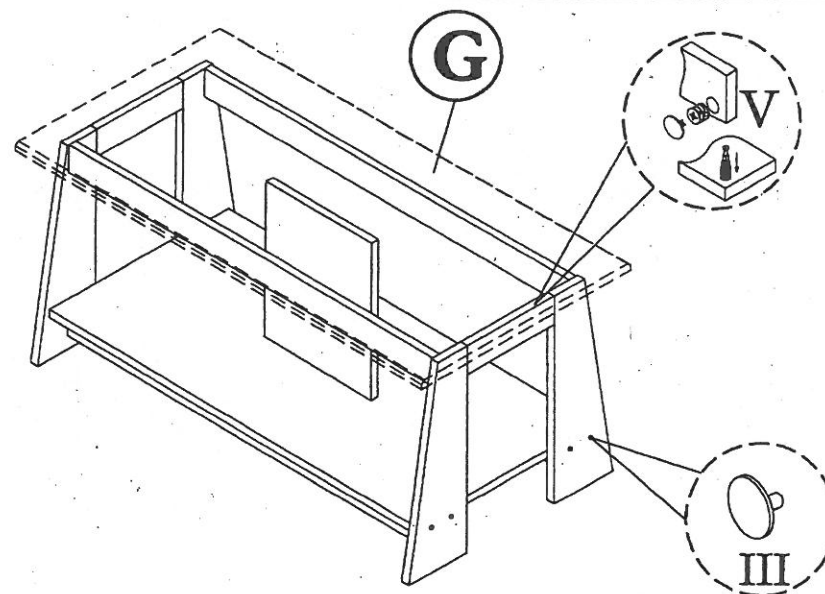
**STEP 2**



**STEP 3**



**STEP 4**



HARDWARE LIST			
NO	DESCRIPTION		QTY
I	JCBCW SCREW M6 x 45		10pcs
II	M4 ALLEN KEY		1pc

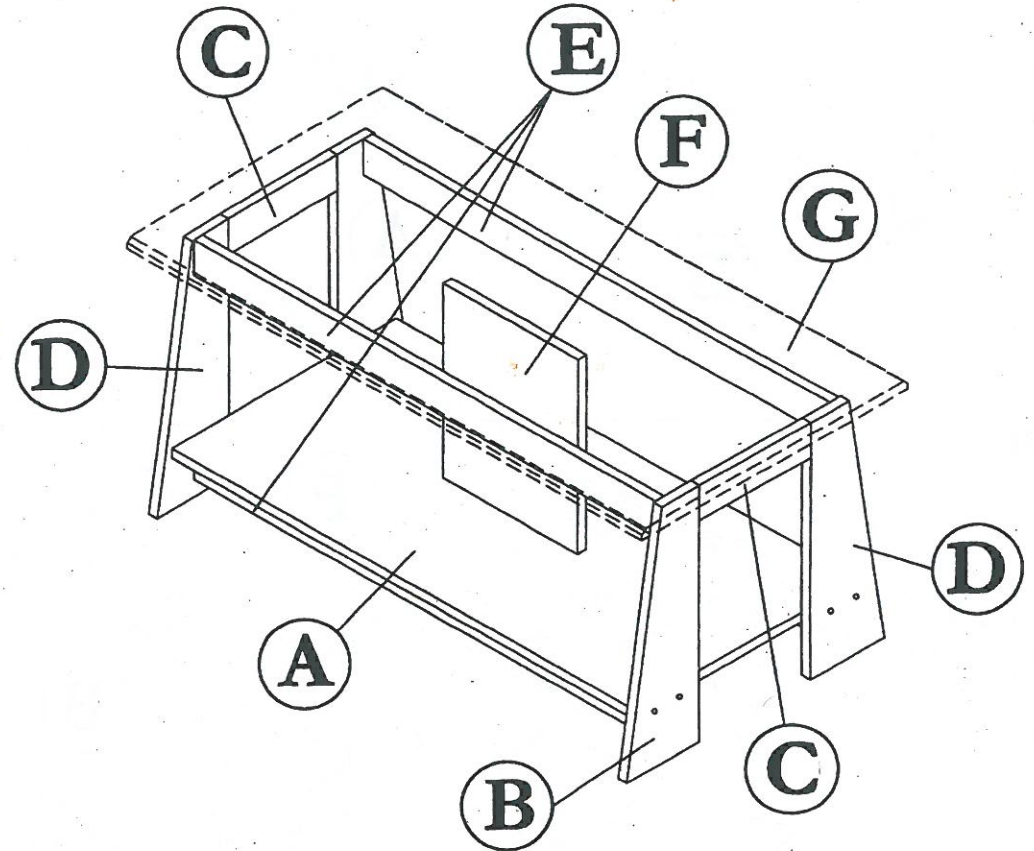
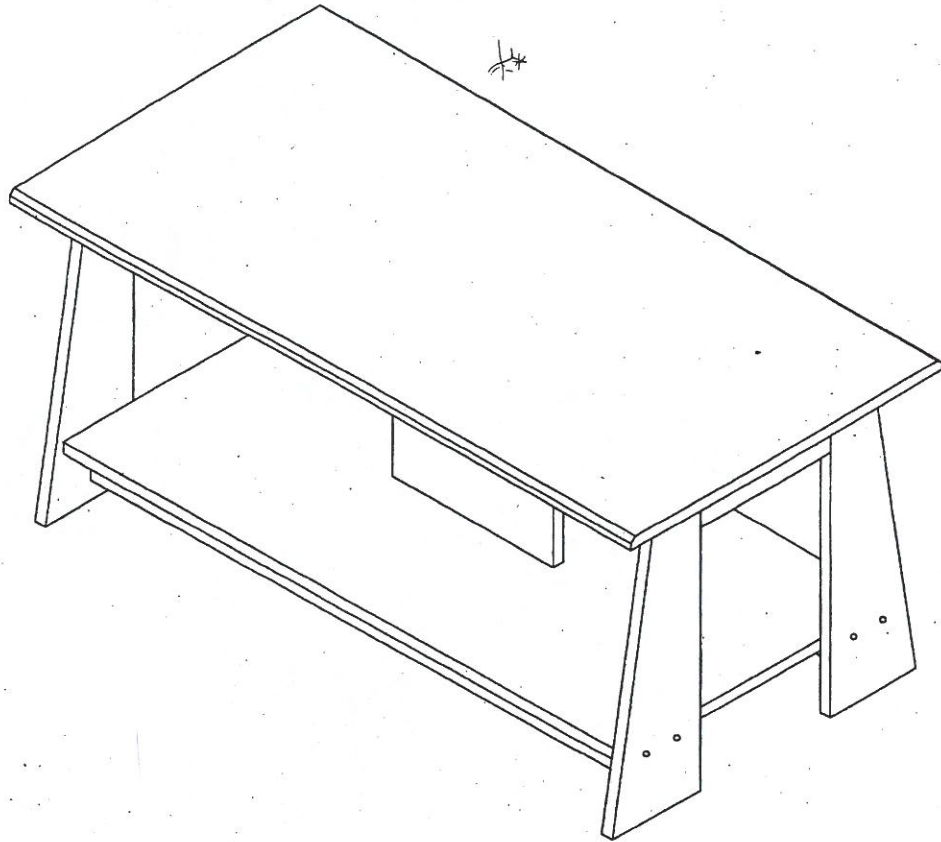
III	CAP SMALL		8pcs
IV	PVC NAIL WITH PIN		4pcs
V	Q-FIT		5sets
VI	M8 x 30 PLASTIC DOWEL		26pcs


**CAUTION:**

To clean use soft, dry cloth. Do not use detergent or chemicals  
Avoid contact with water and direct sunlight.  
To be assembled on a soft, dry, clean and smooth surface.

**ORDERING REPAIR PARTS**

In order to obtain smooth and rapid service when ordering repair parts,  
please give full attention to the following of PART NUMBER.



**COMPLETE SET**

NO	DESCRIPTION	QTY
A	LOWER SHELF	01
B	LEFT/RIGHT SIDE	02
C	TOP SUPPORT	02
D	LEFT/RIGHT SIDE	02

NO	DESCRIPTION	QTY
E	SHELF SUPPORT	04
F	CENTRE VERTICAL	01
G	TOP	01