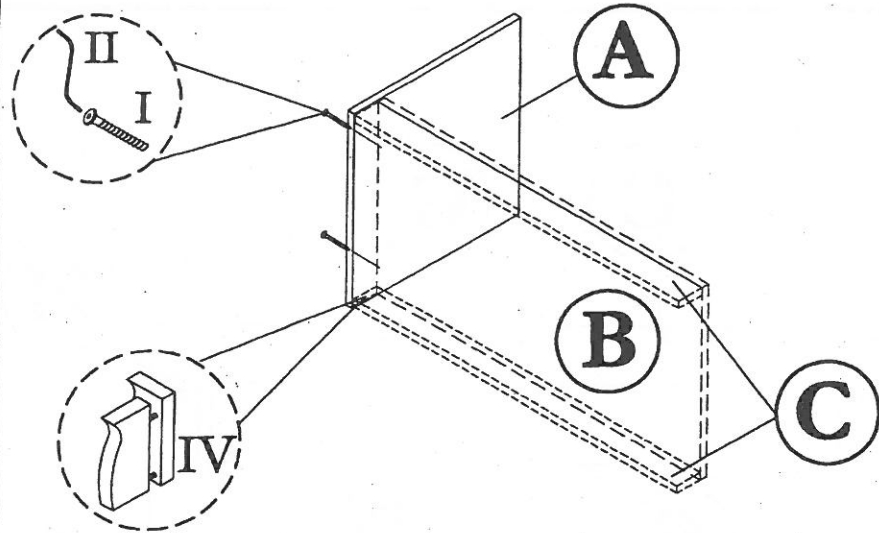


ASSEMBLY INSTRUCTION

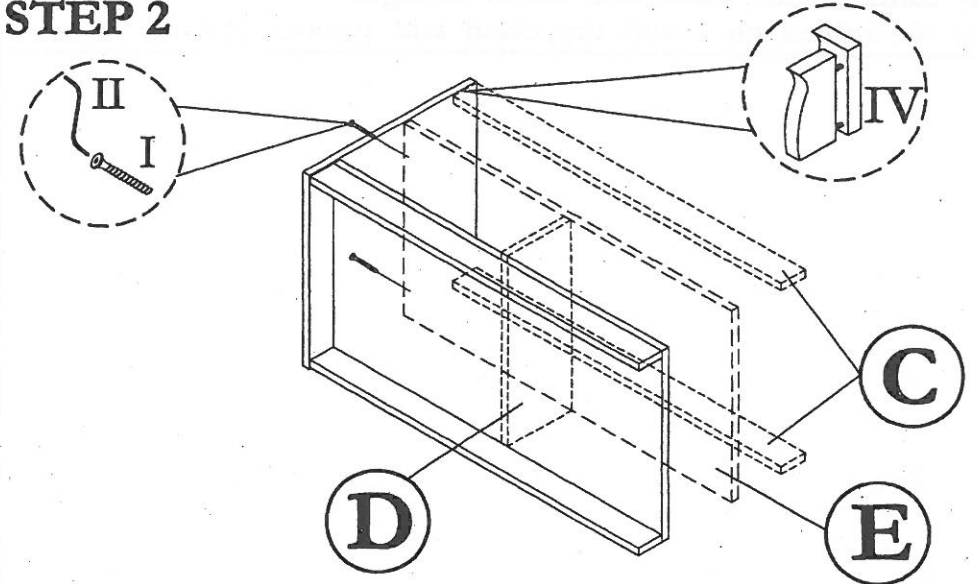
MODEL : 2114 / COFFEE TABLE

Before you begin, please follow assembly instruction carefully.
Then follow them step by step.

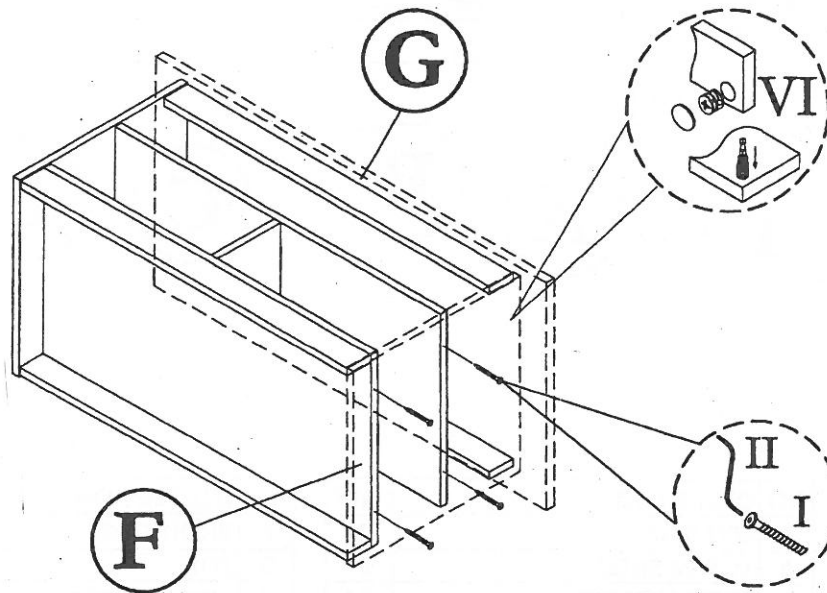
STEP 1



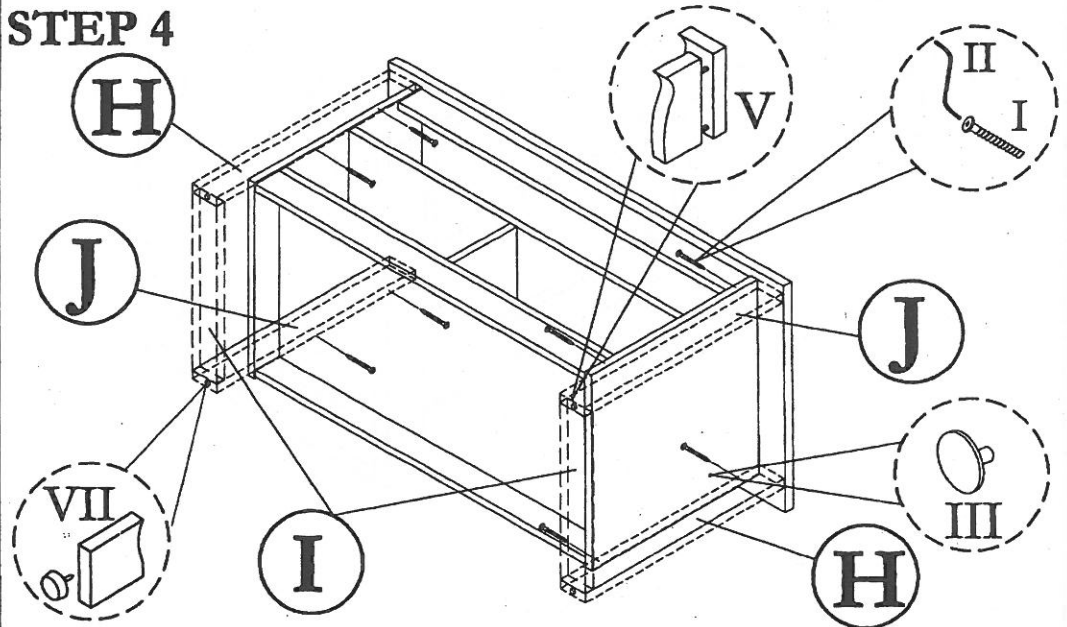
STEP 2



STEP 3



STEP 4



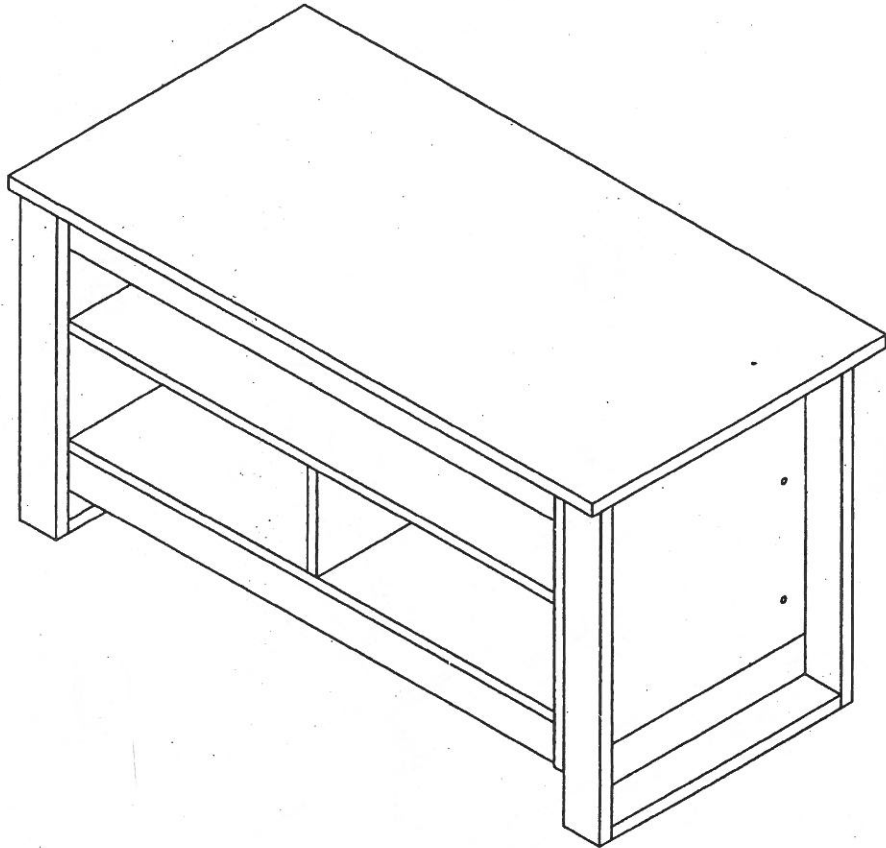
HARDWARE LIST		
NO	DESCRIPTION	QTY
I	JCBCW SCREW M6 x 45	16pcs

II	M4 ALLEN KEY	1pc
III	CAP SMALL	12pcs
IV	M8 X 30 PLASTIC DOWEL	20pcs

V	M6 x 40 WOOD DOWEL	8pcs
VI	Q-FIT	4sets
VII	PVC NAIL WITH PIN	4pcs

CAUTION:

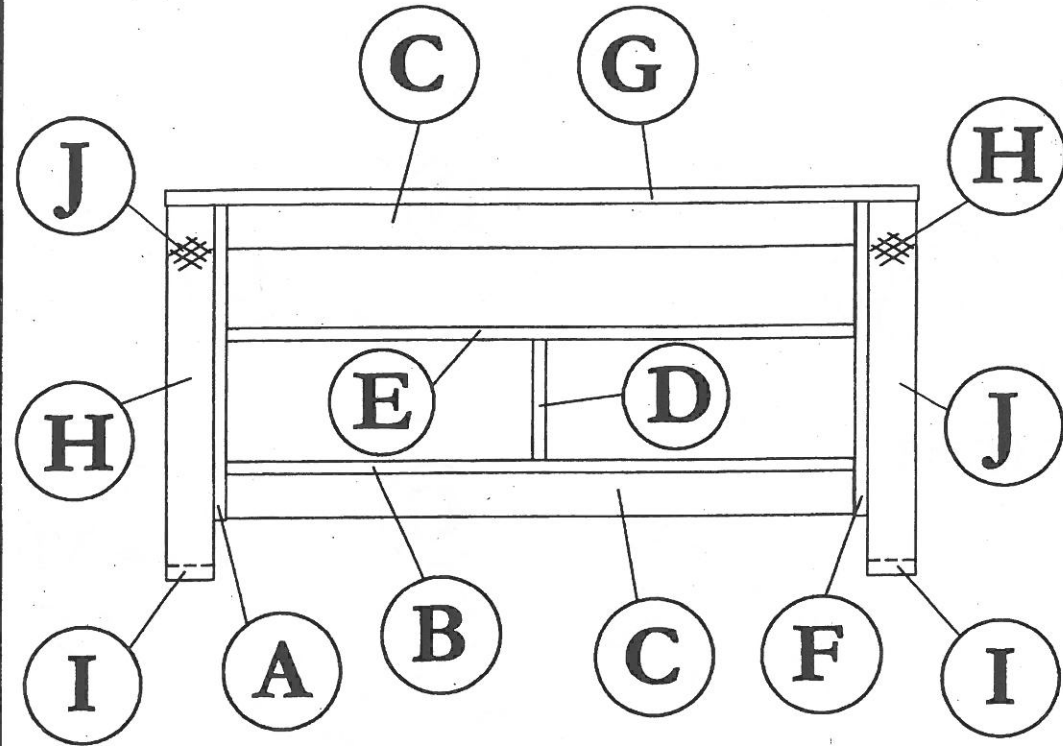
To clean use soft, dry cloth. Do not use detergent or chemicals
Avoid contact with water and direct sunlight.
To be assembled on a soft, dry, clean and smooth surface.



COMPLETE SET

ORDERING REPAIR PARTS

In order to obtain smooth and rapid service when ordering repair parts,
please give full attention to the following of PART NUMBER.



NO	DESCRIPTION	QTY
A	LEFT SIDE	01
B	LOWER SHELF	01
C	SHELF SUPPORT	04
D	CENTRE VERTICAL	01
E	CENTRE SHELF	01

NO	DESCRIPTION	QTY
F	RIGHT SIDE	01
G	TOP	01
H	SIDE WRAPPING	02
I	LOWEST WRAPPING	02
J	SIDE WRAPPING	02