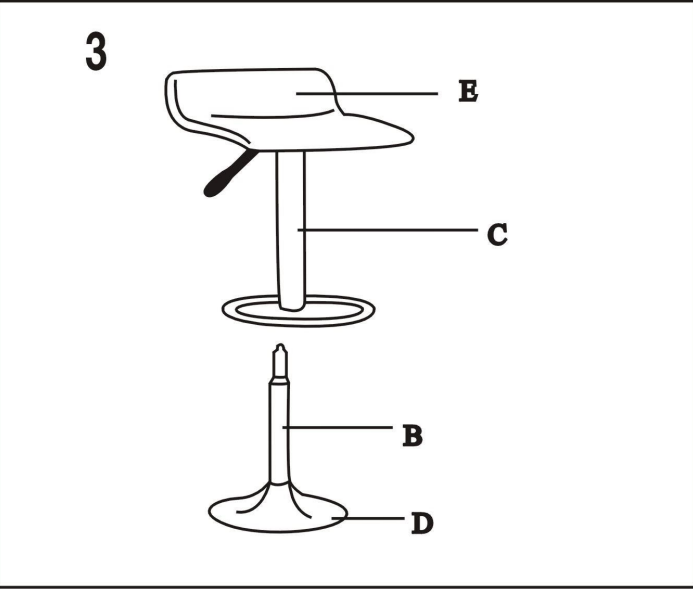
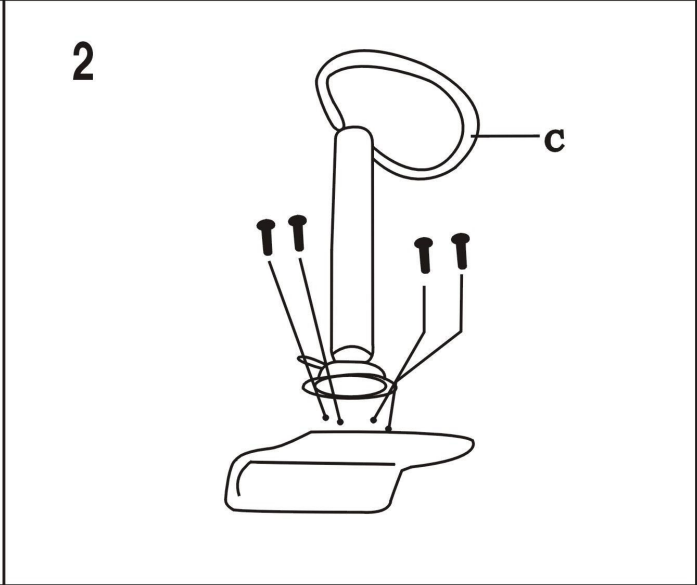
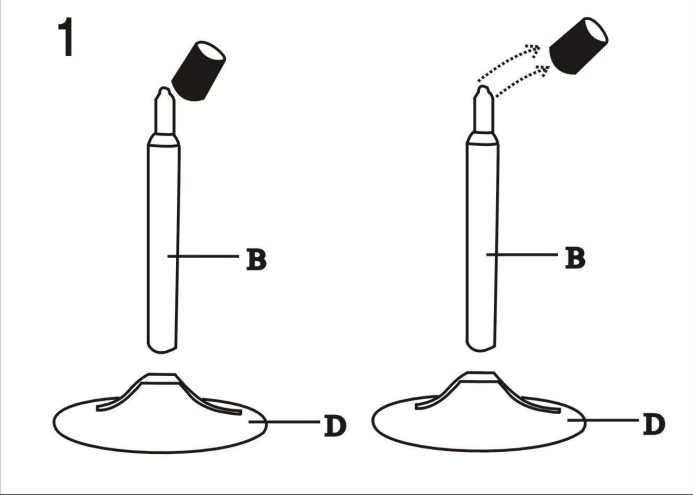




Please remove black cap from gas lift from part before assembly'



Article/Tell	Pieces/Anzahl	Article/Tell	Pieces/Anzahl
A	4		
B	1		
C	1		
D	1		
E	1		
F	1		