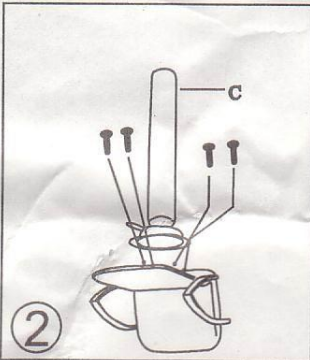
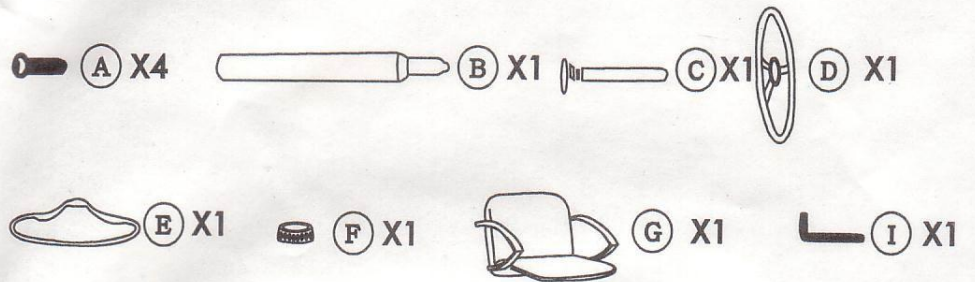
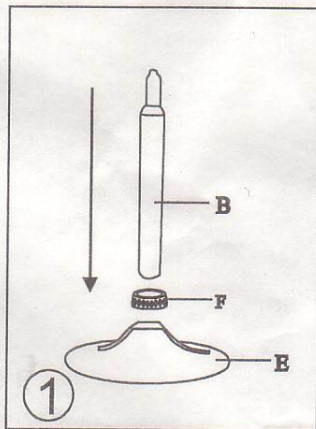


M-90019 Bar Chair

ASSEMBLY & CARE INSTRUCTIONS

PARTS LIST



Please remove black cap from gas lift part before assembly'

BEFORE YOU START

Ensure that you have sufficient workspace.
Check that you have all parts listed above.

STEP 1

Place the collar(F) onto the base(E) and then insert the strut(B) into the base. Ensure that the strut is firmly located in the base.

STEP 2

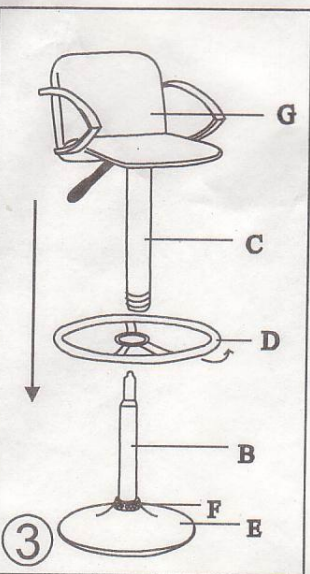
Screw the footrest(C) onto the seat(G). Ensure that it is tight.

STEP 3

Screw footrest (D) to strut (C), place the whole seat with strut and footrest over gas lift and apply downward pressure until it "clicks" into place.

STEP 4

Pull lever up to extend to full height



To descend to desired height, you must be sat on the stool and pull the lever upwards.

NOTE: THE STOOL WILL ONLY DESCEND ONCE YOU ARE SEATED.

